

Instructions for use – BioCompact II

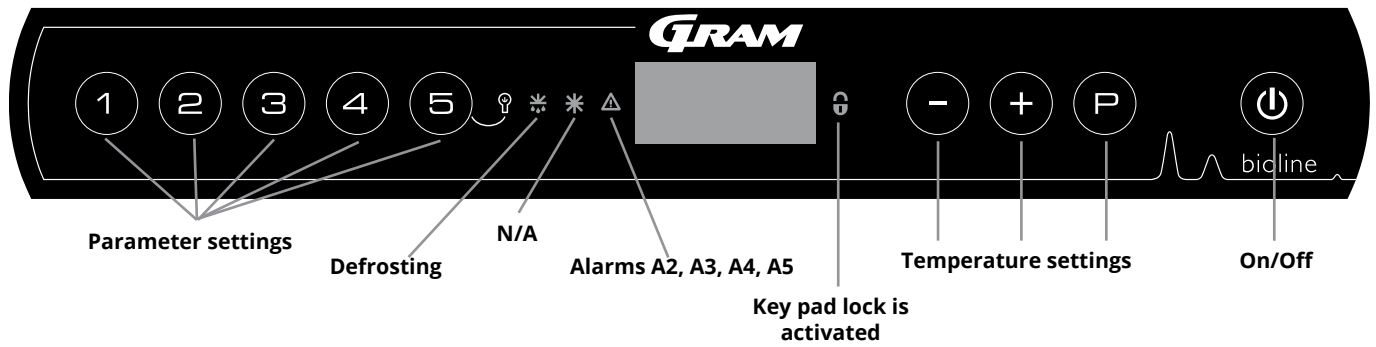
Models: 210/310/410/610



Original Instructions for use

Item nr. 765042589
Revision nr. 20220926
English

Quick guide – BioCompact II



On/Off

Press the button to turn the cabinet on. Press the button for 6 seconds to turn the cabinet off. The software version of the cabinet will be shown when turning the cabinet on, followed by the software variant. The cabinet is ready when the temperature is displayed. The cabinet will automatically start a defrost-cycle when turned on, and terminate it again after a system check.

Setting the temperature

Temperature adjustments are done by holding the button and pressing either or . Confirm the settings by letting go of the buttons.

Lighting inside the cabinet – Only applicable to BioCompact II cabinets with glass door

The settings for the lighting inside the cabinet can be changed by pressing and holding for 3 seconds. There are two settings:

- 1) Light turns on when the door is open (off when closed)
- 2) Light is always on

User menu and alarm settings

Menu Access + →	↓	→		Display code and its message
Local alarm settings	LAL	LHL	[° C]	Upper temperature limit. Code for activated alarm [A2]
		LLL	[° C]	Lower temperature limit. Code for activated alarm [A3]
		LHd	[min.]	Delay of upper temperature limit
		LLd	[min.]	Delay of lower temperature limit
		dA	On/off	Door alarm. Code for activated alarm [A1]. [1=on/0=off]
		dAd	[min.]	Delay of door alarm
		bU	On/off	Acoustic signal for alarm codes [A1], [A2] and [A3]. [1=on/0=off]
Offset of sensors	CAL	CA	[K]	Offset setting for A-sensor. Reference sensor for the refrigeration system
		CE	[K]	Offset setting for E-sensor. Reference sensor for the display and alarms
		CF	[K]	Offset setting for F-sensor. Reference sensor for the low-temperature protection
Low-temperature protection	FP	ACt	On/off	Activation/deactivation of low-temperature protection
		tES	On	Test of low-temperature protection
		SEt	[° C]	Setting of the cut-off temperature for the low-temperature protection
		PrE	[...]	Read-out of the real-time temperature of the F-sensor
		ALL		Activation of escorted alarm limits. [FAS]=locked limits/[ESC]=follows setpoint
		dEF		Number of defrosts per 24 hours (4 is factory setting)
		dPS		Reference sensor for the display (A, E or F)

Example: Setting the upper limits for the alarms; LHL

- ↳ Press and hold (P) + (1) until the display shows LAL
- ↳ Press (P) to select LAL, LHL is now shown in the display
- ↳ Press (P) to select LHL, 25 is shown in the display
- ↳ Press (-) or (+) to set the desired value for the upper temperature limit
- ↳ Press (P) to confirm the set value
- ↳ Press (0) to return to LHL
- ↳ Press (+) to reach the next level, LLL
- ↳ LHd, LLd, dA, dAd and bU are located on the same level
- ↳ Press (0) three times to leave the user menu

Alarms

Alarm codes	A1	Door alarm
	A2	The upper alarm limits, (LHL) is or has been activated
	A3	The lower alarm limits, (LLL) alarm is or has been activated

Acknowledging an acoustic alarm

Alarm code A1: Press (P) to acknowledge. Temperature alarm codes A2 and/or A3: Flashes in the display. Press (P) to acknowledge. The display will continue to flash if the temperature is outside the alarm limits.

Latching alarms: A2, A3, A4, A5

Due to the potential implications of alarms, the red danger triangle light will continue to remain on to warn the user of an alarm having occurred. Regardless of acknowledging, the light will remain on until an alarm history reset has been performed (holding (-) and (+) for more than 3 seconds), note that this will also reset temperature and alarm history.

Reading Max/Min temperature

Read the highest recorded temperature inside the cabinet by holding down (+). Read the lowest recorded temperature inside the cabinet by holding down (-).

Reading the alarm history – Example [A2]

[A2] flashes in the display – This means that the temperature has exceeded the set value for the upper temperature limit, LHL. Press (P) to acknowledge the [A2]. The display continues to flash, indicating that there is information in the alarm history. Press (+), Htt (High temperature time) is shown, press (P) to see for how long the temperature was above the set alarm limit. Press (0) to return to Htt. Press (+) to reach Ht (Highest temperature). Press (P) to read the highest recorded temperature during Htt. Press (0) to return to Ht and press (0) again to leave the alarm history function. The procedure for reading an [A3] alarm is identical, apart from entering the alarm history with the (-) button. When reading out temperatures below set limits, the parameters are Ltt and Lt. A flashing display with no alarm codes indicates that the alarm codes have been acknowledged, but the alarm system contains information.

Resetting Max/Min and alarm history

Resetting of the Max/Min and alarm history is done by holding (-) and (+) for more than 3 seconds, an acoustic signal will be given when reset is complete.

Sensor read-out and error codes

Menu Access (P) + (5) →	↴	(P) → [° C]	Display code and its message	
Sensor for refrigeration system	P-A	Value on sensor for refrigeration system	F1	Error on sensor for refrigeration system
Sensor for evaporator	P-b	Value for evaporator sensor	F2	Error on evaporator sensor
Sensor for condensor	P-C	Value for condensor sensor	F3	Error on condensor sensor
Sensor 2 for condensor	P-d	Value for condensor sensor 2	F4	Error on condensor sensor 2
Sensor for display and alarms	P-E	Value for display and alarm sensor	F5	Error on sensor for display and alarm
Sensor for low-temperature protection	P-F	Value for low-temperature protection sensor	F6	Error on sensor for low-temperature protection
An overheated condensor can be caused by a clogged condensor – clean the condensor			F7	Overheated condensor
Open door indicator. Alarm [A1] will activate if the door is open longer than alarm limits.			-0-	Door open

Table of Content

Quick guide – BioCompact II	2	General info	44
Table of Content	4	Service	44
Before you proceed	5	Type/number plate.....	44
Cabinet components	6	Defrost water	45
BioCompact II 210, 310, 410, 210/210, 310/210.....	6	Access port	46
BioCompact II 610	8	Important.....	47
Installation	10	Disposal	48
Initial setup steps	10	GMP Documentation	49
Anti tilt bracket	12	IQ, OQ & PQ.....	49
Surroundings	14	Datasheet	50
Voltage-free contact.....	16	BioCompact II 210, 310, 410, 210/210, 310/210	50
Connection to power	18	BioCompact II RR210H.....	51
Equipotential bonding	20	BioCompact II RR310H.....	52
Start-up	23	BioCompact II RR410H.....	53
The digital display.....	23	BioCompact II RF210H	54
Walkthrough of menu	24	BioCompact II RF310H.....	54
Error codes	25	BioCompact II RF410H.....	55
Local alarm settings	26	BioCompact II RR210/RR210H	56
Local high alarm	26	BioCompact II RR210/RF210H.....	57
Local low alarm.....	26	BioCompact II RF210/RF210H.....	58
Local alarm settings.....	27	BioCompact II RR310/RF210H.....	59
On/Off local door alarm	28	BioCompact II RR210G.....	60
Delay for local door alarm.....	28	BioCompact II RR310G.....	61
Local acoustic settings.....	29	BioCompact II RR410G.....	62
External alarm settings	30	BioCompact II RF210G	63
External high alarm	30	BioCompact II RF310G.....	63
External low alarm	30	BioCompact II RF410G.....	64
External high alarm delay	31	BioCompact II RR210/RR210G	65
External low alarm delay.....	31	BioCompact II RR210/RF210G.....	66
On/Off external door	32	BioCompact II RF210/RF210G.....	67
External door alarm delay alarm	32	BioCompact II RR310/RF210G.....	68
External acoustic settings	33	BioCompact II RR610H.....	70
Parameter settings	34	BioCompact II RF610H	71
Sensor offset	34	BioCompact II RR610G.....	73
Escorted/set alarm limits.....	36	BioCompact II RF610G	74
Defrosts/24 hours	37	Declaration of conformity	76
Display sensor.....	38	Wiring diagram	80
Electric low temperature protection	39	BioCompact II RR210/310/410	80
Ordinary use	40	BioCompact II RR610 – with solid door	81
Regular maintenance	42	BioCompact II RF610 – with solid door	82
Cleaning.....	42	BioCompact II RR610 – with glass door.....	83
Door gasket.....	43	BioCompact II RR610 – with solid door, with LTP	84
		BioCompact II RR610 – with glass door, with LTP	85
		Piping diagram	86

Copyright © 2006- Gram BioLine, a division of Gram Commercial, Denmark. All rights reserved.

The content of this publication is owned by Gram BioLine, unless otherwise noted, and is protected by Danish and international copyright laws and provisions. Information and images may not be used, copied or transferred without the express written permission of Gram BioLine.

Manufactured by
Gram Commercial
Aage Grams Vej 1 · 6500 Vojens · Denmark
Tel: +45 73 20 13 00
e-mail: info@gram-bioline.com · www.gram-bioline.com
Gram Commercial, filial af Hoshizaki Europe BV, Holland

Before you proceed

Make sure to read the instructions for use through thoroughly before using the cabinet for the first time. In the event of need for product support, do not hesitate to contact us at: support@gram-bioline.com

This instructions for use is intended for the following product series:

BioCompact II

We recommend that you read this instructions for use through thoroughly before using the cabinet for the first time. Gram Commercial does not guarantee safe operation if the cabinet is used for anything other than its intended use. Contents of the instructions for use can be subject to change without notice. No part of this instructions for use may be reproduced in any form without expressed written consent of Gram Commercial. Gram Commercial guarantees the cabinet under certain warranty conditions. Gram Commercial is in no way responsible for any loss or damage of content. This instructions for use should be considered an integral part of the cabinet, and should be stored close to the cabinet and be easy to access. If the instructions for use is lost, please refer to your local distributor or Gram Commercial for a replacement. For current versions of the manual, please go to www.gram-bioline.com.

Intended use

BioCompact II refrigerators (RR) and freezers (RF) are designed and manufactured to provide safe and precise conditions for the items stored. The cabinets are designed for the following operating ranges:

RR +2/+20°C

RF -25/-5°C.

At the maximum ambient temperature specified in this instructions for use, and a maximum relative humidity of 70%. The user must ensure that the cabinet is used in accordance with its intended use.

Abnormal use or use conflicting with the intended use or guidelines stipulated in the product documentation can lead to: danger to patient safety, damage to stored items, damage to cabinet, danger to user.

Gram BioLine equipment is designed to be used in a system with monitored additional independent alarms to ensure timely reaction to alarms and thereby maximum item safety.

Symbols used throughout the instructions for use



Hazard



Risk of fire/flammable materials



Risk of electric shock



Risk of explosion/explosive materials



Risk of material damage



Info



Risk of personal injury



ATEX information

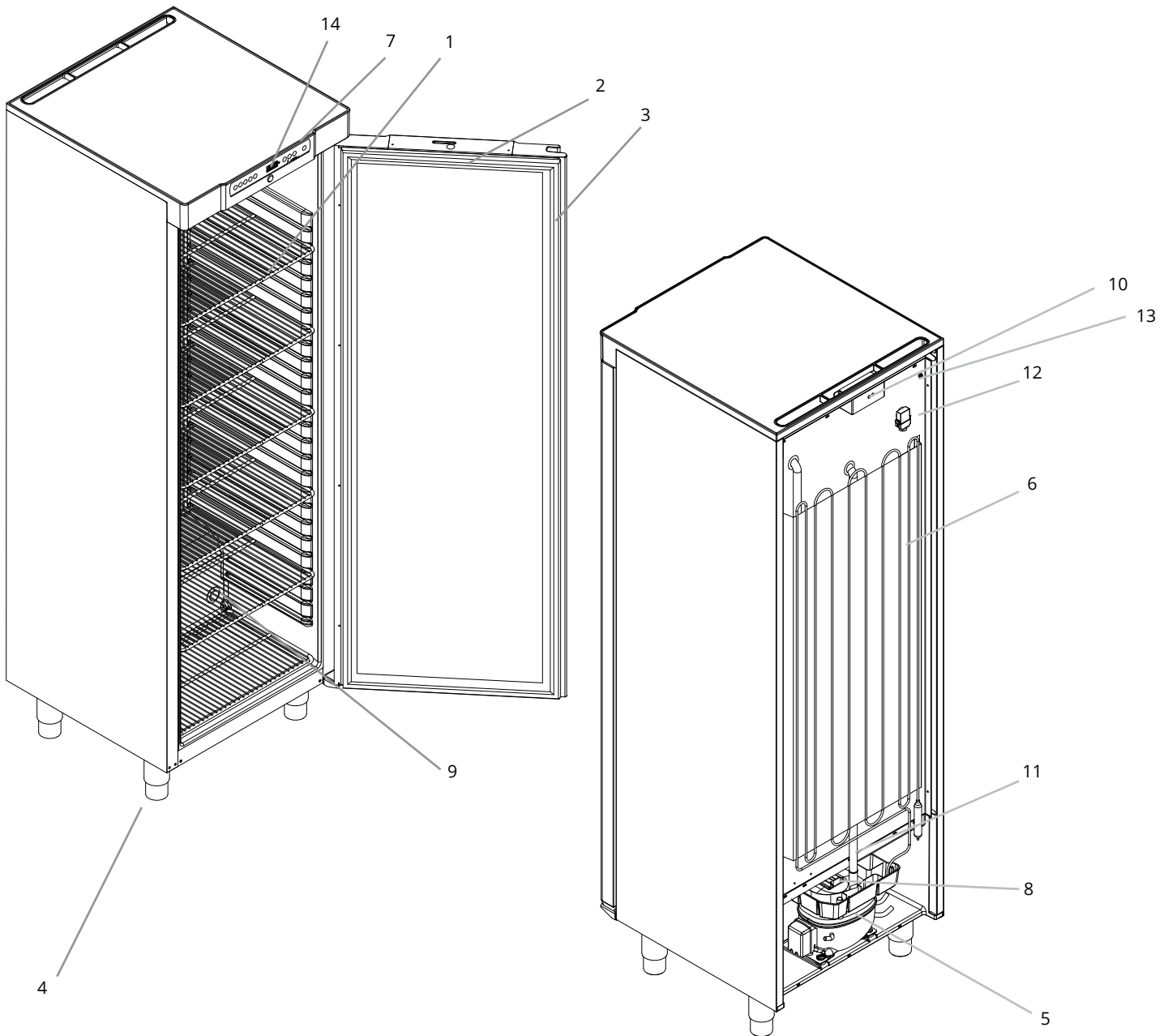


Risk of burning/freezing

Cabinet components

BioCompact II 210, 310, 410, 210/210, 310/210

This part describes the main components pertinent to the user.



ATTENTION -

In the event of technical difficulties or breakdown, always contact Gram BioLine technical support or a Gram BioLine authorized service partner.

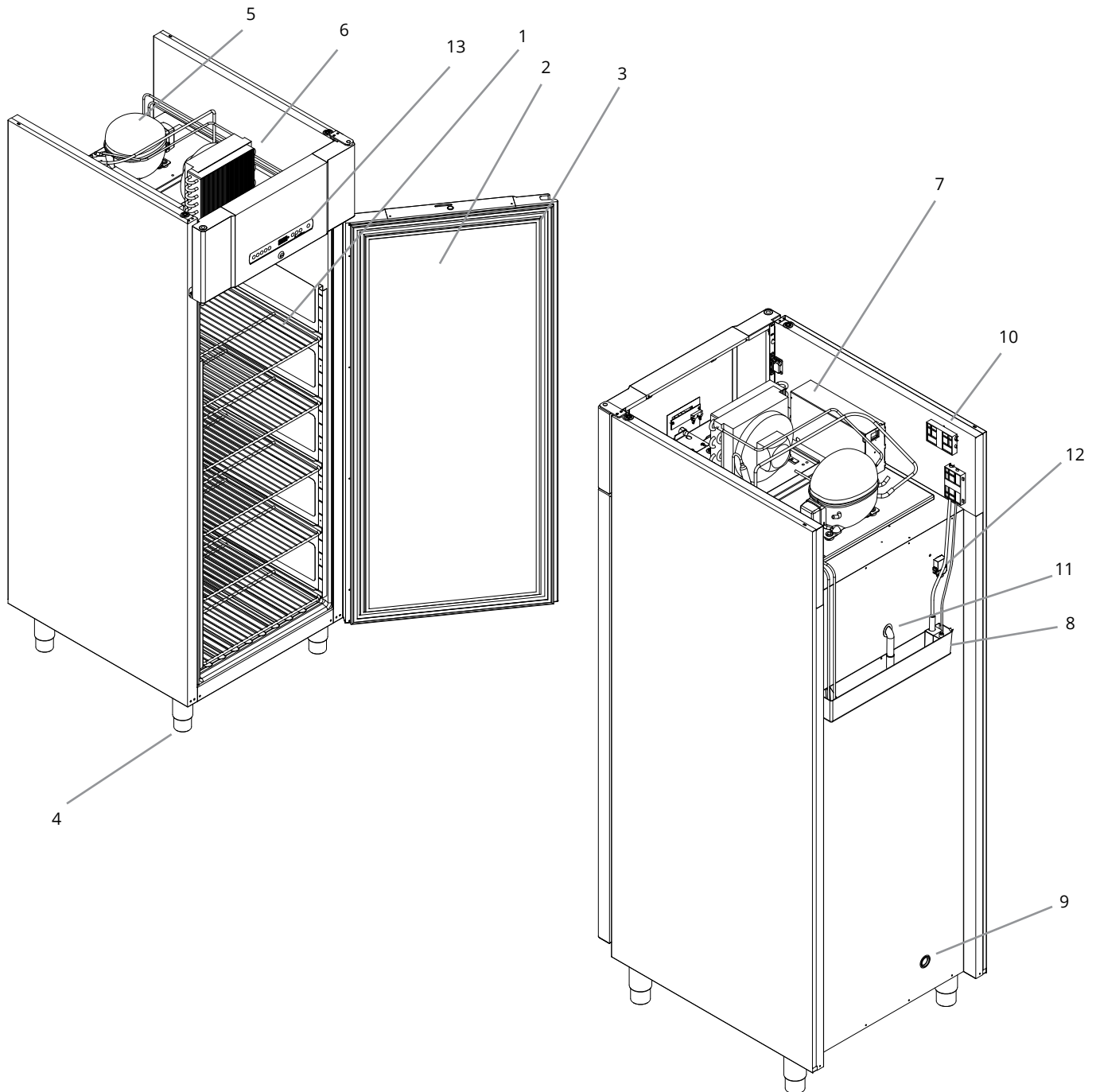
- 1. Shelves, drawers and wall rails**
Ensure that the shelves are mounted according to this instructions for use, before exerting load on them.
- 2. Door**
Ensure that the door is closed completely after use.
To minimize fluctuations in temperature, make the door openings as brief as possible.
- 3. Gasket for door**
Ensure that the gasket is pliable and in good working order.
Keep clean, find instructions in this instructions for use.
- 4. Base of cabinet**
Ensure cabinets with legs are levelled properly and cabinets with castors are placed on a level surface and locked as specified in this instructions for use.
- 5. Compressor**
Ensure it is not dented or shows any other signs of damage.
- 6. Condenser**
Like the compressor, ensure it is not dented or shows any other signs of damage.
- 7. Control box for refrigeration system**
Enclosure for controller, sensors and other parts that monitor and manage the refrigeration system.
Ensure it is not dented or shows any other signs of damage.
- 8. Re-evaporator tray**
Ensure it is not cracked or shows any other signs of damage.
It is recommended to clean it before applying power to the cabinet first time.
- 9. Access port**
Used to lead sensors and similar into the cabinet.
Ensure that the access port is sealed properly prior to start up.
- 10. Preload cover to access mains terminal and voltage free contact**
Used to connect to an external alarm system.
Instructions for connection is found in this instructions for use.
Remember to set external alarms (EAL).
- 11. Defrost water tube**
Outlet for the defrost water coming from the evaporator tray inside the cabinet.
Ensure its not damaged or shows sign of damage.
- 12. Pressure equalisation valve**
Do not use as access port. Keep it as free of ice as possible.
- 13. Equipotential bonding**
To ensure compliance with ATEX regulations EN 60079-14.
See installation section for specifications.
- 14. Digital display for controller**
Use the display to show the cabinet temperature and, to set the parameters described in this manual.

**ATTENTION -**

If parts show signs of damage; do not use cabinet and contact Gram BioLine or supplier for further aid.

BioCompact II 610

This part describes the main components pertinent to the user.



ATTENTION -

In the event of technical difficulties or breakdown, always contact Gram BioLine technical support or a Gram BioLine authorized service partner.

- 1. Shelves, drawers and wall rails**
Ensure that the shelves are mounted according to this instructions for use, before exerting load on them.
- 2. Door**
Ensure that the door is closed completely after use.
To minimize fluctuations in temperature, make the door openings as brief as possible.
- 3. Gasket for door**
Ensure that the gasket is pliable and in good working order.
Keep clean, find instructions in this instructions for use.
- 4. Base of cabinet**
Ensure cabinets with legs are levelled properly and cabinets with castors are placed on a level surface and locked as specified in this instructions for use.
- 5. Compressor**
Ensure it is not dented or shows any other signs of damage.
- 6. Condenser and fan**
Like the compressor, ensure it is not dented or shows any other signs of damage.
- 7. Control box for refrigeration system**
Enclosure for controller, sensors and other parts that monitor and manage the refrigeration system.
Ensure it is not dented or shows any other signs of damage.
- 8. Re-evaporator tray**
Ensure it is not cracked or shows any other signs of damage.
It is recommended to clean it before applying power to the cabinet first time.
- 9. Access port**
Used to lead sensors and similar into the cabinet.
Ensure that the access port is sealed properly prior to start up.
- 10. Access to voltage free contact**
Used to connect to an external alarm system.
Instructions for connection is found in this instructions for use.
Remember to set external alarms (EAL).
- 11. Defrost water tube**
This is the outlet for the defrost water coming from the evaporator tray inside the cabinet.
Ensure its not damaged or shows sign of damage.
- 12. Pressure equalisation valve**
Do not use as access port. Keep it as free of ice as possible.
- 13. Digital display for controller**
Use the display to show the cabinet temperature and, to set the parameters described in this manual.

**ATTENTION -**

If parts show signs of damage; do not use cabinet and contact Gram BioLine or supplier for further aid.

Installation

Initial setup steps

Due to safety and operating considerations, the cabinet must not be used outdoors.



The cabinet should be installed in a dry and sufficiently ventilated area.

To ensure efficient operation, the cabinet should not be installed in direct sunlight or close to heat sources.



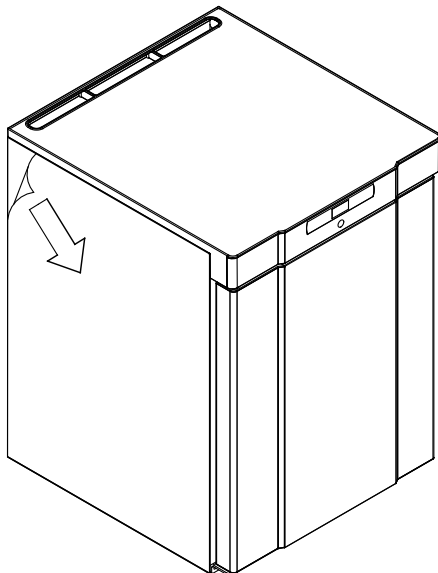
The cabinet interior must not be exposed to corrosive atmospheres.



Avoid placement of the cabinet in a chloric/acidic environment due to risk of corrosion.



The cabinet is shipped with a protective film that should be removed prior to use.



Ambient operating temperature range

Cabinet	Minimum ambient operating temperature	Maximum ambient operating temperature
BioCompact II 210, 310, 410, 210/210, 310/210		
RR with solid door	+10°C	+35°C
RR with glass door	+10°C	+32°C
RF	+10°C	+35°C
BioCompact II 610		
RR with solid door	+10°C	+43°C
RR with glass door	+10°C	+38°C
RF	+10°C	+43°C



Clean the cabinet with a mild soap solution prior to use.



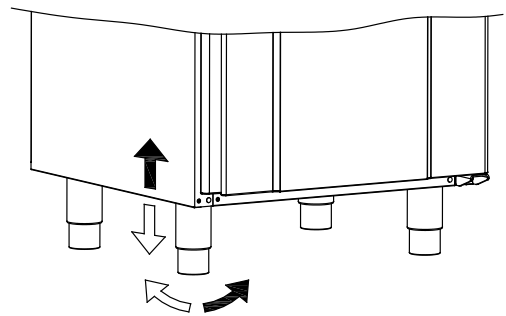
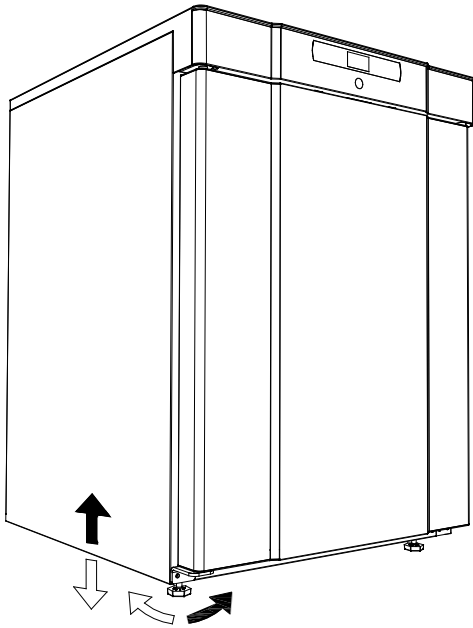
The cabinet is only allowed to lay down for very short durations (for instance handling through a doorway). If the cabinet has been laying down, the cabinet must stand up-right for at least 24 hours prior to use. This enables oil in the compressors to run back into place.



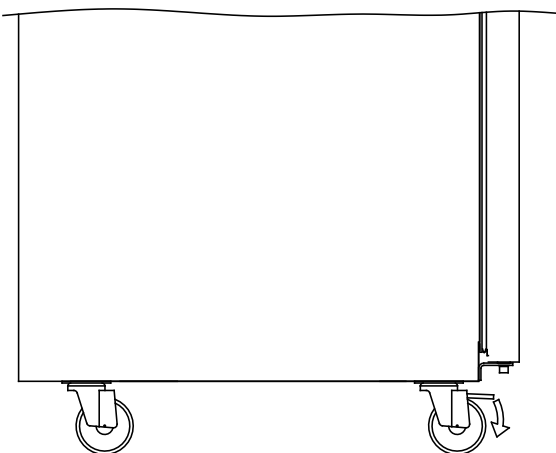
WARNING - Potential electrostatic hazard

Removing protective packaging and film may cause electrostatic discharge. Protective packaging and film shall not be removed in ATEX zones.

Cabinets equipped with legs should be levelled as shown in the illustration below.



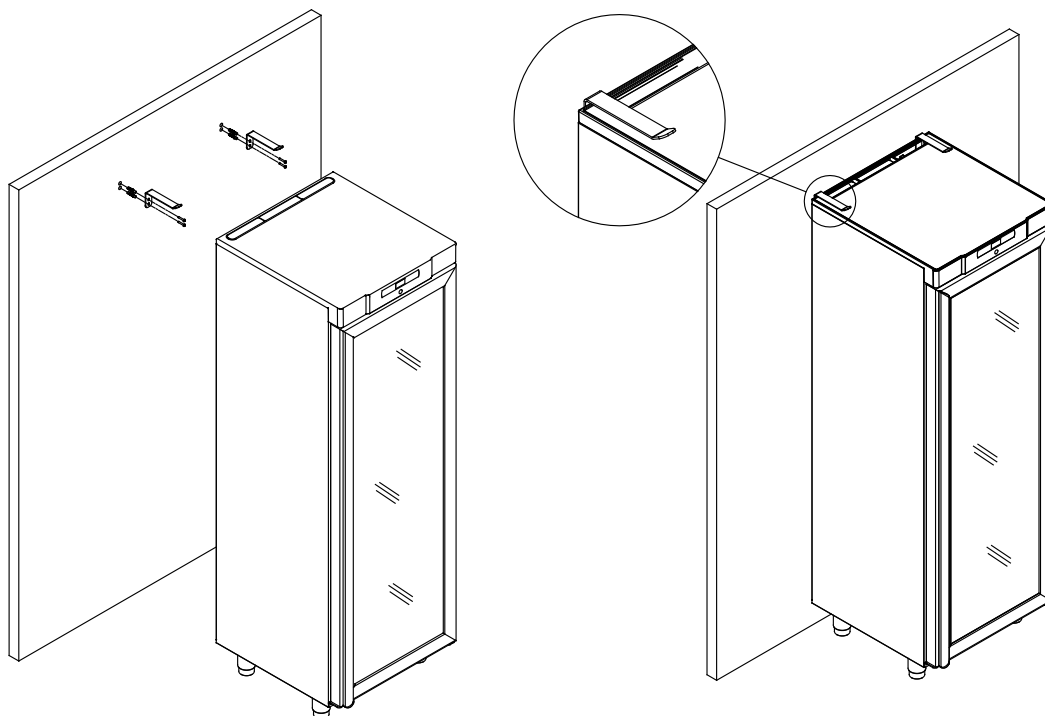
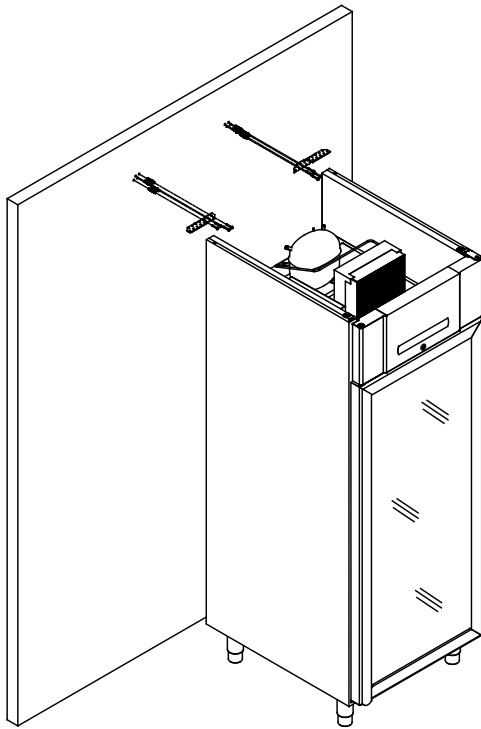
For cabinets equipped with castors, the floor must be level to ensure stable positioning and safe use. When the cabinet is positioned, the 2 front castors should be locked.



Anti tilt bracket



Cabinets with drawers and/or glass door must be secured to a stable vertical surface, ensuring that the cabinet can not tip over when the drawers are drawn to the outermost position, or the door is open. Brackets for securing is included. Find the instructions for the anti-tilt bracket below.

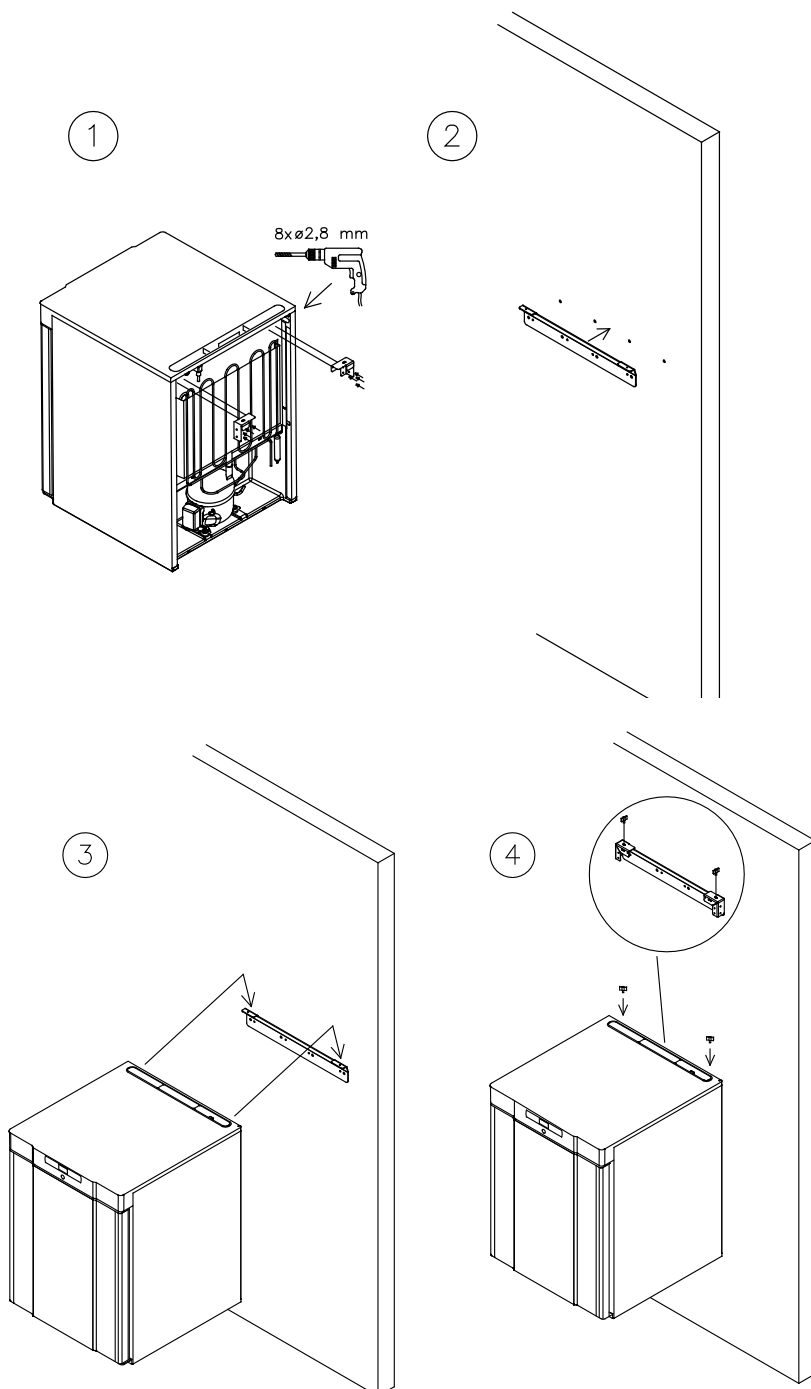




The anti-tilt brackets must be fitted when installing the cabinet, ensuring that the users, surroundings and stored items are not damaged by a tilting cabinet.



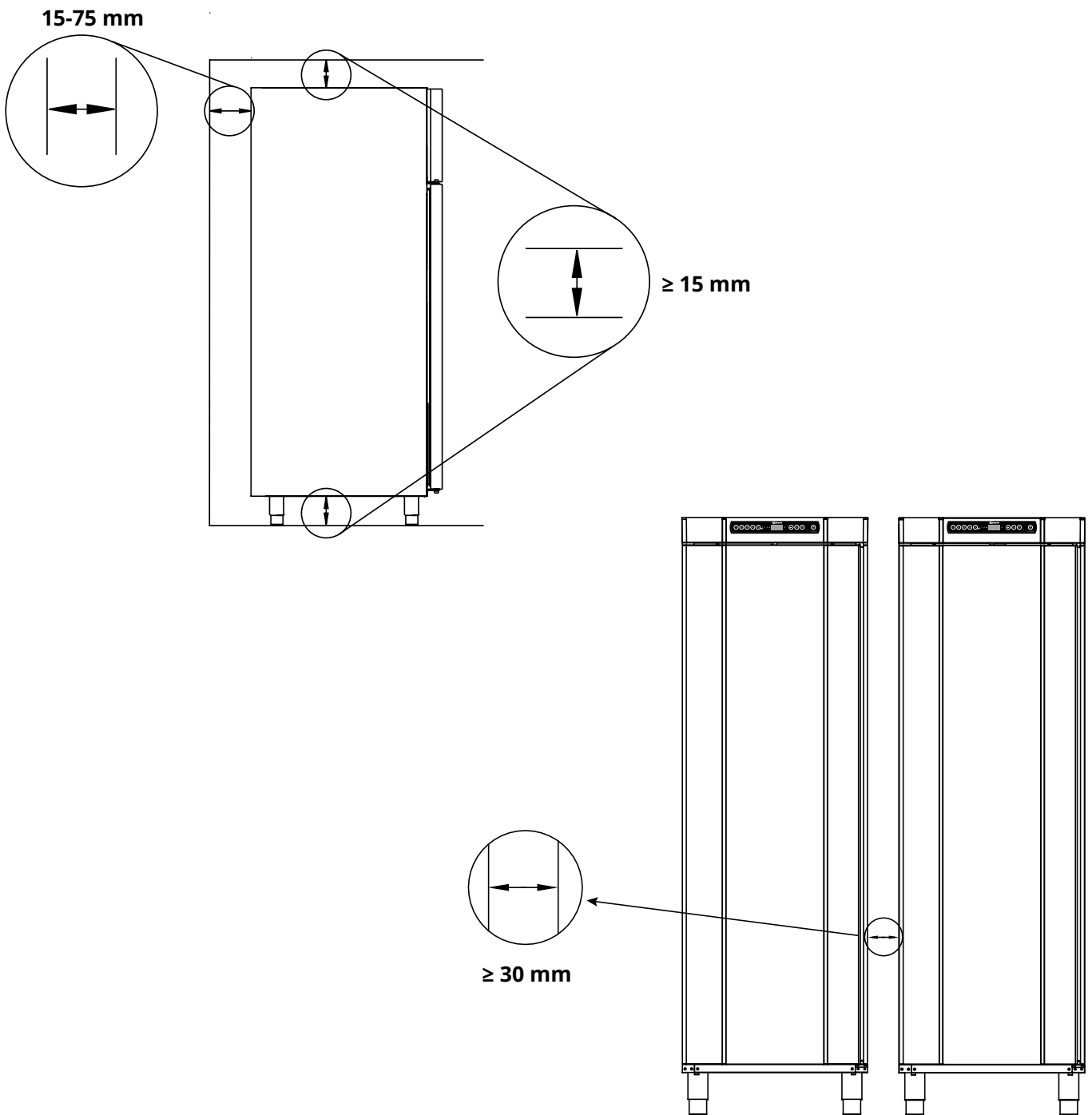
Find instructions on wall mounting of a BioCompact II 210 below, the same procedure applies for mounting 310, 210/210, 310/210 and 410.



Surroundings



The cabinet must be installed in accordance with the illustrations below.





Do not cover the upper part of the cabinet.



Do not use electrical appliances inside the cabinet.



The cabinet is not suited for storing items that emit vapours, as this might lead to deterioration of cabinet performance and/or longevity.



All items in the cabinet that are not encapsulated, or wrapped, should be covered to reduce the risk of deterioration of cabinet performance and/or longevity.



A visual inspection of the cabinet must be conducted prior to putting the cabinet into service.

Check the cabinets structural integrity, that door frames and doors do not have deformities, that gaskets seal properly and that the doors sit flush up against the door frame.



For Ex environments -

Open containers inside the storage chamber may impact the ATEX zone classification



For Ex environments -

Special conditions for safe use may apply to this product when installing in an EN 60079-14 environment. Please see corresponding Ex certificate for specifications.

Voltage free contact

The illustration shows the three connectors for the relay (used ex. in connecting to CTS or other external monitoring systems).

The three connections, are respectively. Common, NO and NC.

The moment when voltage is applied the controller draws the relay, this makes it possible for the controller to respond to both high and low alarms, door alarms and power failures.

Temperature alarms and door alarms must be configured in the external alarm settings (EAL) before they will activate the voltage free contact.

Find instructions on setting external alarms in the Parameter settings section.

Access to the voltage free contact is done according to the descriptions below:

BioCompact II 210, 310, 210/210, 310/210, 410

Unscrew the preload cover on the back of the cabinet to access the voltage free contact block.

Two different sized strain reliefs are mounted into the preload cover for a secure fitment of the wire for the voltage free contact.

Ensure that the preload cover is reinstalled after installing the voltage free contact.
The leaf spring in the preload cover must engage and preload the power supply plug.

Consult the section "Connection to power" for further information.

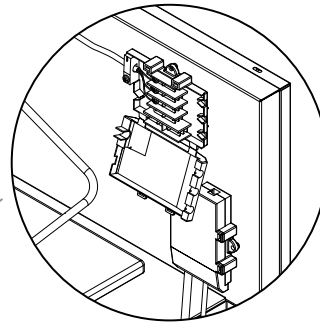
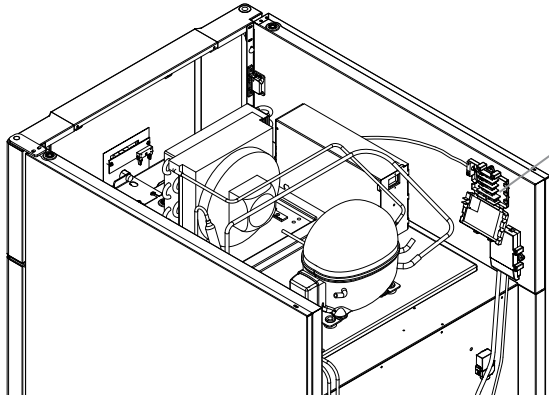
BioCompact II 610

The voltage free contact secured in place by the press-fit plate that is pressed onto the block, thereby also preventing access to the electrical circuit.

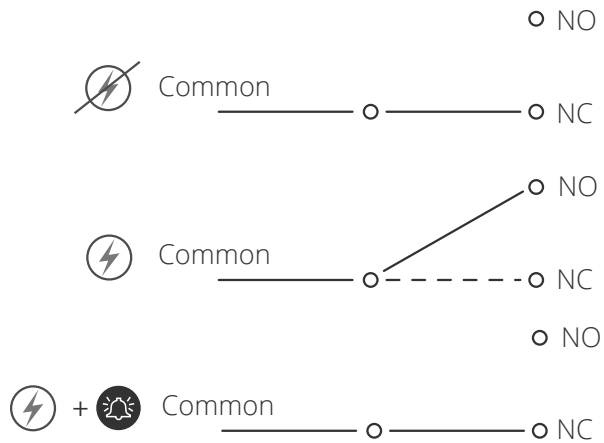
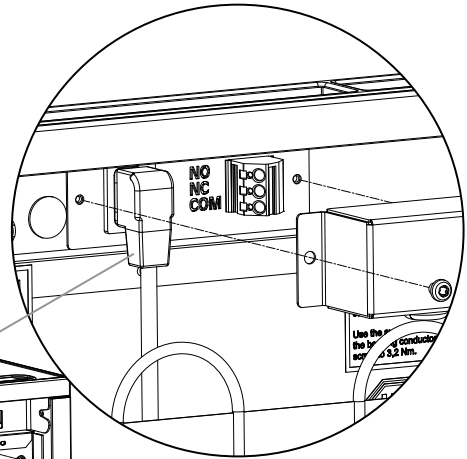
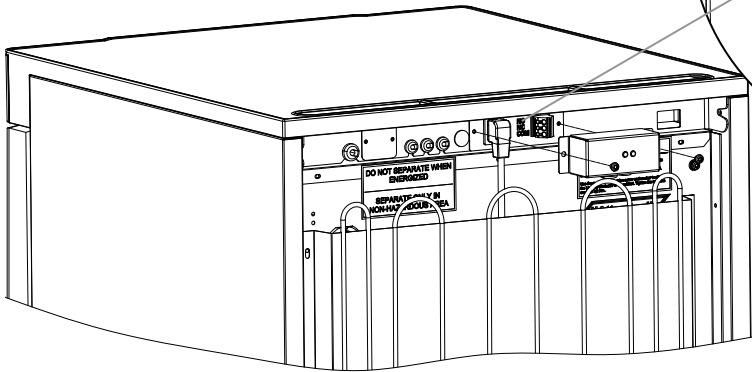
Connection of the voltage free contact should be done by a qualified installer.

Placement of voltage free contact

BioCompact II 610



BioCompact II 210, 310, 210/210, 310/210, 410



Normally closed circuit (NC)

Connection to power

Read the following part thoroughly before connecting the cabinet. Contact a qualified electrician if in doubt.

When setting up in an ordinary scenario that is not subject to regulations for EN 60079-15 zone 2

The appliance may be connected in accordance with applicable local heavy current regulations.

Note that there are special regulations for products that are in accordance with EN 60079-15 zone 2 and EN 60079-14: Explosive atmospheres – Electrical installations design, selection and erection.

The appliance has been manufactured in accordance with EN 60079-15: Electrical apparatus for explosive gas atmospheres – Part 15: Type of protection II 3G Ex ec nC ic IIB Tx Gc. Zone 2 is the applicable zone.

If the appliance is to be installed in a zone 2 environment, specialist personnel should perform the installation, or be consulted beforehand, in order to ensure that the appliance is installed in compliance with the guidelines currently contained in the standard.

The cabinet is intended for connection to alternating current. The connection values for voltage (V) and frequency (Hz) are given on the type/number plate.

BioCompact II 210, 310, 210/210, 310/210, 410

The mains terminal is accessed via the preload cover on the back of the cabinet. Unscrew the preload cover to access the mains supply terminal. Ensure that the preload cover is reinstalled after plugging in the power cord. The leaf spring in the preload cover must engage and preload the plug of the cord as shown in the illustrations below.

BioCompact II 610

The power cord is plugged in the terminal box on the back of the cabinet. The plug is then fixated in place by the hanger that is built into the terminal box.

Please note that the hanger should be fitted tightly around the plug, as shown.

In all cases, ensure that the mains plug is seated completely in the terminal on the cabinet.

The appliance must be connected to the external power supply using a suitable device which mechanically prevents the plug and socket from being separated unintentionally.

The connection must be labelled:

“DO NOT SEPARATE WHEN ENERGIZED”

ATTENTION

Fuses and similar must never be removed or replaced while the appliance is connected to a power source. The electrical terminal box must never be opened while the appliance is connected to a power source.

The compressor starting equipment must never be dismantled while the appliance is connected to a power source.

Whenever electrical components are dismantled or replaced, the appliance must be moved to an area in which there is no risk of ignition caused by the electrical components or gases contained in the appliance.

Never use the cabinet if the plug is damaged. The cabinet should be examined by a Gram Commercial service technician in such cases.

When setting up in an ordinary scenario that is not subject to regulations for Zone 2: The appliance may be connected in accordance with applicable local heavy current regulations.

In both cases

Use a three-wire plug, if the power outlet is intended for a three-wire plug, a the lead in green/yellow insulation should be connected to the ground terminal.

Power must be connected via a wall socket. The wall socket should be easily accessible.

All earthing requirements stipulated by the local electricity authorities must be observed. The cabinet plug and wall socket should then give correct earthing. If in doubt, contact your local supplier or authorized electrician.

For Ex environments –

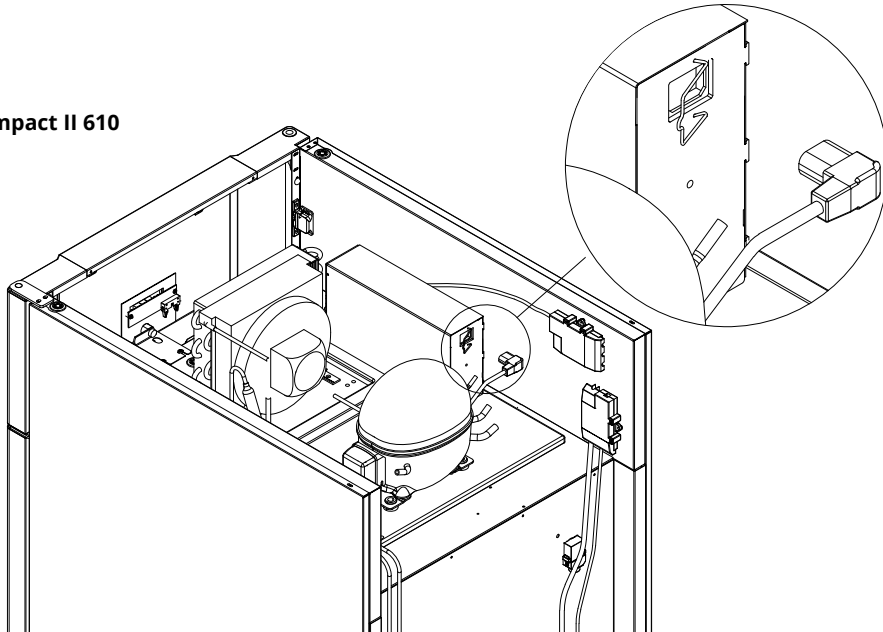


Special conditions for safe use may apply to this product when installing in an EN 60079-14 environment. Please see corresponding Ex certificate for specifications.

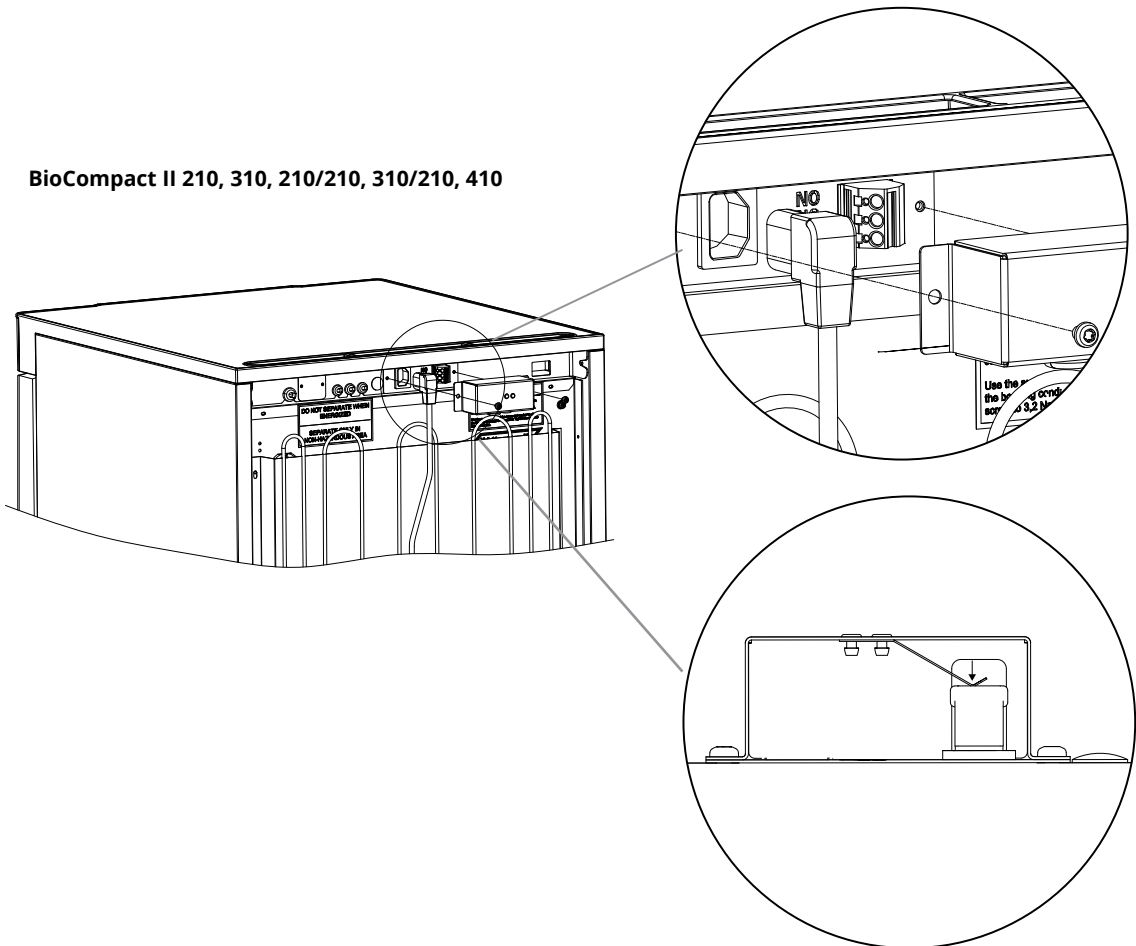
Technical Support –

In the event of technical difficulties always contact Gram BioLine technical support or a Gram BioLine authorized service partner. Never dismantle the terminal box or any other electrical component.

BioCompact II 610



BioCompact II 210, 310, 210/210, 310/210, 410



Equipotential bonding

Exclusively for the models – BioCompact II 210, 310, 410, 210/210, 310/210



For installation in ATEX Cat. 3 Zone 2 areas, it is mandatory to have a equipotential bonding, it is not sufficient to use protective earth through the mains connection.

To secure equipotential bonding of the unit – the mounted external bonding conductor must be used in accordance with national installation requirements e.g. EN 60079-14.

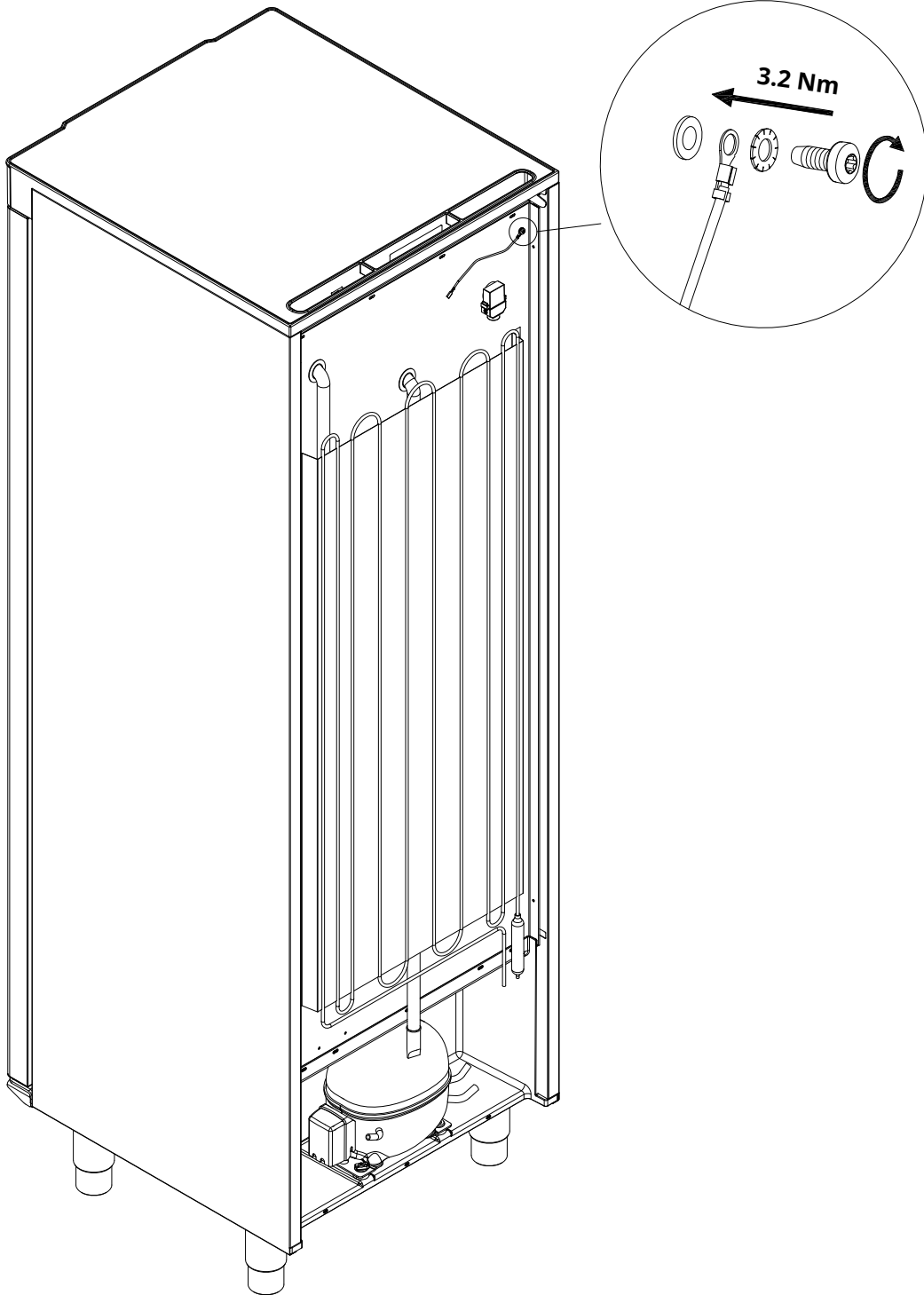
- Mounting of the bonding conductor should be done according to the following illustrations.
- Please find location for connection facilities on the back of the cabinet marked with: "Attention – Equipotential bonding".
- The bonding conductor should be at least 4 mm² guage.
- Use a ring terminal to ensure a dequate bonding.
- Use the supplied M5 machine screw and washer to attach the bonding conductor to the cabinet. Tighten the machine screw to 3.2 Nm.

Bonding of the cabinet is illustrated on the next page and the following.



ATTENTION –

Please note, this location is the only manufacturerer-approved location for Equipotential bonding.

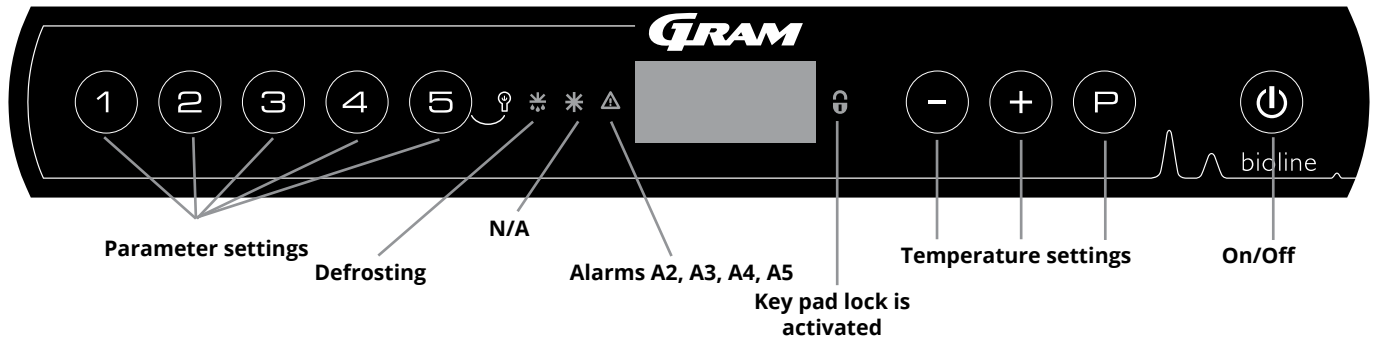




Start-up



The digital display



On/Off

Press to turn the cabinet on. Press for 6 seconds to turn the cabinet off. The software version of the cabinet will be shown when turning the cabinet on, followed by the software variant. The cabinet is ready when the temperature is displayed.

The cabinet will always commence operation when initially connected to a power supply. For instance after a power outage or when plugging the cabinet in for the first time.

- **Parameter setting**
Gives access to the cabinets configurable parameters, such as alarms, test program and sensor values.
- **Defrost**
Defrost in progress.
- **Key pad lock**
Keypad is locked, no access to functions or menus.
- **Temperature setting**
Setting of temperature setpoint and navigation in the menus.
- **On/Off**
Turn the cabinet On or Off, and navigation in the menus.

Temperature setting

Temperature adjustments are done by holding and pressing either or . Confirm the settings by letting go of the buttons.



Make sure the cabinet is switched off at the socket before service is performed on electrical parts.

It is not sufficient to switch off the cabinet on the key, as current will persist in some electrical parts of the cabinet.

If fuses or similar are to be replaced, the cabinet must be moved to a no-risk area.



WARNING -

DO NOT OPEN, MAINTAIN OR SERVICE IN AN AREA WHEN AN EXPLOSIVE ATMOSPHERE IS PRESENT



ATTENTION -

High and low temperature alarms set up in the cabinets' controller (including EAL alarms) must be accompanied by additional redundant independent external alarms to ensure maximum item safety.

All-round introduction to navigating the menu

Beyond setting the temperature and on/off, , , and is used to navigate the menus and set the parameters for the cabinet.

The buttons have following functions in the menus:

- Open a menu step/confirm a set value in the parameter settings.
- Scroll upwards in a given menu/raise a given value in parameter settings (alarm limit for instance).
- Scroll downwards in a given menu/lower a given value in parameter settings (alarm limit for instance).
- Go a menu step back.

Walkthrough of menu

Menu Access (P) + (1) →	↓	→		
Local alarm settings	LAL	LHL	[° C]	Upper alarm limit. Code for activated alarm [A2]
		LLL	[° C]	Lower alarm limit. Code for activated alarm [A3]
		LHd	[Min.]	Delay of upper alarm limit
		LLd	[Min.]	Delay of lower alarm limit
		dA	On/off	Door alarm. Code for activated alarm [A1]. [1=on/0=off]
		dAd	[Min.]	Delay of door alarm
		bU	On/off	Acoustic signal for alarm codes [A1], [A2] and [A3]. [1=on/0=off]
External alarm settings	EAL	EHL	[° C]	Upper alarm limit. Code for activated alarm [A4]
		ELL	[° C]	Lower alarm limit. Code for activated alarm [A5]
		EHd	[Min.]	Delay of upper alarm limit
		ELd	[Min.]	Delay of lower alarm limit
		dA	On/off	Door alarm. Code for activated alarm [A1]. [1=on/0=off]
		dAd	[Min.]	Delay of external door alarm
		bU	On/off	Acoustic signal for external alarm codes [A1], [A4], [A5]. [1=on/0=off]
Offset of sensors	CAL	CA	[° K]	Offset setting of A-sensor. Reference sensor for the refrigeration system
		CE	[° K]	Offset setting of E-sensor. Reference sensor for the display and alarms
		CF	[° K]	Offset setting of F-sensor. Reference sensor for the low temperature protection
Electric low temperature protection	FP	ACt	On/off	Activation/deactivation of low-temperature protection
		tES	On	Test of low-temperature protection
		SEt	[° C]	Setting of the cut-off temperature for the low-temperature protection
		PrE	[...]	Read out of the real-time temperature of the F-sensor
		ALL		Activation of escorted alarm limits. [FAS]=locked limits/[ESC]=follows setpoint
		dEF		Number of defrosts per 24 hours (4 is factory setting)
		dPS		Reference sensor for the display (A, E or F)

Buttons	Duration	Function
(P) + (U)	> 3 seconds	Start or stop a defrost
(U) + (1)	> 6 seconds	Activating/deactivating the keypad lock
(P)	-	Shows temperature setpoint value
(+)	-	Shows the highest registered temperature spike (since the last reset of alarm history)
(-)	-	Shows the lowest registered temperature spike (since the last reset of alarm history)
(+) + (-)	> 3 seconds	Reset alarm history
(P) + (1) + (3)	> 6 seconds	Restore to factory settings
(P) + (1)	> 3 seconds	Access to user menu and alarm settings

Lighting inside the cabinet – Only applicable to BioCompact II cabinets with glass doors

The settings for the lighting inside the cabinet can be changed by pressing and holding (5) for 3 seconds.

- There are two settings:
- 1) Light turns on when the door is open (off when closed)
 - 2) Light is always on

Display code	Explanation
- 0 -	Door is open
A1	Door alarm "dAd" from LAL and/or EAL has been activated
A2	Local upper alarm LHL is or has been activated
A3	Local lower alarm LLL is or has been activated
A4	External upper alarm EHL is or has been activated
A5	External lower alarm ELL is or has been activated
F1	Error on the main cabinet sensor. The refrigeration system will use an emergency program to make the cabinet run. Temperature stability will be affected. Service is required
F2	Error on the evaporator sensor. Service is required
F3	Error on the 1. condenser sensor. Service is required
F5	Error on the extra sensor. Service is required
F6	Error on low temperature protection sensor. Service is required
F7	F7 indicates that the temperature of the condenser is too high. Turn off the cabinet and check that the condenser is not covered by undesirable items, and ensure that the condenser (and possibly filter) is clean. Service is required if the problem is not alleviated

Acknowledge an acoustic alarm

Alarm code A1: Press **(P)** to acknowledge.

Temperature alarm codes A2 and/or A3: Flashes in the display. Press **(P)** to acknowledge.

The display will continue to flash if the temperature is outside the alarm limits.

Latching alarms: A2, A3, A4, A5

Due to the potential implications of alarms, the red danger triangle light will continue to remain on to warn the user of an alarm having occurred. Regardless of acknowledging, the light will remain on until an alarm history reset has been performed (holding **(-)** and **(+)** for more than 3 seconds), note that this will also reset temperature and alarm history.

Reading the alarm history – Example [A2]

[A2] flashes in the display – The temperature has exceeded the set value for the upper temperature limit, LHL.

Press **(P)** to acknowledge the [A2]. The display continues to flash, indicating that there is information in the alarm history.

Press **(+)**, Htt (High temperature time) is shown, press **(P)** to see for how long the temperature was above the set alarm limit.

Press **(U)** to return to Htt. Press **(+)** to reach Ht (Highest temperature). Press **(P)** to read the highest recorded temperature during Htt.

Press **(U)** to return to Ht and press **(U)** again to leave the alarm history.

The procedure for reading an [A3] alarm is identical, apart from entering the alarm history with **(-)**. When reading out temperatures below set limits, the parameters are Ltt and Lt.

A flashing display with no alarm codes indicates that the alarm codes have been acknowledged, but the alarm history contains information.

Resetting Max/Min and alarm history

Resetting of the Max/Min and alarm history is done by holding **(-)** and **(+)** for more than 3 seconds, an acoustic signal will be given when reset is complete.

Local alarm settings

Local high alarm Local low alarm

LHL – Setting the upper alarm limit [° C]

- ↳ Press and hold (P) + (1) for more than 3 seconds
 - ↳ Press (P) to select "LAL". "LHL" is now shown in the display
 - ↳ Press (P) to select "LHL". The upper alarm limit is now shown in the display
 - ↳ Press (-) or (+) to set the desired value for the upper alarm limit
 - ↳ Press (P) to confirm the set value
- The upper alarm limit is now set, proceed to other parameters by pressing (⏻), and then navigate by using (-) or (+).
- ↳ Leave the user menu by pressing (⏻) several times until the cabinet temperature is shown in the display

LLL – Setting the lower alarm limit [° C]

- ↳ Press and hold (P) + (1) for more than 3 seconds
 - ↳ Press (P) to select "LAL". "LHL" is now shown in the display
 - ↳ Press (+) to proceed to "LLL"
 - ↳ Press (P) to select "LLL". The lower alarm limit is now shown in the display
 - ↳ Press (-) or (+) to set the desired value for the lower alarm limit
 - ↳ Press (P) to confirm the set value
- The lower alarm limit is now set, proceed to other parameters by pressing (⏻), and then navigate by using (-) or (+).
- ↳ Leave the user menu by pressing (⏻) several times until the cabinet temperature is shown in the display



ATTENTION -

High and low temperature alarms set up in the cabinets' controller (including EAL alarms) must be accompanied by additional redundant independent external alarms to ensure maximum item safety.

Local alarm settings

LHd – Setting the delay of the local upper alarm limit [min.]

- ↳ Press and hold P + 1 for more than 3 seconds
 - ↳ Press P to select "LAL". "LHL" is now shown in the display
 - ↳ Press + several times until "LHd" is shown in the display
 - ↳ Press P to select "LHd". The delay of the upper alarm limit is now shown in the display
 - ↳ Press - or + to set the desired value for the delay of the upper alarm limit
 - ↳ Press P to confirm the set value
- The delay of the upper alarm limit is now set, proceed to other parameters by pressing P , and then navigate by using - or + .
- ↳ Leave the user menu by pressing P several times until the cabinet temperature is shown in the display

LLd – Setting the delay of the local lower alarm limit [min.]

- ↳ Press and hold P + 1 for more than 3 seconds
 - ↳ Press P to select "LAL". "LHL" is now shown in the display
 - ↳ Press + several times until "LLd" is shown in the display
 - ↳ Press P to select "LLd". The delay of the lower alarm limit is now shown in the display
 - ↳ Press - or + to set the desired value for the delay of the lower alarm limit
 - ↳ Press P to confirm the set value
- The delay of the lower alarm limit is now set, proceed to other parameters by pressing P , and then navigate by using - or + .
- ↳ Leave the user menu by pressing P several times until the cabinet temperature is shown in the display



ATTENTION -

High and low temperature alarms set up in the cabinets' controller (including EAL alarms) must be accompanied by additional redundant independent external alarms to ensure maximum item safety.

On/Off local door alarm

Delay for local door alarm

dA – Activate/deactivate of local door alarm

- ↳ Press and hold (P) + (1) for more than 3 seconds
 - ↳ Press (P) to select "LAL". "LHL" is now shown in the display
 - ↳ Press (+) several times until "dA" is shown in the display
 - ↳ Press (P) to select "dA".
 - ↳ Press (-) or (+) to activate/deactivate the local door alarm [1 = activated/0 = deactivated]
 - ↳ Press (P) to confirm the set value
- The local door alarm is now configured, proceed to other parameters by pressing (⏪), and then navigate by using (-) or (+).
- ↳ Leave the user menu by pressing (⏪) several times until the cabinet temperature is shown in the display

dAd – Setting the delay of the local door alarm [min.]

- ↳ Press and hold (P) + (1) for more than 3 seconds
 - ↳ Press (P) to select "LAL". "LHL" is now shown in the display
 - ↳ Press (+) several times until "dAd" is shown in the display
 - ↳ Press (P) to select "dAd". The delay of the local door alarm is now shown in the display
 - ↳ Press (-) or (+) to set the desired value for the delay of the local door alarm
 - ↳ Press (P) to confirm the set value
- The delay of the local door alarm is now configured, proceed to other parameters by pressing (⏪), and then navigate by using (-) or (+).
- ↳ Leave the user menu by pressing (⏪) several times until the cabinet temperature is shown in the display



ATTENTION –

High and low temperature alarms set up in the cabinets' controller (including EAL alarms) must be accompanied by additional redundant independent external alarms to ensure maximum item safety.

Local acoustic settings

bU – Activation/deactivation of the acoustic local alarms

- ↳ Press and hold P + 1 for more than 3 seconds
 - ↳ Press P to select "LAL". "LHL" is now shown in the display
 - ↳ Press + several times until "bU" is shown in the display
 - ↳ Press P to select "bU".
 - ↳ Press - or + to activate/deactivate the local acoustic alarms [1 = activated/0 = deactivated]
 - ↳ Press P to confirm the set value
- The local acoustic alarms is configured, proceed to other parameters by pressing ⏏ , and then navigate by using - or + .
- ↳ Leave the user menu by pressing ⏏ several times until the cabinet temperature is shown in the display



ATTENTION -

High and low temperature alarms set up in the cabinets' controller (including EAL alarms) must be accompanied by additional redundant independent external alarms to ensure maximum item safety.

External alarm settings

External high alarm External low alarm

EHL – Setting the external upper alarm limit [° C]

- ↳ Press and hold (P) + (1) for more than 3 seconds
 - ↳ Press (+) several times until "EAL" is shown in the display
 - ↳ Press (P) to select "EAL". "EHL" is now shown in the display
 - ↳ Press (P) to select "EHL". The external upper alarm limit is now shown in the display
 - ↳ Press (-) or (+) to set the desired value for the external upper alarm limit
 - ↳ Press (P) to confirm the set value
- The external upper alarm limit is now set, proceed to other parameters by pressing (⏪), and then navigate by using (-) or (+).
- ↳ Leave the user menu by pressing (⏩) several times until the cabinet temperature is shown in the display

ELL – Setting the external lower alarm limit [° C]

- ↳ Press and hold (P) + (1) for more than 3 seconds
 - ↳ Press (+) several times until "EAL" is shown in the display
 - ↳ Press (P) to select "EAL". "EHL" is now shown in the display
 - ↳ Press (+) to proceed to "ELL"
 - ↳ Press (P) to select "ELL". The external lower alarm limit is now shown in the display
 - ↳ Press (-) or (+) to set the desired value for the external lower alarm limit
 - ↳ Press (P) to confirm the set value
- The external lower alarm limit is now set, proceed to other parameters by pressing (⏪), and then navigate by using (-) or (+).
- ↳ Leave the user menu by pressing (⏩) several times until the cabinet temperature is shown in the display



ATTENTION -

High and low temperature alarms set up in the cabinets' controller (including EAL alarms) must be accompanied by additional redundant independent external alarms to ensure maximum item safety.

External high alarm delay External low alarm delay

EHD – Setting the delay of the external upper alarm limit [min.]

- ↳ Press and hold (P) + (1) for more than 3 seconds
 - ↳ Press (+) to proceed to "EAL"
 - ↳ Press (P) to select "EAL". "EHL" is now shown in the display
 - ↳ Press (+) several times until "EHd" is shown in the display
 - ↳ Press (P) to select "EHd". The external delay of the upper alarm limit is now shown in the display
 - ↳ Press (-) or (+) to set the desired value for the external delay of the upper alarm limit
 - ↳ Press (P) to confirm the set value
- The delay of the external upper alarm limit is now set, proceed to other parameters by pressing (⏏), and then navigate by using (-) or (+)
- ↳ Leave the user menu by pressing (⏏) several times until the cabinet temperature is shown in the display

ELd – Setting the delay of the external lower alarm limit [min.]

- ↳ Press and hold (P) + (1) for more than 3 seconds
 - ↳ Press (+) to proceed to "EAL"
 - ↳ Press (P) to select "EAL". "EHL" is now shown in the display
 - ↳ Press (+) several times until "ELd" is shown in the display
 - ↳ Press (P) to select "ELd". The delay of the external lower alarm limit is now shown in the display
 - ↳ Press (-) or (+) to set the desired value for the delay of the lower alarm limit
 - ↳ Press (P) to confirm the set value
- The delay of the external lower alarm limit is now set, proceed to other parameters by pressing (⏏), and then navigate by using (-) or (+).
- ↳ Leave the user menu by pressing (⏏) several times until the cabinet temperature is shown in the display



ATTENTION -

High and low temperature alarms set up in the cabinets' controller (including EAL alarms) must be accompanied by additional redundant independent external alarms to ensure maximum item safety.

On/Off external door External door alarm delay alarm

dA – Activation/deactivation of external door alarm

- ↳ Press and hold (P) + (1) for more than 3 seconds
 - ↳ Press (+) to proceed to "EAL"
 - ↳ Press (P) to select "EAL". "EHL" is now shown in the display
 - ↳ Press (+) several times until "dA" is shown in the display
 - ↳ Press (P) to select "dA"
 - ↳ Press (-) or (+) to activate/deactivate the external door alarm [1 = activated/0 = deactivated]
 - ↳ Press (P) to confirm the set value
- The external door alarm is now configured, proceed to other parameters by pressing (⏏), and then navigate by using (-) or (+)
- ↳ Leave the user menu by pressing (⏏) several times until the cabinet temperature is shown in the display

dAd – Setting the delay of the external door alarm [min.]

- ↳ Press and hold (P) + (1) for more than 3 seconds
 - ↳ Press (+) to proceed to "EAL"
 - ↳ Press (P) to select "EAL". "EHL" is now shown in the display
 - ↳ Press (+) several times until "dAd" is shown in the display
 - ↳ Press (P) to select "dAd". The delay of the external door alarm is now shown in the display
 - ↳ Press (-) or (+) to set the desired value for the delay of the external door alarm
 - ↳ Press (P) to confirm the set value
- The delay of the external door alarm is now configured, proceed to other parameters by pressing (⏏), and then navigate by using (-) or (+)
- ↳ Leave the user menu by pressing (⏏) several times until the cabinet temperature is shown in the display



ATTENTION -

High and low temperature alarms set up in the cabinets' controller (including EAL alarms) must be accompanied by additional redundant independent external alarms to ensure maximum item safety.

External acoustic settings

bU – Activation/deactivation of the acoustic external alarms

- ↳ Press and hold (P) + (1) for more than 3 seconds
 - ↳ Press (+) to proceed to "EAL"
 - ↳ Press (P) to select "EAL". "EHL" is now shown in the display
 - ↳ Press (+) several times until "bU" is shown in the display
 - ↳ Press (P) to select "bU"
 - ↳ Press (-) or (+) to activate/deactivate the external acoustic alarms [1 = activated/0 = deactivated]
 - ↳ Press (P) to confirm the set value
- The external acoustic alarms is configured, proceed to other parameters by pressing (⏪), and then navigate by using (-) or (+).
- ↳ Leave the user menu by pressing (⏪) several times until the cabinet temperature is shown in the display



ATTENTION –

High and low temperature alarms set up in the cabinets' controller (including EAL alarms) must be accompanied by additional redundant independent external alarms to ensure maximum item safety.

Parameter settings

Sensor offset

The temperature sensors connected to MPC controller can be offset independently of each other in the parameter cAL.

Offset is used in cases where there are deviations in the cabinets actual operation compared to the display and/or control measurements by independent temperature monitoring.

The cabinet is equipped with a A-sensor, an extra sensor E-sensor and an optional F-sensor.

The A-sensor is used to manage the cabinets refrigeration system and is fixated in a given position in the cabinet, not in storage space. The location of the A sensor must not be altered.

The E-sensor is placed in the cabinet storage space and can be moved around in the cabinet to get the desired reference point for temperature. The E-sensor is the default display sensor and reference for the alarms. The E-sensor has no effect on control of the refrigeration system.

The F-sensor is placed inside the storage space, close to the airflow of the cold air exiting the air distribution system. The location of the F-sensor must not be altered as this will have an effect on when the low temperature protection activates.

The A-sensor should be offset if the actual temperature in the cabinet does not match the setpoint, despite taking the hysteresis into consideration. Offset of A sensor is named "cA".

The E-sensor should be offset if the actual temperature in the cabinets display, provided that the display sensor for reference is the E-sensor, does not match the independent temperature monitoring used for control. Offset of E-sensor is named "cE"

The F-sensor should be offset if the cut-off temperature for the low temperature protection, does not match the setpoint temperature for the low temperature protection. Offset of the F-sensor is named "cF".

Practical example of offset

Example 1 – The temperature in the cabinet is operating colder than the actual setpoint.

With a setpoint of +4°C, the actual temperature inside the cabinet is between +2°C and +4°C. The desired temperature range is between +3°C and +5°C. This means that "cA", in this case, should be -1.0K, so that the refrigeration system stops 1.0K before and starts 1.0K later than the setpoint normally otherwise would dictate.

Example 2 – The temperature in the cabinet is operating warmer than the actual setpoint.

With a setpoint of +4°C, the actual temperature inside the cabinet is between +4°C and +6°C. The desired temperature range is between +3°C and +5°C. This means that "cA", in this case, should be 1.0K, so that the refrigeration system stops 1.0K later and starts 1.0K earlier than the setpoint normally otherwise would dictate.

Offset of the A-sensor

- ↳ Press and hold $\text{P} + \text{1}$ for more than 3 seconds
 - ↳ Press + several times until "cAL" is shown in the display
 - ↳ Press P to select "cAL". "cA" is shown in the display
 - ↳ Press P to select "cA"
 - ↳ Press - or + to offset the A-sensor
 - ↳ Press P to confirm the set value
- The A-sensor is now offset, proceed to other parameters by pressing P , and then navigate by using - or +
- ↳ Leave the user menu by pressing P several times until the cabinet temperature is shown in the display

Offset of the E-sensor

- ↳ Press and hold $\text{P} + \text{1}$ for more than 3 seconds
 - ↳ Press + several times until "cAL" is shown in the display
 - ↳ Press P to select "cAL". "cA" is shown in the display
 - ↳ Press + until "cE" is shown in the display
 - ↳ Press P to select "cE"
 - ↳ Press - or + to offset the E-sensor
 - ↳ Press P to confirm the set value
- The E-sensor is now offset proceed to other parameters by pressing P , and then navigate by using - or +
- ↳ Leave the user menu by pressing P several times until the cabinet temperature is shown in the display

Offset of the F-sensor

- ↳ Press and hold $\text{P} + \text{1}$ for more than 3 seconds
 - ↳ Press + several times until "cAL" is shown in the display
 - ↳ Press P to select "cAL". "cA" is shown in the display
 - ↳ Press + until "cF" is shown in the display
 - ↳ Press P to select "cF"
 - ↳ Press - or + to offset the F-sensor
 - ↳ Press P to confirm the set value
- The F-sensor is now offset proceed to other parameters by pressing P , and then navigate by using - or +
- ↳ Leave the user menu by pressing P several times until the cabinet temperature is shown in the display

Escorted/set alarm limits

ALL – Setting of escorted/set alarm limits

- ↳ Press and hold (P) + (1) for more than 3 seconds
- ↳ Press (+) several times until “ALL” is shown in the display
- ↳ Press (P) to select “ALL”
- ↳ Press (-) or (+) to select set or escorted alarm limits
- ↳ Press (P) to confirm the set value
- ↳ Leave the user menu by pressing (⏻) several times until the cabinet temperature is shown in the display

“**Set alarm**” is fixed limits working independently from the setpoint. The temperature alarm limits will remain the selected values regardless of the setpoint being altered.

“**Escorted alarm**” is fixed limits locked to the setpoint. The temperature alarm limits will change according to the altered setpoint.



ATTENTION –

High and low temperature alarms set up in the cabinets' controller (including EAL alarms) must be accompanied by additional redundant independent external alarms to ensure maximum item safety.

Defrosts/24 hours

dEF – Number of defrosts

- ↳ Press and hold (P) + (1) for more than 3 seconds
- ↳ Press (+) several times until “dEF” is shown in the display
- ↳ Press (P) to select “dEF”
- ↳ Press (-) or (+) to set the desired amount of defrosts per 24 hours (factory setting is 4)
- ↳ Press (P) to confirm the set value
- ↳ Leave the user menu by pressing (⏻) several times until the cabinet temperature is shown in the display.



Please note

It is very important that defrosts should not be set to 0 for a prolonged period of time, as this will reduce the cooling capacity of the cabinet.



ATTENTION -

High and low temperature alarms set up in the cabinets' controller (including EAL alarms) must be accompanied by additional redundant independent external alarms to ensure maximum item safety.

Display sensor

- ↳ Press and hold $\text{P} + \text{1}$ for more than 3 seconds
- ↳ Press + several times until "dPS" is shown in the display
- ↳ Press P to select "dPS"
- ↳ Press - or + to select either the A- or E-sensor
- ↳ Press P to confirm the set value
- ↳ Leave the user menu by pressing P several times until the cabinet temperature is shown in the display

Please note: that dPS only changes the reference sensor for the display, and not the reference sensor for the alarms.

Please note: that the reference sensor for the refrigeration system is the A-sensor, this can not be altered.



ATTENTION -

High and low temperature alarms set up in the cabinets' controller (including EAL alarms) must be accompanied by additional redundant independent external alarms to ensure maximum item safety.

Electric low temperature protection

FP – Activation/deactivation of low temperature protection

- ↳ Press and hold $\text{P} + \text{1}$ for more than 3 seconds
- ↳ Press + several times until “FP” is shown in the display
- ↳ Press P to select “FP”. “Act” is now shown in the display
- ↳ Press P to select “Act”
- ↳ Press - or + to activate/deactivate [1 = activated/ 0 = deactivated]
- ↳ Press P to confirm the set value
- ↳ Leave the user menu by pressing ⏏ several times until the cabinet temperature is shown in the display

FP – Setpoint of low temperature protection

- ↳ Press and hold $\text{P} + \text{1}$ for more than 3 seconds
- ↳ Press + several times until “FP” is shown in the display
- ↳ Press P to select “FP”. “Act” is now shown in the display
- ↳ Press + several times until “SEt” is shown in the display
- ↳ Press P to select “SEt”
- ↳ Press - or + to select the setpoint temperature for the low temperature protection
- ↳ Press P to confirm the set value
- ↳ Leave the user menu by pressing ⏏ several times until the cabinet temperature is shown in the display

FP – Test of low temperature protection

- ↳ Press and hold $\text{P} + \text{1}$ for more than 3 seconds
- ↳ Press + several times until “FP” is shown in the display
- ↳ Press P to select “FP”. “Act” is now shown in the display
- ↳ Press + to progress to “tES”
- ↳ Press P to select “tES” – test will then be performed
- ↳ Leave the user menu by pressing ⏏ several times until the cabinet temperature is shown in the display

FP – Temperature of low temperature protection sensor

- ↳ Press and hold $\text{P} + \text{1}$ for more than 3 seconds
- ↳ Press + several times until “FP” is shown in the display
- ↳ Press P to select “FP”. “Act” is now shown in the display
- ↳ Press + several times until “Pre” is shown in the display
- ↳ Press P to select “Pre”
- ↳ Press P to show the low temperature protection sensor temperature
- ↳ Leave the user menu by pressing ⏏ several times until the cabinet temperature is shown in the display

Ordinary use

Keep the marked areas in the cabinet (shown on this page) clear of all items, thereby ensuring adequate air circulation, and therein cooling.

Do not place items beneath the lowest shelf bracket. All items in the cabinet that are not encapsulated, or wrapped, should be covered to reduce the risk of corrosion of the cabinet and its components.



Items placed on the bottom of the cabinet will cause the air circulation to be impeded, which reduces the cabinets performance.



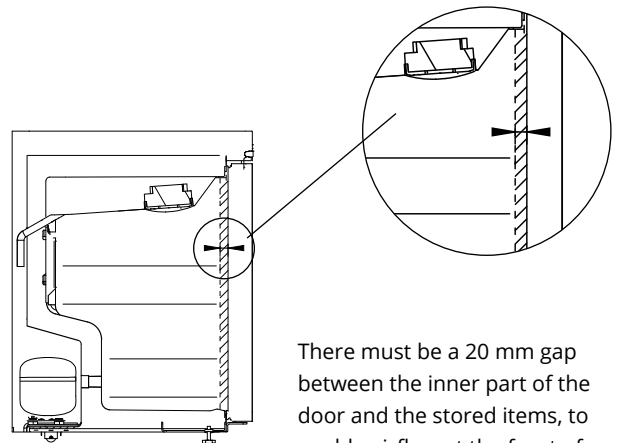
The items should be evenly distributed in the cabinet, with minimum layer-thickness/ maximum surface. And at the same time, the air should be able to circulate freely between the items.



The cabinet is not suited for storing items that emit vapours, as they might corrode the cabinet and its components.

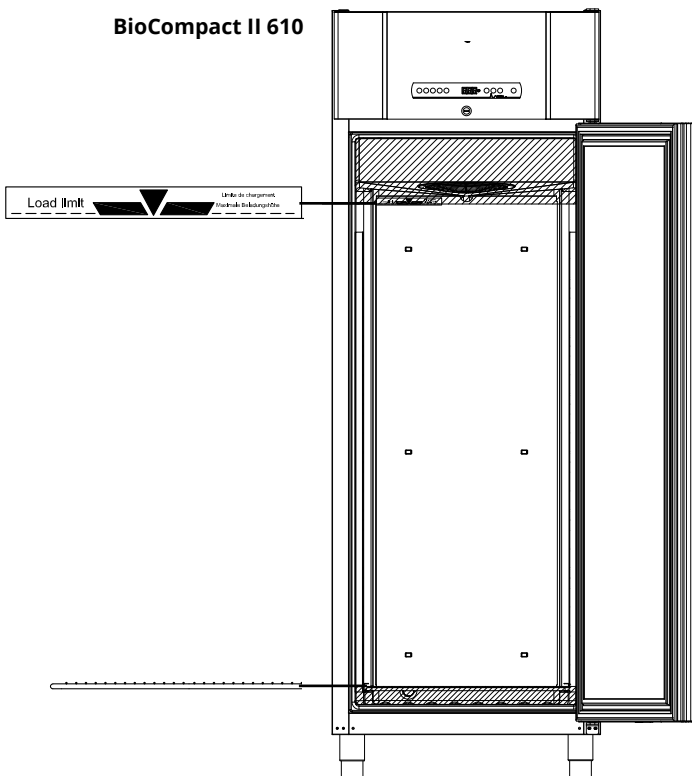


The cabinet interior must not be exposed to corrosive atmospheres.

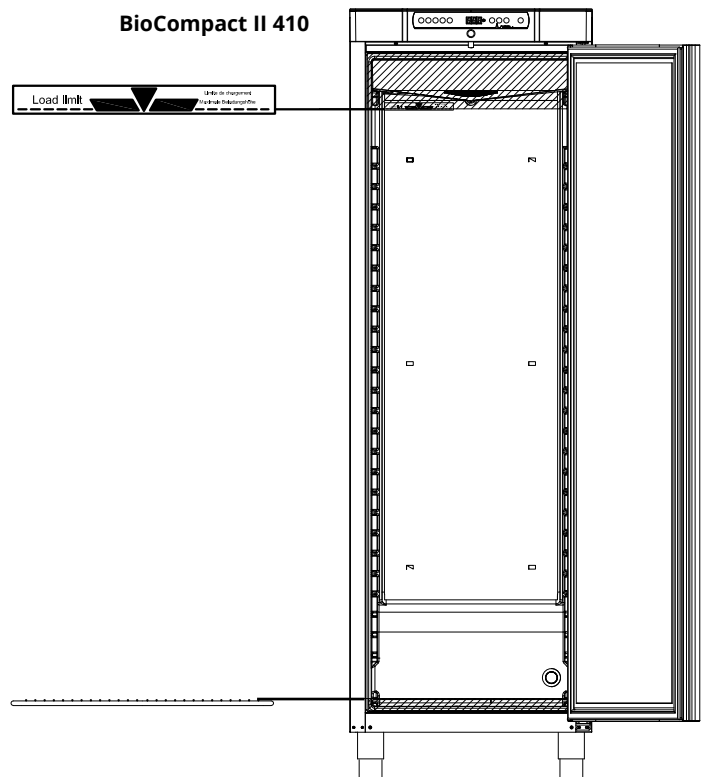


There must be a 20 mm gap between the inner part of the door and the stored items, to enable airflow at the front of the cabinet.

BioCompact II 610



BioCompact II 410



bioline



Regular maintenance

Cleaning



The cabinet must not be connected to a power source while cleaning.

The cabinet should be cleaned internally with a mild soap solution (max. 85°C) at suitable intervals and checked thoroughly before it is put into operation again.

The compressor compartment and in particular the condenser must be kept free from dust and dirt. This is best done with a vacuum cleaner and a brush.

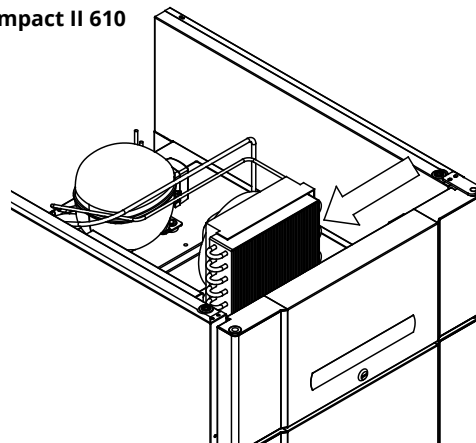
It is recommended that the re-evaporation tray is checked regularly for foreign objects and cleaned accordingly.

Do not flush compressor compartment or evaporator with water.

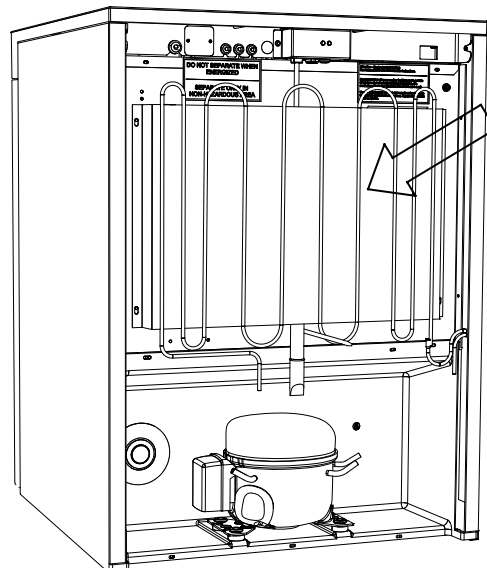
Cleaning agents containing chlorine or compounds of chlorine as well as other corrosive agents, may not be used, as they may cause corrosion.

The location of the condensers for both bottom- and top-mounted compressors is illustrated below.

BioCompact II 610



BioCompact II 210, 310, 410, 210/210



Door gasket

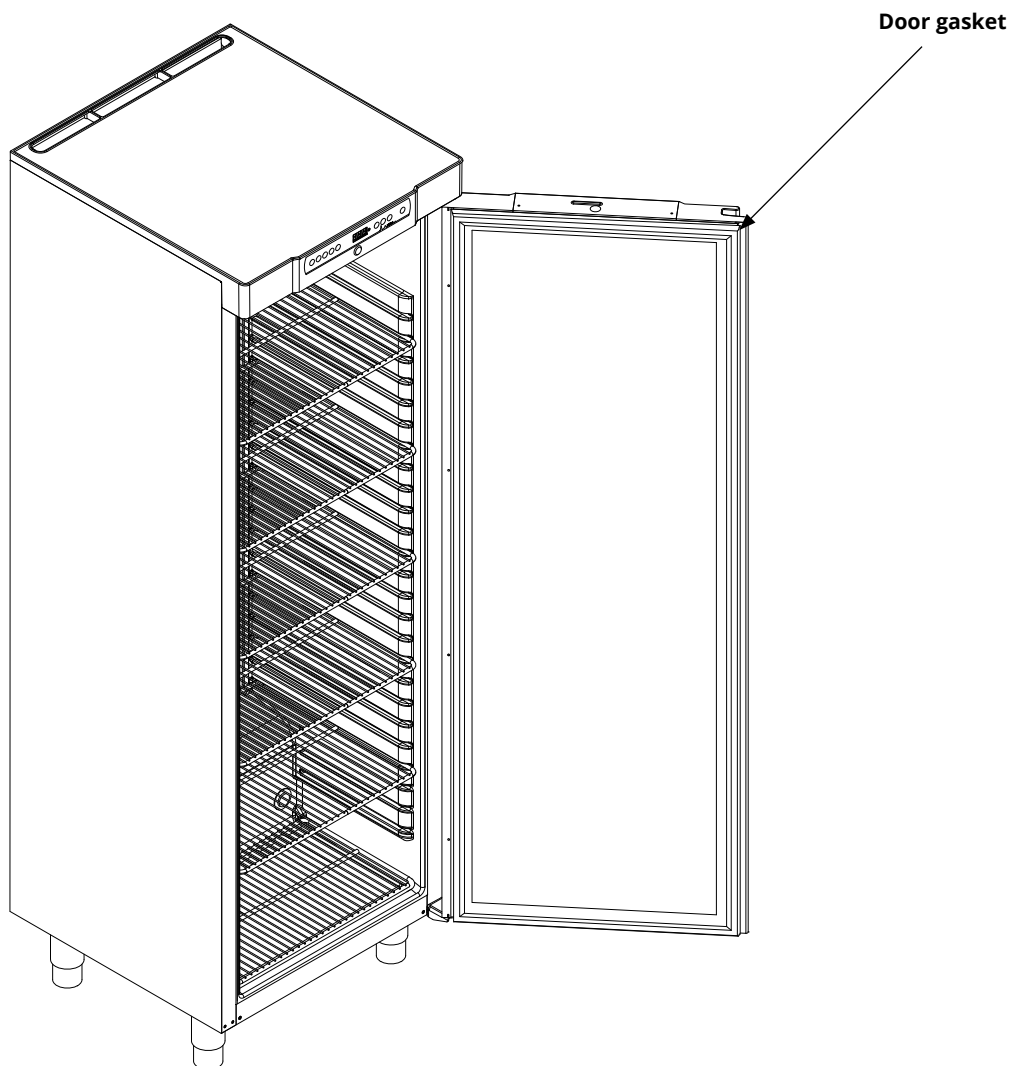
Door gaskets are an important part of a cabinet. Impaired door gaskets can lead to increased humidity, iced up evaporator (and thus reduced cooling capacity), and in some cases, decreased longevity of the cabinet.

It is therefore very important to be aware of the door gaskets condition. Regular inspection is recommended.

The door gasket should be cleaned regularly with a mild soap solution.

If a gasket is to be replaced, please contact your local Gram BioLine distributor.

The illustration below shows the location of the door gasket on a BioCompact II 410.



General info

Service

Read the following carefully, for information on technical safety and responsibility on Gram BioLine products.

Type/number plate



WARNING -

DO NOT OPEN, MAINTAIN OR SERVICE IN AN AREA WHEN AN EXPLOSIVE ATMOSPHERE IS PRESENT

If refrigeration fails, first look to see whether the cabinet has been unintentionally switched off, or whether a fuse has blown.

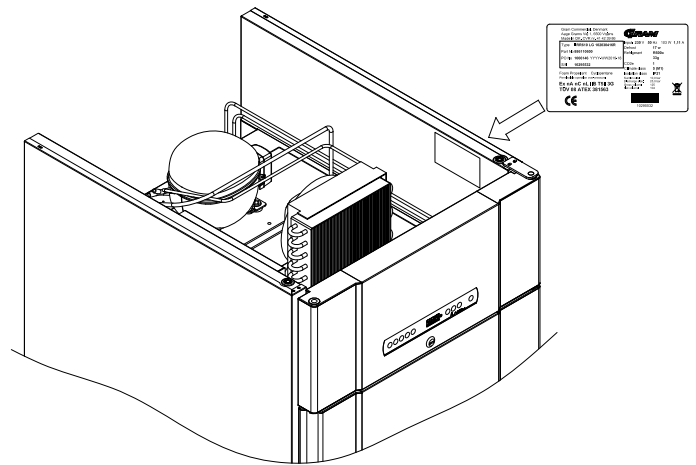
If the cause of failure cannot be found, contact your supplier quoting Type and S/N. This information can be found on the type/number plate.



When servicing -

Make sure the appliance is switched Off at the socket before service is performed on the cabinet.

It is not sufficient to switch Off the cabinet on the On/Off (⏻) button, as current will persist in some electrical parts of the cabinet.



Warranty may be void in the instance the cabinet is being used for applications other than its intended use, or otherwise not in accordance with the guidelines stipulated in the instructions for use.



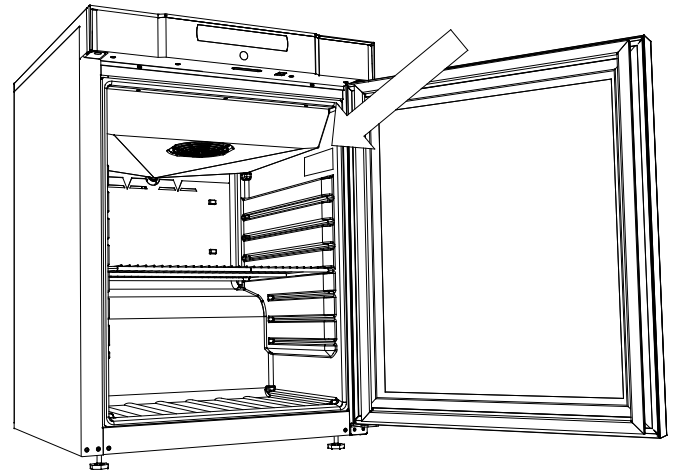
Defective parts must be replaced with original parts from Gram BioLine. Gram BioLine can only guarantee functional and safety requirements on the cabinets, if above mentioned is adhered to.



The cabinet should be checked at least once yearly by a Gram BioLine-authorized technician. The refrigeration system and the hermetically sealed compressor require no maintenance. However the condenser requires regular cleaning.



Be aware that cabinets using hydrocarbons (HC) as refrigerant, may require special handling by qualified technicians.



Defrost water



The cabinet creates defrost water, that is directed out into a re-evaporation tray at the back of the cabinet.

BioCompact II 610

Defrost water is led through a tube in the insulation to a re-evaporation tray at the back of the cabinet.

BioCompact II 210, 310, 210/210, 310/210, and 410

Defrost water is led through a tube in the insulation to a re-evaporation tray in the compressor room in the cabinet.

Below the re-evaporation trays for a BioCompact II 410 and BioCompact II 610 are shown.

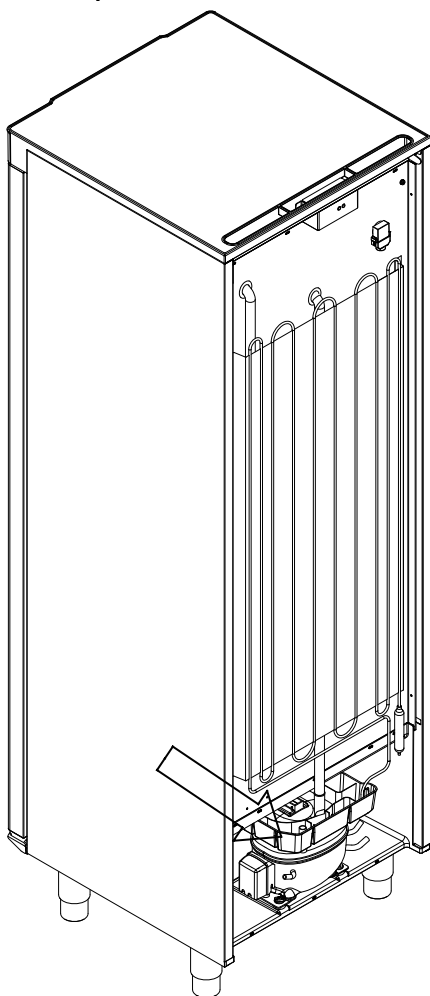


It is recommended that the re-evaporation tray is checked regularly for foreign objects and cleaned accordingly. This shall only be done while the cabinet is turned off.

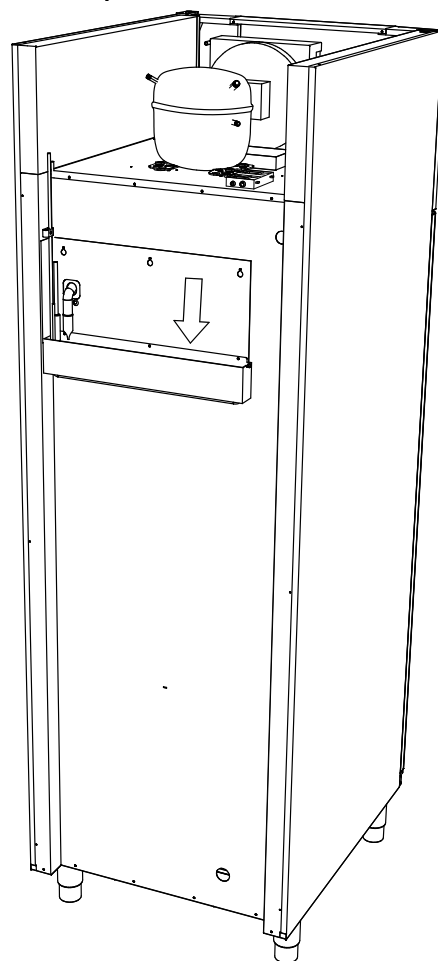


Be careful not to damage the defrost water tube and heating element (located in the tray) when cleaning.

BioCompact II 410



BioCompact II 610



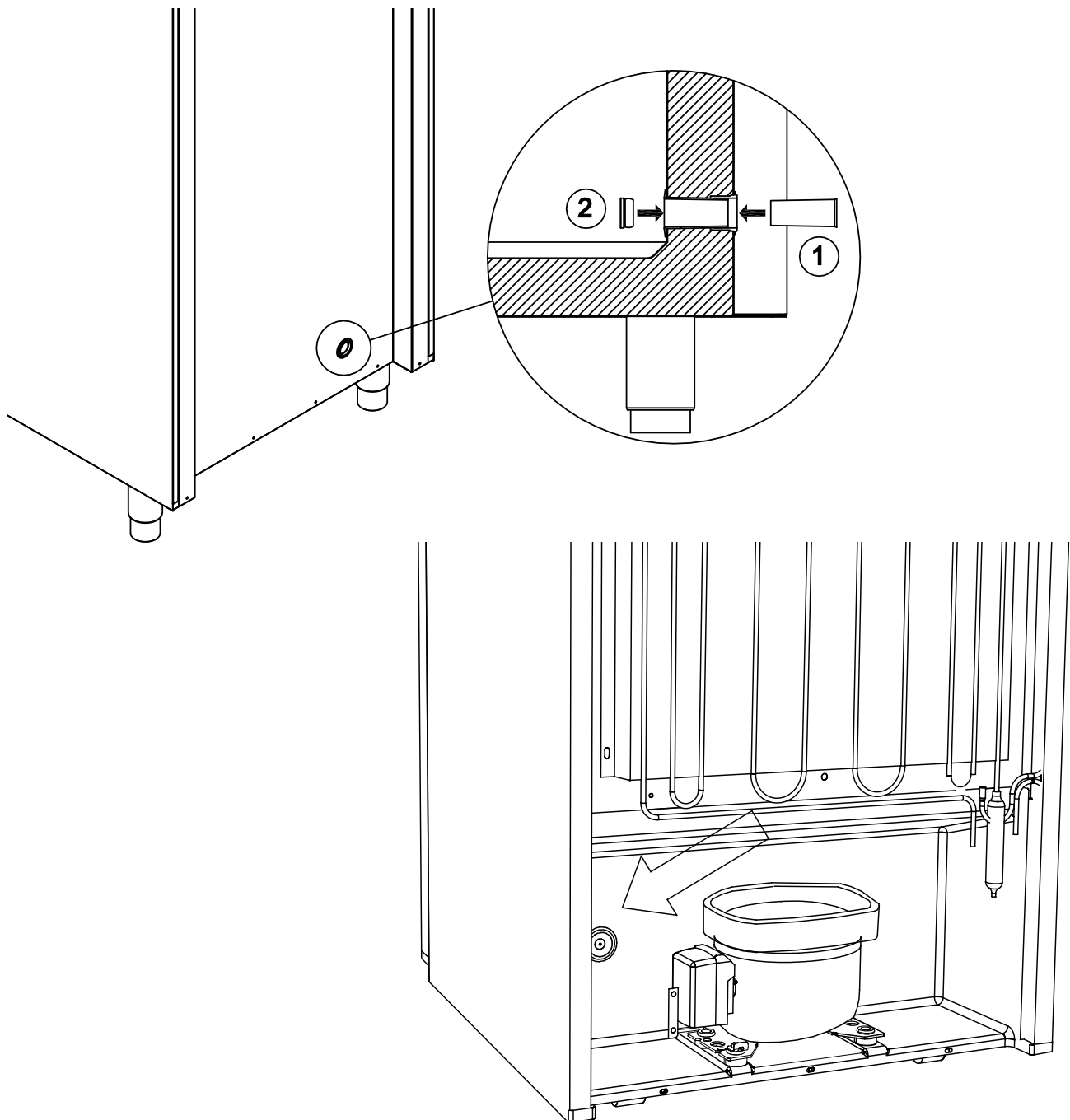
Access port

All BioCompact II cabinets are equipped with an access port on the back of the cabinets, this can be used to easily fit external sensors.

All access ports are constructed in the same fashion, with a conical polystyrene plug (fitted from the back of the cabinet) and a plastic cap (fitted from the inside of the cabinet).

Please note, it is very important to re-fit the polystyrene plug and plastic cap after mounting sensor, probe etc. Failing to do so can result in lowered performance or malfunction of the cabinet.

Access ports are clearly marked "Access port" on the cabinet. Find the location on this page.



Important



IMPORTANT!

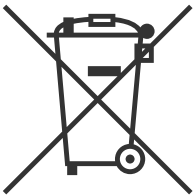
1. There may be sharp edges on the cabinet housing, compressor room, and interior, show due diligence when handling the cabinet, neglect of these precautions can lead to injuries.
2. Danger of wedging of body parts in the frame slot between the door and the cabinet, show due diligence when opening and closing the cabinet door. Negligence of these precautions can lead to injuries.
3. Danger of wedging of body parts in the drawer column between the drawers and interior of the cabinet, show due diligence when using the drawers. Negligence of these precautions can lead to injuries.
4. Be particularly vigilant in relation to closing doors with self-close mechanism as these are spring-loaded. Negligence of these precautions can lead to injuries.
5. Unlocked castors can lead to unexpected movements of the cabinet. Lock the castors after installation. Negligence of these precautions can lead to injuries.
6. The re-evaporation tray, re-evaporation tray heating element, pressure pipes and compressors develops considerable heat during operation. Assure yourself that these components are sufficiently tempered before touching. Negligence of these precautions can lead to injuries.
7. The evaporator develops considerable cold during operation. Reassure yourself that the evaporator is sufficiently tempered before touching. Negligence of this precaution may lead to injuries.
8. The fan may cause injury during operation, avoiding touching the fans while the cabinet is connected to the mains. Negligence of these precautions can lead to injuries.

Disposal

Electrical and electronic equipment (EEE) contains materials, components and substances that can be dangerous and harmful to human health and the environment if the waste (WEEE) is not disposed of properly.



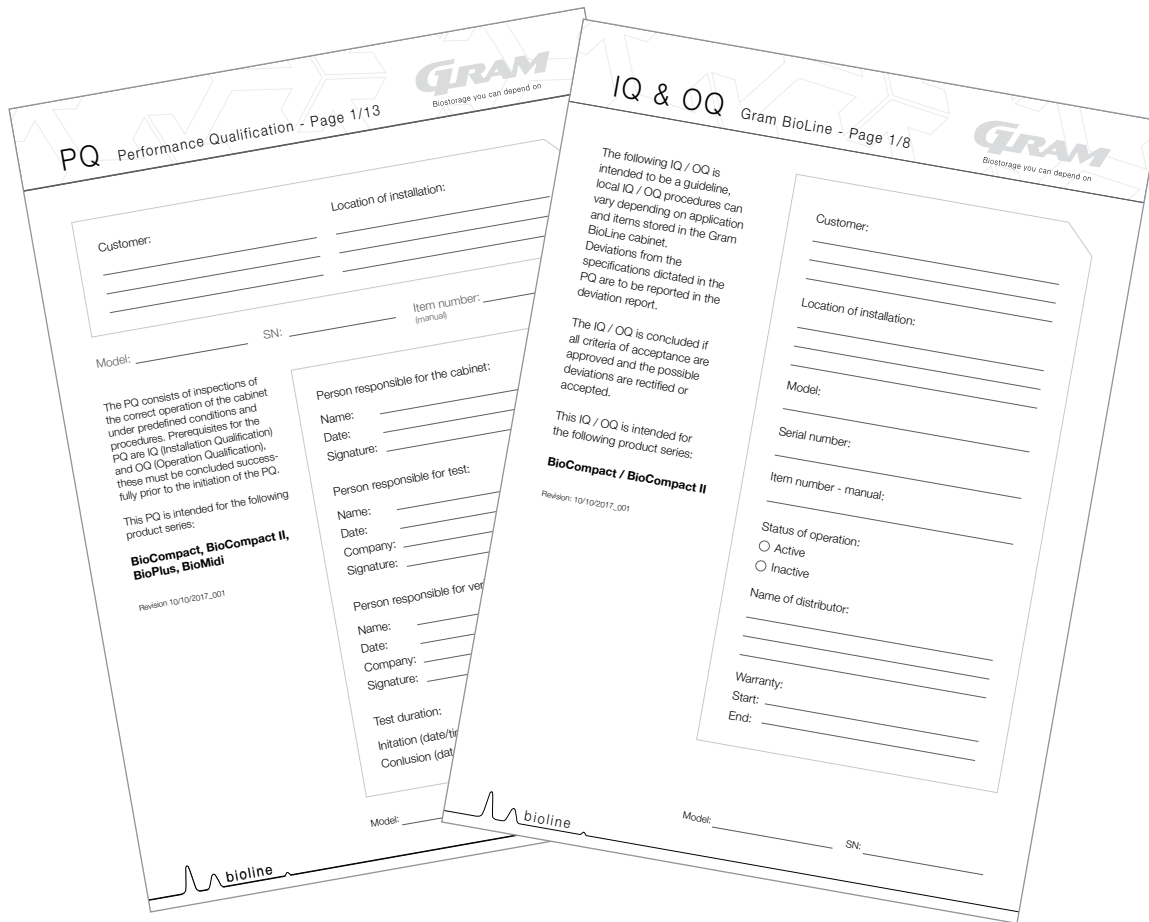
Contact you local BioLine distributor when the cabinet needs to be disposed of.



Products that are labelled with a "crossed-out wheelie bin" is electric and electronic equipment. The crossed out wheelie bin symbolizes that waste of this type can not be disposed of with unsorted municipal waste, but must be collected separately.



IQ, OQ & PQ



IQ, OQ and PQ documentation is readily available for all BioCompact II cabinets.

For Installation, Operation and Performance Qualification documentation please go to our website: www.gram-bioline.com

Datasheet

BioCompact II 210, 310, 410, 210/210, 310/210

General data:

BioCompact II 210, 310, 410, 210/210, 310/210

Technical specifications	Data
Connection	230 VAC, 50 Hz
Control Unit	Gram Control Unit with voltage free contact, alarms and offset function
Alarms	Acoustic and visual, High/Low temperature alarms and door alarm
Alarm ports	Voltage free contact
Access port	1 pcs. ø24.5 mm
Door	Right or left hinged
Material interior	PS lining
Material exterior	White lacquered steel or stainless steel finish
Wall thickness	52 mm
Insulation	50 mm polyurethane with HFC-free cyclopentane propellant
Air system	BioLine ventilated air distribution system
Defrost system	Automatic smart defrost with re-evaporation of defrost water
IP class	IP21

BioCompact II RR210H

BioCompact II RR210H Solid door

Technical specifications	Data
Temperature range	+2/+20°C
Ambient temperature range	+10/+35°C
Software variant	K82
K-Value	0.35 W/(m ² *K)
ATEX marking	II 3G Ex ec nC ic IIB T5 Gc
ATEX certificate	DTI 21ATEX0160X
Gross volume	125 litres
Net volume	104 litres
Dimensions – H x B x D	595 x 640 x 801/1001mm
Refrigerant	R134a
Refrigerant charge	80 g
Refrigeration capacity at -10°C	150 Watt
GWP – CO ₂ e	114.4
Energy consumption – default setpoint	0.68 kWh/24h
Heat emission 100%	111 Watt
Heat emission default setpoint	28 Watt
Nominal consumption	110 Watt
Start current	6.9 A
Sound level	36.5 dB(A)

BioCompact II RR210H Glass door

Technical specifications	Data
Temperature range	+2/+20°C
Ambient temperature range	+10/+32°C
Software variant	K82
K-Value	0.49 W/(m ² *K)
ATEX marking	II 3G Ex ec nC ic IIB T5 Gc
ATEX certificate	DTI 21ATEX0160X
Gross volume	125 litres
Net volume	104 litres
Dimensions – H x B x D	595 x 640 x 801/1001 mm
Refrigerant	R134a
Refrigerant charge	80 g
Refrigeration capacity at -10°C	150 Watt
GWP – CO ₂ e	114.4
Energy consumption – default setpoint	1.22 kWh/24h
Heat emission 100%	190 Watt
Heat emission default setpoint	51 Watt
Nominal consumption	200 Watt
Start current	9.7 A
Sound level	36.5 dB(A)

BioCompact II RR310H

BioCompact II RR310H Solid door

Technical specifications	Data
Temperature range	+2/+20°C
Ambient temperature range	+10/+35°C
Software variant	K82
K-Value	0.35 W/(m ² *K)
ATEX marking	II 3G Ex ec nC ic IIB T5 Gc
ATEX certificate	DTI 21ATEX0160X
Gross volume	218 litres
Net volume	189 litres
Dimensions – H x B x D	595 x 640 x 1190/1390 mm
Refrigerant	R134a
Refrigerant charge	115 g
Refrigeration capacity at -10°C	173 Watt
GWP – CO ₂ e	164.45
Energy consumption – default setpoint	0.79 kWh/24h
Heat emission 100%	145 Watt
Heat emission default setpoint	33 Watt
Nominal consumption	145 Watt
Start current	8.6A
Sound level	36.8 dB(A)

BioCompact II RR310H Glass door

Technical specifications	Data
Temperature range	+2/+20°C
Ambient temperature range	+10/+32°C
Software variant	K92
K-Value	0.50 W/(m ² *K)
ATEX marking	II 3G Ex ec nC ic IIB T5 Gc
ATEX certificate	DTI 21ATEX0160X
Gross volume	218 litres
Net volume	189 litres
Dimensions – H x B x D	595 x 640 x 1190/1390 mm
Refrigerant	R134a
Refrigerant charge	95 g
Refrigeration capacity at -10°C	173 Watt
GWP – CO ₂ e	135.85
Energy consumption – default setpoint	1.30 kWh/24h
Heat emission 100%	180 Watt
Heat emission default setpoint	56 Watt
Nominal consumption	183 Watt
Start current	9.7A
Sound level	36.8 dB(A)

BioCompact II RR410H

BioCompact II RR410H Solid door

Technical specifications	Data
Temperature range	+2/+20°C
Ambient temperature range	+10/+35°C
Software variant	K82
K-Value	0.35 W/(m ² *K)
ATEX marking	II 3G Ex ec nC ic IIB T4 Gc
ATEX certificate	DTI 21ATEX0160X
Gross volume	346 litres
Net volume	312 litres
Dimensions – H x B x D	595 x 640 x 1776/1976 mm
Refrigerant	R134a
Refrigerant charge	120 g
Refrigeration capacity at -10°C	173 Watt
GWP – CO ₂ e	171.6
Energy consumption – default setpoint	0.96 kWh/24 h
Heat emission 100%	140 Watt
Heat emission default setpoint	40 Watt
Nominal consumption	140 Watt
Start current	8.6A
Sound level	35.1 dB(A)

BioCompact II RR410H Glass door

Technical specifications	Data
Temperature range	+2/+20°C
Ambient temperature range	+10/+32°C
Software variant	K92
K-Value	0.51 W/(m ² *K)
ATEX marking	II 3G Ex ec nC ic IIB T4 Gc
ATEX certificate	DTI 21ATEX0160X
Gross volume	346 litres
Net volume	312 litres
Dimensions – H x B x D	595 x 640 x 1776/1976 mm
Refrigerant	R134a
Refrigerant charge	120 g
Refrigeration capacity at -10°C	173 Watt
GWP – CO ₂ e	171.6
Energy consumption – default setpoint	1.58 kWh/24h
Heat emission 100%	199 Watt
Heat emission default setpoint	66 Watt
Nominal consumption	197 Watt
Start current	5.9A
Sound level	35.1 dB(A)

BioCompact II RF210H

BioCompact II RF310H

BioCompact II RF210H Solid door

Technical specifications	Data
Temperature range	-25/-5°C
Ambient temperature range	+10/+35°C
Software variant	F52
K-Value	0.35 W/(m ² *K)
ATEX marking	II 3G Ex ec nC ic IIB T3 Gc
ATEX certificate	DTI 21ATEX0160X
Gross volume	125 litres
Net volume	104 litres
Dimensions – H x B x D	595 x 640 x 801/1001 mm
Refrigerant	R134a
Refrigerant charge	70 g
Refrigeration capacity at -25°C	156 Watt
GWP – CO ₂ e	100.1
Energy consumption – default setpoint	1.53 kWh/24h
Heat emission 100%	159 Watt
Heat emission default setpoint	81 Watt
Nominal consumption	158 Watt
Start current	8.6 A
Sound level	39.7 dB(A)

BioCompact II RF310H Solid door

Technical specifications	Data
Temperature range	-25/-5°C
Ambient temperature range	+10/+35°C
Software variant	F52
K-Value	0.35 W/(m ² *K)
ATEX marking	II 3G Ex ec nC ic IIB T3 Gc
ATEX certificate	DTI 21ATEX0160X
Gross volume	218 litres
Net volume	189 litres
Dimensions – H x B x D	595 x 640 x 1190/1390 mm
Refrigerant	R134a
Refrigerant charge	80 g
Refrigeration capacity at -25°C	216 Watt
GWP – CO ₂ e	114.4
Energy consumption – default setpoint	1.99 kWh/24h
Heat emission 100%	185 Watt
Heat emission default setpoint	83 Watt
Nominal consumption	187 Watt
Start current	N/A
Sound level	39.9 dB(A)

BioCompact II RF410H



BioCompact II RF410H Solid door

Technical specifications	Data
Temperature range	-25/-5°C
Ambient temperature range	+10/+35°C
Software variant	F52
K-Value	0.35 W/(m ² *K)
ATEX marking	II 3G Ex ec nC ic IIB T3 Gc
ATEX certificate	DTI 21ATEX0160X
Gross volume	346 litres
Net volume	312 litres
Dimensions – H x B x D	595 x 640 x 1776/1976* mm
Refrigerant	R134a
Refrigerant charge	95 g
Refrigeration capacity at -25°C	216 Watt
GWP – CO ₂ e	135.85
Energy consumption – default setpoint	2.66 kWh/24h
Heat emission 100%	190 Watt
Heat emission default setpoint	111 Watt
Nominal consumption	191 Watt
Start current	11.3 A
Sound level	38.6 dB(A)

BioCompact II RR210/RR210H

BioCompact II RR210/RR210H Solid door

Technical specifications	Data
Temperature range	+2/+20°C
Ambient temperature range	+10/+35°C
Software variant	K82
K-Value	0.35 W/(m ² *K);
ATEX marking	II 3G Ex ec nC ic IIB T3 Gc
ATEX certificate	DTI 21ATEX0160X
Gross volume	2 x 125 litres
Net volume	2 x 104 litres
Dimensions – H x B x D	595 x 640 x 1602/1802 mm
Refrigerant	R134a
Refrigerant charge	160 g
Refrigeration capacity at -10°C	150 Watt
GWP – CO ₂ e	228.8
Energy consumption – default setpoint	1.36 kWh/24h
Heat emission 100%	222 Watt
Heat emission default setpoint	56 Watt
Nominal consumption	220 Watt
Start current	13.8 A
Sound level	39.1 dB(A)

BioCompact II RR210/RR210H Glass door

Technical specifications	Data
Temperature range	+2/+20°C
Ambient temperature range	+10/+32°C
Software variant	K92
K-Value	0.49 W/(m ² *K)
ATEX marking	II 3G Ex ec nC ic IIB T3 Gc
ATEX certificate	DTI 21ATEX0160X
Gross volume	2 x 125 litres
Net volume	2 x 104 litres
Dimensions – H x B x D	595 x 640 x 1602/1802 mm
Refrigerant	R134a
Refrigerant charge	160 g
Refrigeration capacity at -10°C	150 Watt
GWP – CO ₂ e	228.8
Energy consumption – default setpoint	2.44 kWh/24h
Heat emission 100%	376 Watt
Heat emission default setpoint	102 Watt
Nominal consumption	376 Watt
Start current	13.8 A
Sound level	39.1 dB(A)

BioCompact II RR210/RF210H

BioCompact II RR210/RF210H Solid door

Technical specifications	Data
Temperature range	+2/+20°C and -25/-5°C
Ambient temperature range	+10/+35°C
Software variant	K82/F52
K-Value	0.35 W/(m ² *K)
ATEX marking	II 3G Ex ec nC ic IIB T3 Gc
ATEX certificate	DTI 21ATEX0160X
Gross volume	2 x 125 litres
Net volume	2 x 104 litres
Dimensions – H x B x D	595 x 640 x 1602/1802 mm
Refrigerant	R134a
Refrigerant charge	150 g
Refrigeration capacity at -10°C	150 Watt
Refrigeration capacity at -25°C	149 Watt
GWP – CO ₂ e	214.5
Energy consumption – default setpoint	2.63 kWh/24h
Heat emission 100%	271 Watt
Heat emission default setpoint	109 Watt
Nominal consumption	268 Watt
Start current	12.8 A
Sound level	41.4 dB(A)

BioCompact II RR210/RF210H Glass door (RR)

Technical specifications	Data
Temperature range	+2/+20°C and -25/-5°C
Ambient temperature range	+10/+32°C
Software variant	K92/F52
K-Value	0.49 W/(m ² *K)
ATEX marking	II 3G Ex ec nC ic IIB T3 Gc
ATEX certificate	DTI 21ATEX0160X
Gross volume	2 x 125 litres
Net volume	2 x 104 litres
Dimensions – H x B x D	595 x 640 x 1602/1802 mm
Refrigerant	R134a
Refrigerant charge	150 g
Refrigeration capacity at -10°C	150 Watt
Refrigeration capacity at -25°C	149 Watt
GWP – CO ₂ e	214.2
Energy consumption – default setpoint	3.17 kWh/24h
Heat emission 100%	271 Watt
Heat emission default setpoint	190 Watt
Nominal consumption	346 Watt
Start current	12.8 A
Sound level	41.4 dB(A)

BioCompact II RF210/RF210H

BioCompact II RF210/RF210H Solid door

Technical specifications	Data
Temperature range	-25/-5°C
Ambient temperature range	+10/+35°C
Software variant	F52
K-Value	0.35 W/(m ² *K)
ATEX marking	II 3G Ex ec nC ic IIB T3 Gc
ATEX certificate	DTI 21ATEX0160X
Gross volume	2 x 125 litres
Net volume	2 x 104 litres
Dimensions – H x B x D	595 x 640 x 1602/1802 mm
Refrigerant	R134a
Refrigerant charge	140 g
Refrigeration capacity at -25°C	149 Watt
GWP – CO ₂ e	200.2
Energy consumption – default setpoint	3.9 kWh/24h
Heat emission 100%	320 Watt
Heat emission default setpoint	81 Watt
Nominal consumption	316 Watt
Start current	11.8 A
Sound level	42.1 dB(A)

BioCompact II RR310/RF210H

BioCompact II RR310/RF210H Solid door

Technical specifications	Data
Temperature range	+2/+20°C and -25/-5°C
Ambient temperature range	+10/+35°C
Software variant	K82/F52
K-Value	RR310: 0.50 W/(m ² *K) RF210: 0.35 W/(m ² *K)
ATEX marking	II 3G Ex ec nC ic IIB T3 Gc
ATEX certificate	DTI 21ATEX0160X
Gross volume	RR310: 218 litres RF210: 125 litres
Net volume	RR310: 189 litres RF210: 104 litres
Dimensions – H x B x D	595 x 640 x 1991/2191 mm
Refrigerant	R134a
Refrigerant charge	85 g
Refrigeration capacity at -10°C	173 Watt
Refrigeration capacity at -25°C	149 Watt
GWP – CO ₂ e	264.55
Energy consumption – default setpoint	2.74 kWh/24h
Heat emission 100%	305 Watt
Heat emission default setpoint	114 Watt
Nominal consumption	303 Watt
Start current	-
Sound level	42.2 dB(A)

BioCompact II RR310/RF210H Glass door (RR)

Technical specifications	Data
Temperature range	+2/+20°C and -25/-5°C
Ambient temperature range	+10/+32°C
Software variant	K82/F52
K-Value	RR310: 0.50 W/(m ² *K) RF210: 0.35 W/(m ² *K)
ATEX marking	II 3G Ex ec nC ic IIB T3 Gc
ATEX certificate	DTI 21ATEX0160X
Gross volume	RR310: 218 litres RF210: 125 litres
Net volume	RR310: 189 litres RF210: 104 litres
Dimensions – H x B x D	595 x 640 x 1991/2191 mm
Refrigerant	R134a
Refrigerant charge	185 g
Refrigeration capacity at -10°C	173 Watt
Refrigeration capacity at -25°C	149 Watt
GWP – CO ₂ e	264.45
Energy consumption – default setpoint	4.04 kWh/24h
Heat emission 100%	305 Watt
Heat emission default setpoint	114 Watt
Nominal consumption	341 Watt
Start current	8.6A +
Sound level	42.2 dB(A)

BioCompact II RR210G

BioCompact II RR210G Solid door

Technical specifications	Data
Temperature range	+2/+20°C
Ambient temperature range	+10/+35°C
Software variant	K82
K-Value	0.35 W/(m ² *K)
ATEX marking	II 3G Ex ec nC ic IIB T6 Gc
ATEX certificate	DTI 21ATEX0160X
Gross volume	125 litres
Net volume	104 litres
Dimensions – H x B x D	595 x 640 x 801/1001 mm
Refrigerant	R600a
Refrigerant charge	33 g
Refrigeration capacity at -10°C	154 Watt
GWP – CO ₂ e	N/A
Energy consumption – default setpoint	0.61 kWh/24h
Heat emission 100%	97 Watt
Heat emission default setpoint	26 Watt
Nominal consumption	95 Watt
Start current	7.6 A
Sound level	36.5 dB(A)

BioCompact II RR210G Glass door

Technical specifications	Data
Temperature range	+2/+20°C
Ambient temperature range	+10/+32°C
Software variant	K92
K-Value	0.49 W/(m ² *K)
ATEX marking	II 3G Ex ec nC ic IIB T6 Gc
ATEX certificate	DTI 21ATEX0160X
Gross volume	125 litres
Net volume	104 litres
Dimensions – H x B x D	595 x 640 x 801/1001 mm
Refrigerant	R600a
Refrigerant charge	33 g
Refrigeration capacity at -10°C	154 Watt
GWP – CO ₂ e	N/A
Energy consumption – default setpoint	0.98 kWh/24h
Heat emission 100%	102 Watt
Heat emission default setpoint	41 Watt
Nominal consumption	100 Watt
Start current	7.6 A
Sound level	35 dB(A)

BioCompact II RR310G

BioCompact II RR310G Solid door

Technical specifications	Data
Temperature range	+2/+20°C
Ambient temperature range	+10/35°C
Software variant	K82
K-Value	0.35 W/(m ² *K)
ATEX marking	II 3G Ex ec nC ic IIB T6 Gc
ATEX certificate	DTI 21ATEX0160X
Gross volume	218 litres
Net volume	189 litres
Dimensions – H x B x D	595 x 640 x 1190/1390 mm
Refrigerant	R600a
Refrigerant charge	45 g
Refrigeration capacity at -10°C	154 Watt
GWP – CO ₂ e	N/A
Energy consumption – default setpoint	0.63 kWh/24h
Heat emission 100%	94 Watt
Heat emission default setpoint	28 Watt
Nominal consumption	95 Watt
Start current	7.6 A
Sound level	36.8 dB(A)

BioCompact II RR310G Glass door

Technical specifications	Data
Temperature range	+2/+20°C
Ambient temperature range	+10/+32°C
Software variant	K92
K-Value	0.50 W/(m ² *K)
ATEX marking	II 3G Ex ec nC ic IIB T6 Gc
ATEX certificate	DTI 21ATEX0160X
Gross volume	218 litres
Net volume	189 litres
Dimensions – H x B x D	595 x 640 x 1190/1390 mm
Refrigerant	R600a
Refrigerant charge	45 g
Refrigeration capacity at -10°C	154 Watt
GWP – CO ₂ e	N/A
Energy consumption – default setpoint	0.98 kWh/24h
Heat emission 100%	103 Watt
Heat emission default setpoint	44 Watt
Nominal consumption	101 Watt
Start current	7.6 A
Sound level	36.8 dB(A)

BioCompact II RR410G

BioCompact II RR410G Solid door

Technical specifications	Data
Temperature range	+2/+20°C
Ambient temperature range	+10/+35°C
Software variant	K82
K-Value	0.35 W/(m ² *K)
ATEX marking	3G Ex ec nC ic IIB T6 Gc
ATEX certificate	DTI 21ATEX0160X
Gross volume	346 litres
Net volume	312 litres
Dimensions – H x B x D	595 x 640 x 1776/1976 mm
Refrigerant	R600a
Refrigerant charge	51 g
Refrigeration capacity at -10°C	207 Watt
GWP – CO ₂ e	N/A
Energy consumption – default setpoint	0.73 kWh/24h
Heat emission 100%	110 Watt
Heat emission default setpoint	30 Watt
Nominal consumption	109 Watt
Start current	6.4 A
Sound level	35.1 dB(A)

BioCompact II RR410G Glass door

Technical specifications	Data
Temperature range	+2/+20°C
Ambient temperature range	+10/+32°C
Software variant	K92
K-Value	0.51 W/(m ² *K)
ATEX marking	3G Ex ec nC ic IIB T6 Gc
ATEX certificate	DTI 21ATEX0160X
Gross volume	346 litres
Net volume	312 litres
Dimensions – H x B x D	595 x 640 x 1776/1976 mm
Refrigerant	R600a
Refrigerant charge	51 g
Refrigeration capacity at -10°C	207 Watt
GWP – CO ₂ e	N/A
Energy consumption – default setpoint	1.44 kWh/24h
Heat emission 100%	165 Watt
Heat emission default setpoint	60 Watt
Nominal consumption	162 Watt
Start current	6.4 A
Sound level	35.1 dB(A)

BioCompact II RF210G

BioCompact II RF310G

BioCompact II RF210G Solid door

Technical specifications	Data
Temperature range	-25/-5°C
Ambient temperature range	+10/+35°C
Software variant	F52
K-Value	0.35 W/(m ² *K)
ATEX marking	II 3G Ex ec nC ic IIB T3 Gc
ATEX certificate	DTI 21ATEX0160X
Gross volume	125 litres
Net volume	104 litres
Dimensions – H x B x D	595 x 640 x 801/1001 mm
Refrigerant	R600a
Refrigerant charge	30 g
Refrigeration capacity at -25°C	156 Watt
GWP – CO ₂ e	N/A
Energy consumption – default setpoint	1.53 kWh/24h
Heat emission 100%	146 Watt
Heat emission default setpoint	64 Watt
Nominal consumption	144 Watt
Start current	8.6 A
Sound level	39.7 dB(A)

BioCompact II RF310G Solid door

Technical specifications	Data
Temperature range	-25/-5°C
Ambient temperature range	+10/+35°C
Software variant	F52
K-Value	0.35 W/(m ² *K)
ATEX marking	3G Ex ec nC ic IIB T3 Gc
ATEX certificate	DTI 21ATEX0160X
Gross volume	218 litres
Net volume	189 litres
Dimensions – H x B x D	595 x 640 x 1190/1390 mm
Refrigerant	R600a
Refrigerant charge	35 g
Refrigeration capacity at -25°C	204 Watt
GWP – CO ₂ e	N/A
Energy consumption – default setpoint	1.69 kWh/24h
Heat emission 100%	142 Watt
Heat emission default setpoint	71 Watt
Nominal consumption	143 Watt
Start current	8 A
Sound level	39.9 dB(A)

BioCompact II RF410G

BioCompact II RF410G Solid door

Technical specifications	Data
Temperature range	-25/-5°C
Ambient temperature range	+10/+35°C
Software variant	F52
K-Value	0.35 W/(m ² *K)
ATEX marking	II 3G Ex ec nC ic IIB T3 Gc
ATEX certificate	DTI 21ATEX0160X
Gross volume	346 litres
Net volume	312 litres
Dimensions – H x B x D	595 x 640 x 1776/1976 mm
Refrigerant	R600a
Refrigerant charge	47 g
Refrigeration capacity at -25°C	204 Watt
GWP – CO ₂ e	N/A
Energy consumption - default setpoint	2.13 kWh/24h
Heat emission 100%	153 Watt
Heat emission default setpoint	89 Watt
Nominal consumption	155 Watt
Start current	8 A
Sound level	38.6 dB(A)

BioCompact II RR210/RR210G

BioCompact II RR210/RR210G Solid door

Technical specifications	Data
Temperature range	+2/+20°C
Ambient temperature range	+10/+35°C
Software variant	K82/K82
K-Value	0,35 W/(m2*K)
ATEX marking	II 3G Ex nA nC nL IIB T3 Gc
ATEX certificate	DTI 21ATEX0160X
Gross volume	2 x 125 litres
Net volume	2 x 104 litres
Dimensions – H x B x D	595 x 640 x 1602/1802 mm
Refrigerant	R600a
Refrigerant charge	66 g
Refrigeration capacity at -10°C	154 Watt
GWP – CO2e	N/A
Energy consumption – default setpoint	1,22 kWh/24 t
Heat emission 100%	194 Watt
Heat emission default setpoint	26 Watt
Nominal consumption	190 Watt
Start current	15,2 A
Sound level	39,1 dB(A)

BioCompact II RR210/RR210G Glass door

Technical specifications	Data
Temperature range	+2/+20°C
Ambient temperature range	+10/+32°C
Software variant	K92/K92
K-Value	0.49 W/(m2*K)
ATEX marking	II 3G Ex nA nC nL IIB T3 Gc
ATEX certificate	DTI 21ATEX0160X
Gross volume	2 x 125 litres
Net volume	2 x 104 litres
Dimensions – H x B x D	595 x 640 x 1602/1802 mm
Refrigerant	R600a
Refrigerant charge	66 g
Refrigeration capacity at -10°C	154 Watt
GWP – CO2e	N/A
Energy consumption – default setpoint	1.83 kWh/24h
Heat emission 100%	204 Watt
Heat emission default setpoint	82 Watt
Nominal consumption	195 Watt
Start current	15.2 A
Sound level	39.1 dB(A)

BioCompact II RR210/RF210G

BioCompact II RR210/RF210G Solid door

Technical specifications	Data
Temperature range	+2/+20°C and -25/-5°C
Ambient temperature range	+10/+35°C
Software variant	K82/F52
K-Value	0.35 W/(m ² *K)
ATEX marking	II 3G Ex nA nC nL IIB T3 Gc
ATEX certificate	DTI 21ATEX0160X
Gross volume	2 x 125 litres
Net volume	2 x 104 litres
Dimensions – H x B x D	595 x 640 x 1602/1802 mm
Refrigerant	R600a
Refrigerant charge	63 g
Refrigeration capacity at -10°C	154 Watt
Refrigeration capacity at -25°C	156 Watt
GWP – CO ₂ e	N/A
Energy consumption – default setpoint	2.14 kWh/24h
Heat emission 100%	243 Watt
Heat emission default setpoint	90 Watt
Nominal consumption	239 Watt
Start current	16.2 A
Sound level	41.4 dB(A)

BioCompact II RR210/RF210G Glass door (RR)

Technical specifications	Data
Temperature range	+2/+20°C and -25/-5°C
Ambient temperature range	+10/+32°C
Software variant	K92/F52
K-Value	Solid door 0.35 W/(m ² *K) Glass door 0.49 W/(m ² *K)
ATEX marking	II 3G Ex nA nC nL IIB T3 Gc
ATEX certificate	DTI 21ATEX0160X
Gross volume	2 x 125 litres
Net volume	2 x 104 litres
Dimensions – H x B x D	595 x 640 x 1602/1802 mm
Refrigerant	R600a
Refrigerant charge	63 g
Refrigeration capacity at -10°C	154 Watt
Refrigeration capacity at -25°C	156 Watt
GWP – CO ₂ e	N/A
Energy consumption – default setpoint	2.14 kWh/24h
Heat emission 100%	243 Watt
Heat emission default setpoint	105 Watt
Nominal consumption	244 Watt
Start current	16.2 A
Sound level	41.4 dB(A)

BioCompact II RF210/RF210G

BioCompact II RF210/RF210G Solid door

Technical specifications	Data
Temperature range	-25/-5°C
Ambient temperature range	+10/+35°C
Software variant	F52
K-Value	0.35 W/(m ² *K)
ATEX marking	II 3G Ex nA nC nL IIB T3 Gc
ATEX certificate	DTI 21ATEX0160X
Gross volume	2 x 125 litres
Net volume	2 x 104 litres
Dimensions – H x B x D	595 x 640 x 1602/1802 mm
Refrigerant	R600a
Refrigerant charge	60 g
Refrigeration capacity at -25°C	156 Watt
GWP – CO ₂ e	N/A
Energy consumption - default setpoint	3.06 kWh/24h
Heat emission 100%	292 Watt
Heat emission default setpoint	128 Watt
Nominal consumption	288 Watt
Start current	17.2 A
Sound level	42.1 dB(A)

BioCompact II RR310/RF210G

BioCompact II RR310/RF210G Solid door

Technical specifications	Data
Temperature range	+2/+20°C and -25/-5°C
Ambient temperature range	+10/+35°C
Software variant	K82/F52
K-Value	RR310: 0.35 W/(m ² *K) RF210: 0.35 W/(m ² *K)
ATEX marking	II 3G Ex ec nC ic IIB T3 Gc
ATEX certificate	DTI 21ATEX0160X
Gross volume	RR310: 218 litres RF210: 125 litres
Net volume	RR310: 189 litres RF210: 104 litres
Dimensions – H x B x D	595 x 640 x 1991/2191 mm
Refrigerant	R600a
Refrigerant charge	75 g
Refrigeration capacity at -10°C	154 Watt
Refrigeration capacity at -25°C	156 Watt
GWP – CO ₂ e	N/A
Energy consumption – default setpoint	2.32 kWh/24h
Heat emission 100%	240 Watt
Heat emission default setpoint	92 Watt
Nominal consumption	289 Watt
Start current	7.6A + 8.6A
Sound level	42.2 dB(A)

BioCompact II RR310/RF210G Glass door (RR)

Technical specifications	Data
Temperature range	+2/+20°C and -25/-5°C
Ambient temperature range	+10/+32°C
Software variant	K92/F52
K-Value	RR310: 0.50 W/(m ² *K) RF210: 0.35 W/(m ² *K)
ATEX marking	II 3G Ex ec nC ic IIB T3 Gc
ATEX certificate	DTI 21ATEX0160X
Gross volume	RR310: 218 litres RF210: 125 litres
Net volume	RR310: 189 litres RF210: 104 litres
Dimensions – H x B x D	595 x 640 x 1991/2191 mm
Refrigerant	R600a
Refrigerant charge	75 g
Refrigeration capacity at -10°C	154 Watt
Refrigeration capacity at -25°C	156 Watt
GWP – CO ₂ e	N/A
Energy consumption – default setpoint	2.67 kWh/24h
Heat emission 100%	249 Watt
Heat emission default setpoint	108 Watt
Nominal consumption	327 Watt
Start current	-
Sound level	42.2 dB(A)

bioline



BioCompact II RR610H

General data: BioCompact II 610

Technical specifications	Data
Connection	230 VAC, 50 Hz
Control Unit	Gram Control Unit with voltage free contact, alarms and offset function
Alarms	Acoustic and visual, High/Low temperature alarms and door alarm
Alarm ports	Voltage free contact
Access port	1 pcs. ø24.5 mm
Door	Right or left hinged
Material interior	PS lining with wall rails in stainless steel
Material exterior	White lacquered steel or stainless steel finish
Wall thickness	60 mm
Insulation	60 mm polyurethane with HFC-free cyclopentane propellant
Air system	BioLine ventilated air distribution system
Defrost system	Automatic smart defrost with re-evaporation of defrost water
IP class	IP21

BioCompact II RF610H

BioCompact II RR610H Solid door

Technical specifications	Data
Temperature range	+2/+20°C
Ambient temperature range	+10/+43°C
Software variant	K2+
K-Value	0.31 W/(m ² *K)
ATEX marking	II 3G Ex nA nC nL IIB T6 Gc
ATEX certificate	-
Gross volume	583 litres
Net volume	419 litres
Dimensions – H x B x D	695 x 875 x 1874/2075 mm
Refrigerant	R134a
Refrigerant charge	230 g
Refrigeration capacity at -10°C	314 Watt
GWP – CO ₂ e	328.9
Energy consumption – default setpoint	1.36 kWh/24h
Heat emission 100%	257 Watt
Heat emission default setpoint	56 Watt
Nominal consumption	314 Watt
Start current	11.4 A
Sound level	44.2 dB(A)

BioCompact II RR610H Glass door

Technical specifications	Data
Temperature range	+2/+20°C
Ambient temperature range	+10/+38°C
Software variant	K6+
K-Value	0.46 W/(m ² *K)
ATEX marking	II 3G Ex nA nC nL IIB T6 Gc
ATEX certificate	-
Gross volume	583 litres
Net volume	419 litres
Dimensions – H x B x D	695 x 875 x 1874/2075 mm
Refrigerant	R134a
Refrigerant charge	230 g
Refrigeration capacity at -10°C	314 Watt
GWP – CO ₂ e	N/A
Energy consumption – default setpoint	2.02 kWh/24h
Heat emission 100%	334 Watt
Heat emission default setpoint	269 Watt
Nominal consumption	329 Watt
Start current	11.4 A
Sound level	44.2 dB(A)

BioCompact II RF610H

Solid door

Technical specifications	Data
Temperature range	-25/-5°C
Ambient temperature range	+10/+43°C
Software variant	F51
K-Value	0.31 W/(m ² *K)
ATEX marking	II 3G Ex nA nC nL IIB T2 Gc
ATEX certificate	-
Gross volume	583 litres
Net volume	419 litres
Dimensions – H x B x D	695 x 875 x 1874/2075 mm
Refrigerant	R404a
Refrigerant charge	220 g
Refrigeration capacity at -25°C	616 Watt
GWP – CO ₂ e	862.85
Energy consumption – default setpoint	4.2 kWh/24h
Heat emission 100%	583 Watt
Heat emission default setpoint	175 Watt
Nominal consumption	613 Watt
Start current	19.6 A
Sound level	48.6 dB(A)

BioCompact II RR610G

BioCompact II RR610G Solid door

Technical specifications	Data
Temperature range	+2/+20°C
Ambient temperature range	+10/+43°C
Software variant	K2+
K-Value	0.31 W/(m ² *K)
ATEX marking	II 3G Ex nA nC nL IIB T6 Gc
ATEX certificate	-
Gross volume	583 litres
Net volume	419 litres
Dimensions – H x B x D	695 x 875 x 1874/2075 mm
Refrigerant	R600a
Refrigerant charge	102 g
Refrigeration capacity at -10°C	354 Watt
GWP – CO ₂ e	N/A
Energy consumption – default setpoint	1.15 kWh/24h
Heat emission 100%	205 Watt
Heat emission default setpoint	48 Watt
Nominal consumption	291 Watt
Start current	9.3 A
Sound level	44.2 dB(A)

BioCompact II RR610G Glass door

Technical specifications	Data
Temperature range	+2/+20°C
Ambient temperature range	+10/+38°C
Software variant	K6+
K-Value	0.46 W/(m ² *K)
ATEX marking	II 3G Ex nA nC nL IIB T6 Gc
ATEX certificate	-
Gross volume	583 litres
Net volume	419 litres
Dimensions – H x B x D	695 x 875 x 1874/2075 mm
Refrigerant	R600a
Refrigerant charge	102 g
Refrigeration capacity at -10°C	354 Watt
GWP – CO ₂ e	N/A
Energy consumption – default setpoint	1.9 kWh/24h
Heat emission 100%	240 Watt
Heat emission default setpoint	79 Watt
Nominal consumption	315 Watt
Start current	8 A
Sound level	44.2 dB(A)

BioCompact II RF610G

BioCompact II RF610G Solid door

Technical specifications	Data
Temperature range	-25/-5°C
Ambient temperature range	+10/+43°C
Software variant	F51
K-Value	0.31 W/(m ² *K)
ATEX marking	II 3G Ex nA nC nL IIB T2 Gc
ATEX certificate	-
Gross volume	583 litres
Net volume	419 litres
Dimensions – H x B x D	695 x 875 x 1874/2075 mm
Refrigerant	R290
Refrigerant charge	92 g
Refrigeration capacity at -25°C	512 Watt
GWP – CO ₂ e	N/A
Energy consumption – default setpoint	3.88 kWh/24h
Heat emission 100%	472 Watt
Heat emission default setpoint	162 Watt
Nominal consumption	485 Watt
Start current	13.1 A
Sound level	48.6 dB(A)



Declaration of conformity



English EC Declaration of Conformity

We, **Gram Commercial** declare under sole responsibility that the following products:

Range:	BioCompact II
Model:	210, 310, 410, 210/210 & 310/210
Refrigeration:	R600a & R134a
Product description:	Refrigerators and freezer for laboratory and biostorage
Valid from (Year/Week):	2022/02

To which this declaration relates, is in compliance with all the applicable essential requirements, and other provisions of the European Council Directive and regulations.

Directives and Regulations of the European Parliament and of the Council:

Machinery Directive 2006/42/EC
 - ATEX Directive 2014/34/EU
 - Pressure Equipment Directive 2014/68/EU
 - Low Voltage Directive 2014/35/EU
 - EMC Directive 2014/30/EU
 - RoHS Directive 2011/65/EU
 - REACH EC No.1907/2006
 - F-Gas Regulation (EU) No 517/2014

Product compliance has been demonstrated on the basis of:

Harmonized Standards:	Text:
EN 60601-1:2006	Medical electrical equipment – Part 1: General requirements for basic safety and essential performance
EN 60601-1-2:2015	Medical electrical equipment – Part 1-2: General requirements for basic safety and essential performance – Collateral Standard: Electromagnetic disturbances – Requirements and tests
EN 61010-1:2010	Safety requirements for electrical equipment for measurement, control, and laboratory use - Part 1: General requirements
EN 61326-1:2013	Electrical equipment for measurement, control and laboratory use – EMC requirements – Part 1: General requirements
EN IEC 61000-3-2:2019	Electromagnetic compatibility (EMC) – Part 3-2: Limits – Limits for harmonic current emissions (equipment input current =16 A per phase)
EN 61000-3-3:2013	Electromagnetic compatibility (EMC) – Part 3-3: Limits – Limitation of voltage changes, voltage fluctuations and flicker in public low-voltage supply systems, for equipment with rated current <= 16 A per phase and not subject to conditional connection
EN IEC 60079-0:2018 EN IEC 60079-0:2018/AC:2020	Explosive atmospheres – Part 0: Equipment – General requirements
EN 60079-7:2015 EN 60079-7:2015/A1:2018	Explosive atmospheres – Part 7: Equipment protection by increased safety "e"
EN 60079-11:2012	Explosive atmospheres – Part 11: Equipment protection by intrinsic safety "i"
EN IEC 60079-15:2019	Explosive atmospheres – Part 15: Equipment protection by type of protection "n"
EN 60079-18:2015	Explosive atmospheres – Part 18: Equipment protection by encapsulation "m"
EN ISO 3744:2010	Acoustics – Determination of sound power levels and sound energy levels of noise sources using sound pressure – Engineering methods for an essentially free field over a reflecting plane
EN ISO 9001:2015	Quality management systems – Requirements
EN ISO 14001:2015	Environmental management systems – Requirements with guidance for use

Gram Commercial
 Aage Grams Vej 1
 DK-6500 Voens
 Telephone: + 45 73 20 13 00

Voens, 11.1.2022

John B. S. Petersen
 Approval Manager

Rev. 005 – 11.1.2022



English EC Declaration of Conformity

We, **Gram Commercial** declare under sole responsibility that the following products:

Range:	BioCompact II
Model:	610
Refrigeration:	R600a, R290, R404A & R134a
Product description:	Refrigerators and freezer for laboratory and biostorage
Valid from (Year/Week):	2022/02

To which this declaration relates, is in compliance with all the applicable essential requirements, and other provisions of the European Council Directive and regulations.

Directives and Regulations of the European Parliament and of the Council:
Machinery Directive 2006/42/EC
- ATEX Directive 2014/34/EU
- Pressure Equipment Directive 2014/68/EU
- Low Voltage Directive 2014/35/EU
- EMC Directive 2014/30/EU
- RoHS Directive 2011/65/EU
- REACH EC No.1907/2006
- F-Gas Regulation (EU) No 517/2014

Product compliance has been demonstrated on the basis of:

Harmonized Standards:	Text:
EN 61010-1:2010	Safety requirements for electrical equipment for measurement, control, and laboratory use – Part 1: General requirements
EN 60601-1:2006	Medical electrical equipment. General requirements for basic safety and essential performance
EN 60601-1-2:2015	Medical electrical equipment – Part 1-2: General requirements for basic safety and essential performance - Collateral standard: Electromagnetic compatibility - Requirements and tests
EN 60079-0:2012	Electrical apparatus for explosive atmospheres – Part 0: General requirements
EN 60079-11:2012	Explosive atmospheres – Part 11: Equipment protection by intrinsic safety "i"
EN 60079-15:2010	Explosive atmospheres – Part 15: Equipment protection by type of protection "n"
EN 60079-25:2010	Explosive atmospheres – Part 25: Intrinsically safe systems
EN ISO 3744:2010	Acoustics – Determination of sound power levels of noise sources using sound pressure - Engineering method in an essentially free field over a reflecting plane
EN ISO 9001:2015	Quality management systems
EN ISO 14001:2015	Environment management systems – Requirements with guidance for use

Gram Commercial
 Aage Grams Vej 1
 DK-6500 Vojens
 Telephone: + 45 73 20 13 00

Vojens, 12.1.2022



John B. S. Petersen
 Approval Manager



English EC Declaration of Conformity

We, **Gram Commercial** declare under sole responsibility that the following products:

Range:	BioCompact II (Accessorie code 69)
Model:	210, 310, 410, 210/210 & 310/210
Refrigeration:	R600a & R134a
Product description:	Refrigerators and freezer for laboratory and biostorage
Valid from (Year/Week):	2022/02

To which this declaration relates, is in compliance with all the applicable essential requirements, and other provisions of the European Council Directive and regulations.

Directives and Regulations of the European Parliament and of the Council:

Machinery Directive 2006/42/EC
- Pressure Equipment Directive 2014/68/EU
- Low Voltage Directive 2014/35/EU
- EMC Directive 2014/30/EU
- RoHS Directive 2011/65/EU
- REACH EC No.1907/2006
- F-Gas Regulation (EU) No 517/2014

Product compliance has been demonstrated on the basis of:

Harmonized Standards:	Text:
EN 60601-1:2006	Medical electrical equipment – Part 1: General requirements for basic safety and essential performance
EN 60601-1-2:2015	Medical electrical equipment – Part 1-2: General requirements for basic safety and essential performance – Collateral Standard: Electromagnetic disturbances – Requirements and tests
EN 61010-1:2010	Safety requirements for electrical equipment for measurement, control, and laboratory use - Part 1: General requirements
EN 61326-1:2013	Electrical equipment for measurement, control and laboratory use – EMC requirements – Part 1: General requirements
EN IEC 61000-3-2:2019	Electromagnetic compatibility (EMC) – Part 3-2: Limits – Limits for harmonic current emissions (equipment input current =16 A per phase)
EN 61000-3-3:2013	Electromagnetic compatibility (EMC) – Part 3-3: Limits – Limitation of voltage changes, voltage fluctuations and flicker in public low-voltage supply systems, for equipment with rated current <= 16 A per phase and not subject to conditional connection
DIN 58345:2007	Refrigerators for drugs – Definitions, requirements, testing
EN ISO 3744:2010	Acoustics – Determination of sound power levels and sound energy levels of noise sources using sound pressure – Engineering methods for an essentially free field over a reflecting plane
EN ISO 9001:2015	Quality management systems – Requirements
EN ISO 14001:2015	Environmental management systems – Requirements with guidance for use

Gram Commercial
Aage Grams Vej 1
DK-6500 Vojens
Telephone: + 45 73 20 13 00

Vojens, 14.1.2022

John B. S. Petersen
Approval Manager



English EC Declaration of Conformity

We, **Gram Commercial** declare under sole responsibility that the following products:

Range:	BioCompact II (Accessorie code 69)
Model:	610
Refrigeration:	R600a, R290, R404A & R134a
Product description:	Refrigerators and freezer for laboratory and biostorage
Valid from (Year/Week):	2022/02

To which this declaration relates, is in compliance with all the applicable essential requirements, and other provisions of the European Council Directive and regulations.

Directives and Regulations of the European Parliament and of the Council:
Machinery Directive 2006/42/EC - Pressure Equipment Directive 2014/68/EU - Low Voltage Directive 2014/35/EU - EMC Directive 2014/30/EU - RoHS Directive 2011/65/EU - REACH EC No.1907/2006 - F-Gas Regulation (EU) No 517/2014

Product compliance has been demonstrated on the basis of:

Harmonized Standards:	Text:
EN 61010-1:2010	Safety requirements for electrical equipment for measurement, control, and laboratory use – Part 1: General requirements
EN 60601-1:2006	Medical electrical equipment. General requirements for basic safety and essential performance
EN 60601-1-2:2015	Medical electrical equipment – Part 1-2: General requirements for basic safety and essential performance - Collateral standard: Electromagnetic compatibility - Requirements and tests
DIN 58345:2007	Refrigerators for drugs – Definitions, requirements, testing
EN ISO 3744:2010	Acoustics – Determination of sound power levels of noise sources using sound pressure - Engineering method in an essentially free field over a reflecting plane
EN ISO 9001:2015	Quality management systems
EN ISO 14001:2015	Environment management systems – Requirements with guidance for use

Gram Commercial
Aage Grams Vej 1
DK-6500 Vojens
Telephone: + 45 73 20 13 00

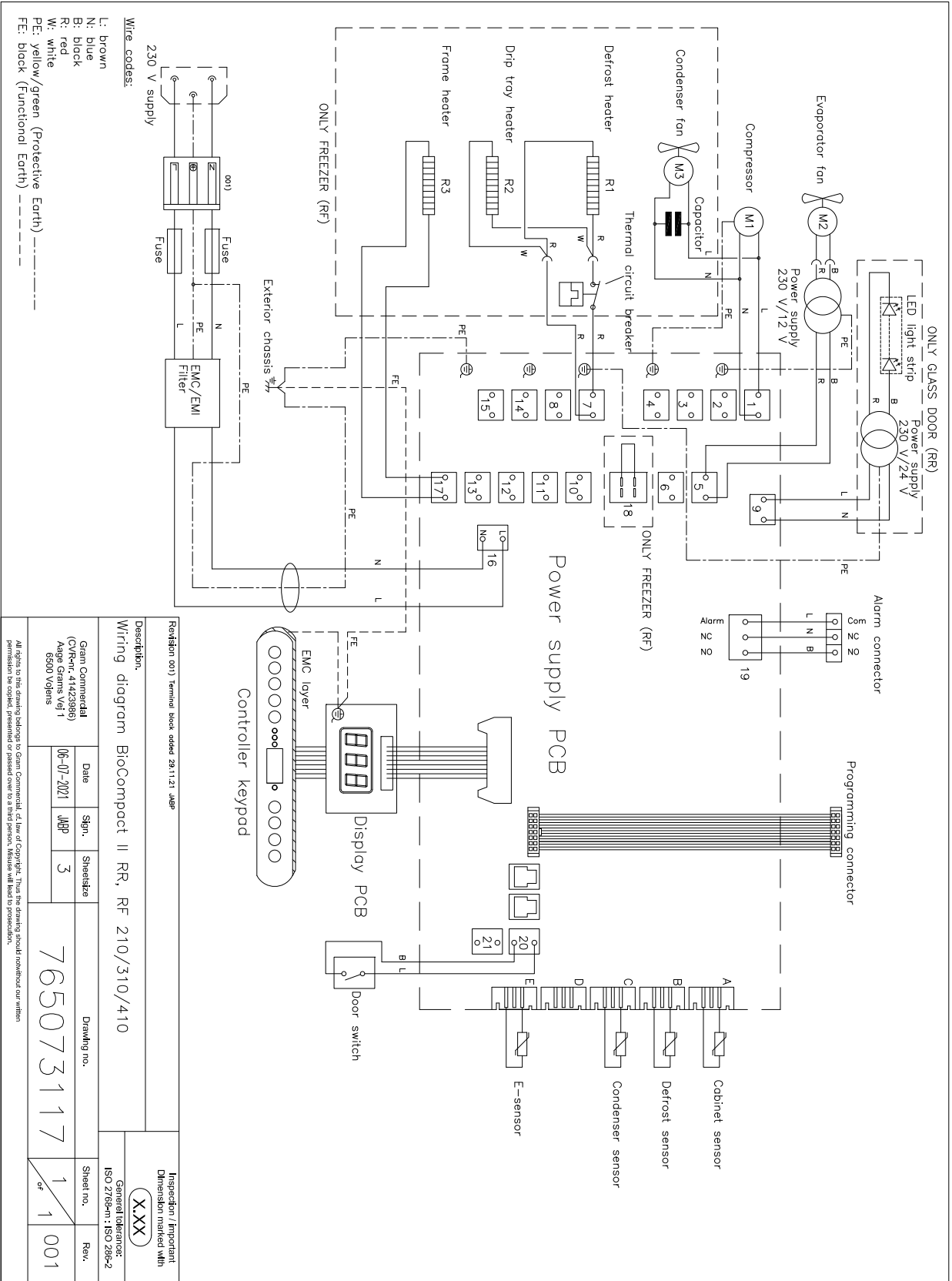
Vojens, 14.1.2022



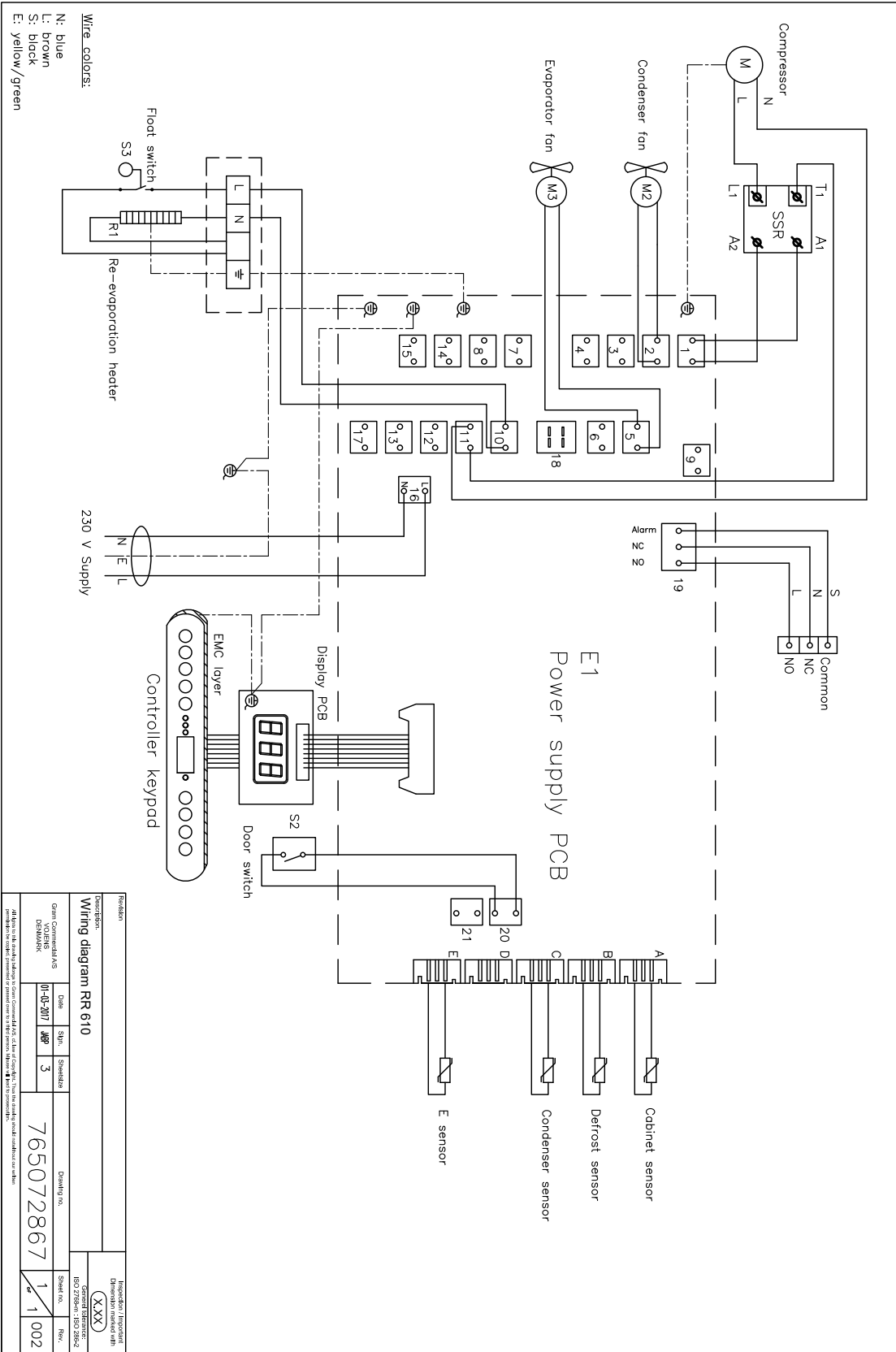
John B. S. Petersen
Approval Manager

Wiring diagram

BioCompact II RR210/310/410

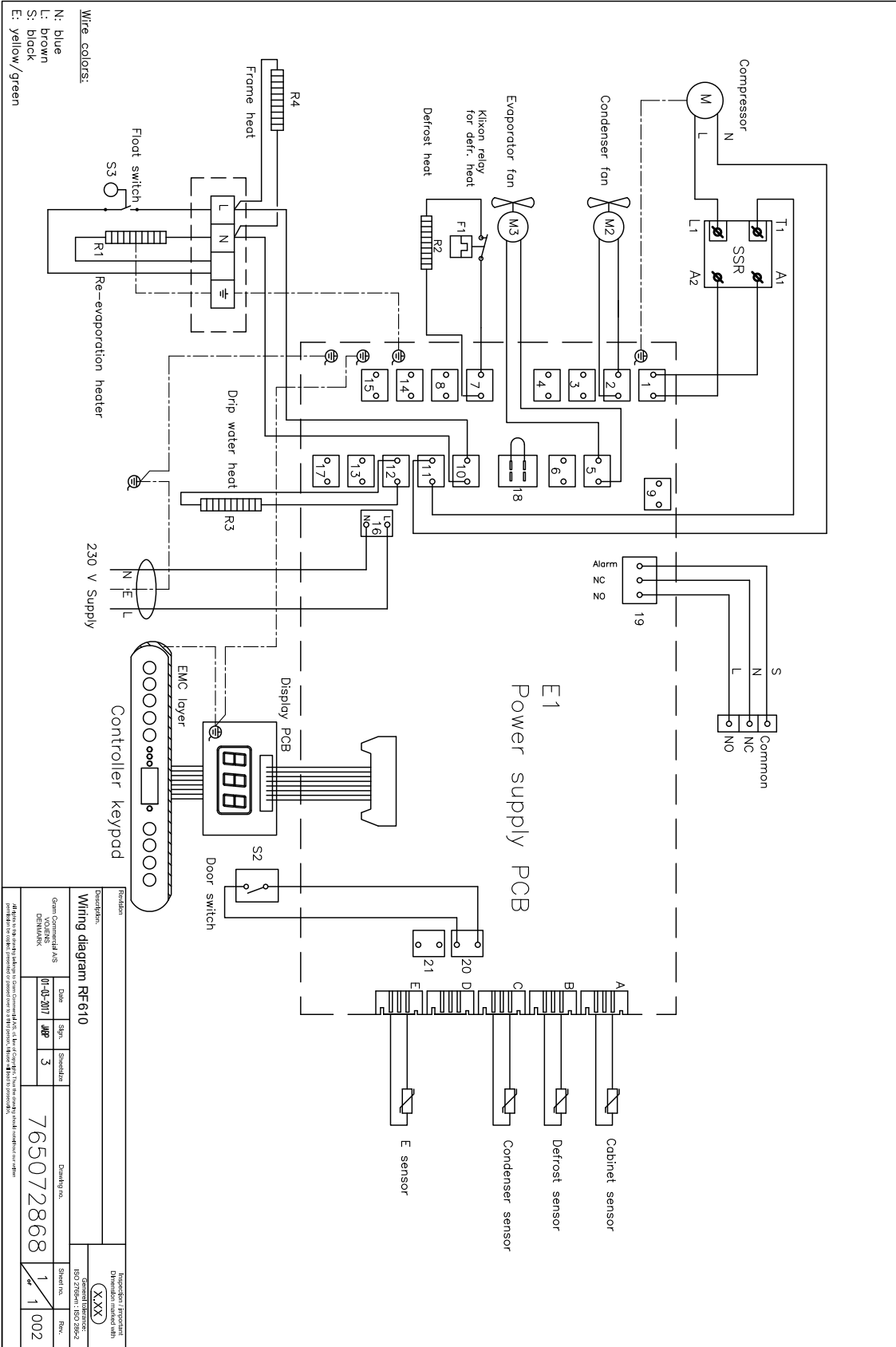


BioCompact II RR610 - with solid door



Revision		Inspector/Inspector	
Description		Dimensionen nach DIN	
Wiring diagram RR 610		(XXX)	
Order Code	Date	Sign.	Schreibzeit
01-01-2017	1/17	3	
Order Code	Drawing no.	Sheet no.	Rev.
765072867	1	1	002

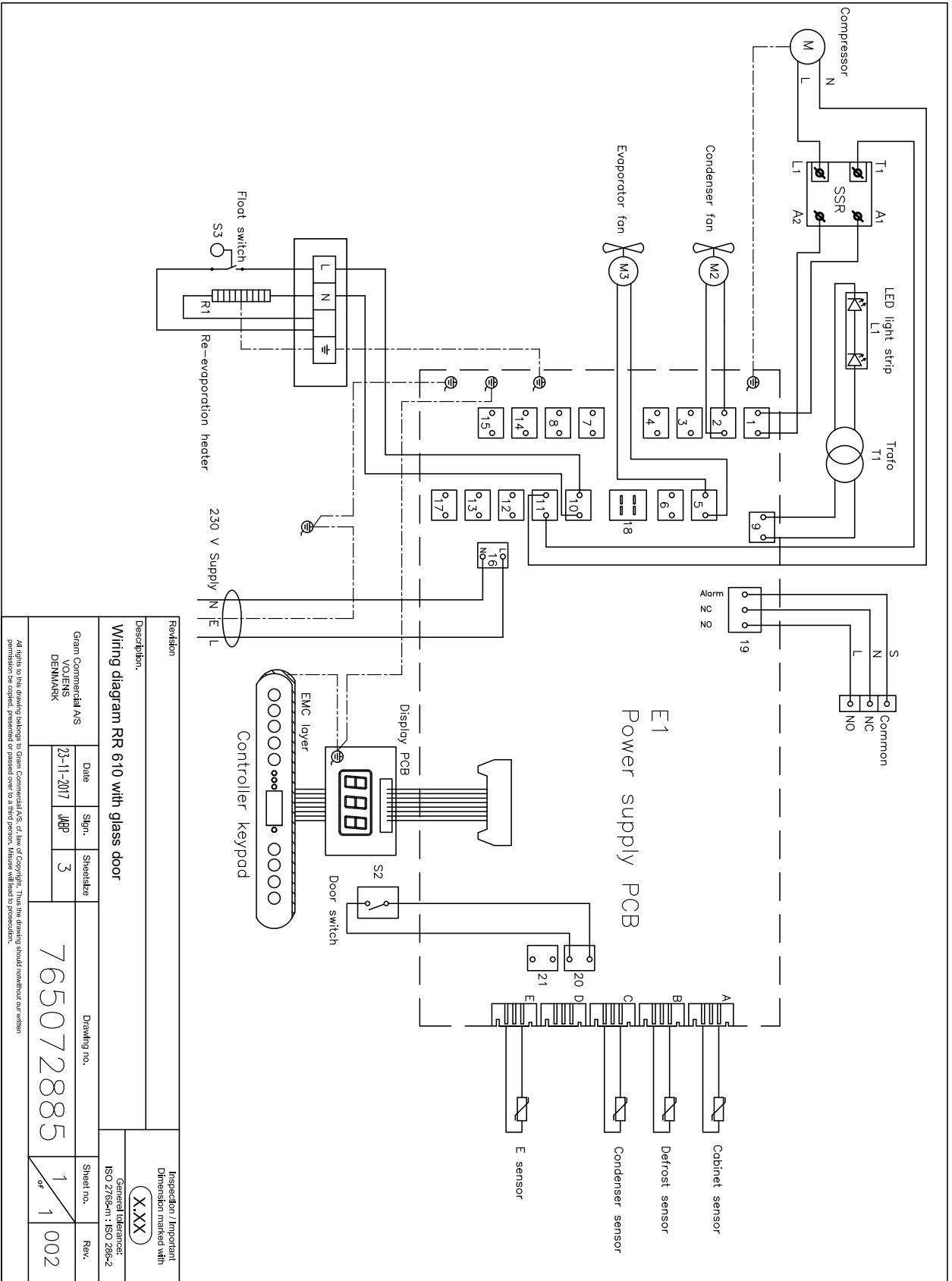
BioCompact II RF610 - with solid door



Revision		Inspector / Precursor	
Description:		Divergence marked with (XXX)	
Wiring diagram RF 610			
Drawn by:	765072868	Sheet no.:	1
Date:	01-12-2017	Sign.:	3
Drawn by:	JMP	Sheet no.:	1
Drawn by:	765072868	Rev.:	002

All rights reserved. No part of this publication may be reproduced, stored in a retrieval system, or transmitted, in any form or by any means, electronic, mechanical, photocopying, recording, or by any information storage and retrieval system, without the prior written permission of the copyright owner.

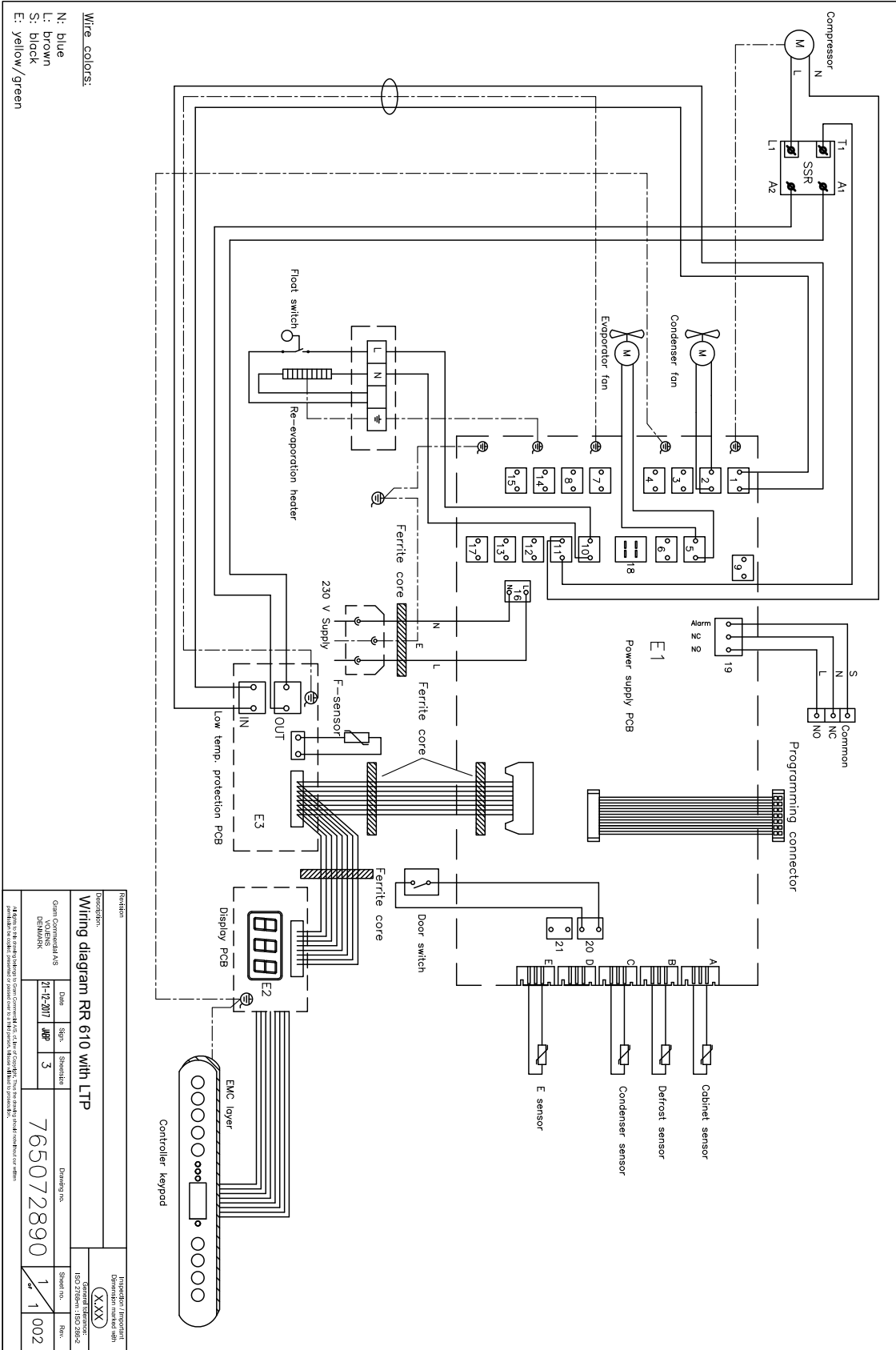
BioCompact II RR610 - with glass door



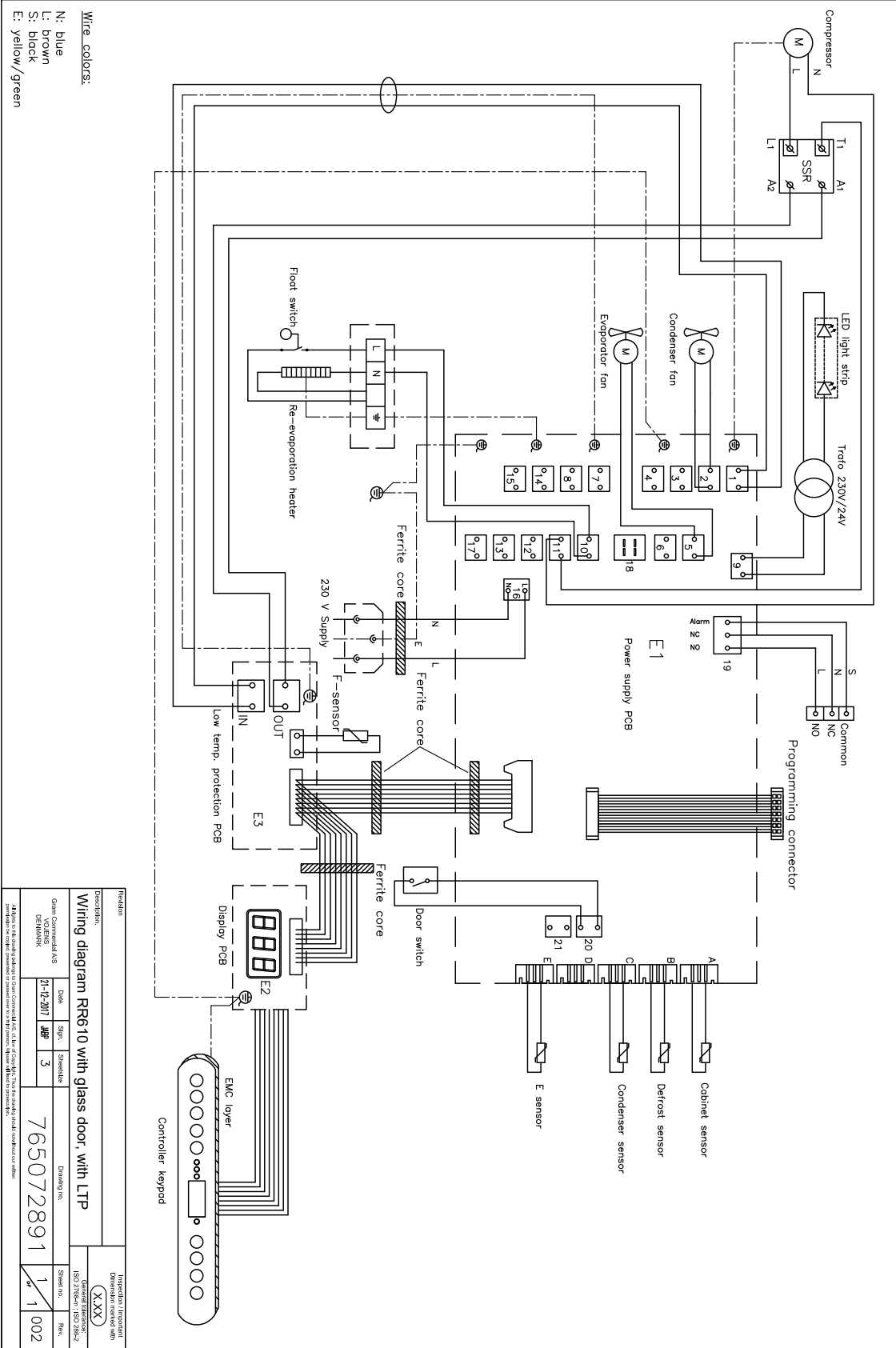
Revision		Description		Inspection / Important Dimension marked with (XXX)	
Wiring diagram RR 610 with glass door		Gram Commercial AS VOJENS DENMARK		General tolerance: ISO 2768m1, ISO 2004-2	
Date	Sign.	Sheet size	Drawing no.		
23-11-2017	JBP	3	765072885		
Sheet no.			Rev.		
1			002		

All rights to this drawing belongs to Gram Commercial AS. At time of Copyright. This drawing should not be reproduced without our written permission. Any changes, additions or deletions should be marked on a separate sheet and approved by the responsible person. Please refer to the drawing for details.

BioCompact II RR610 – with solid door, with LTP



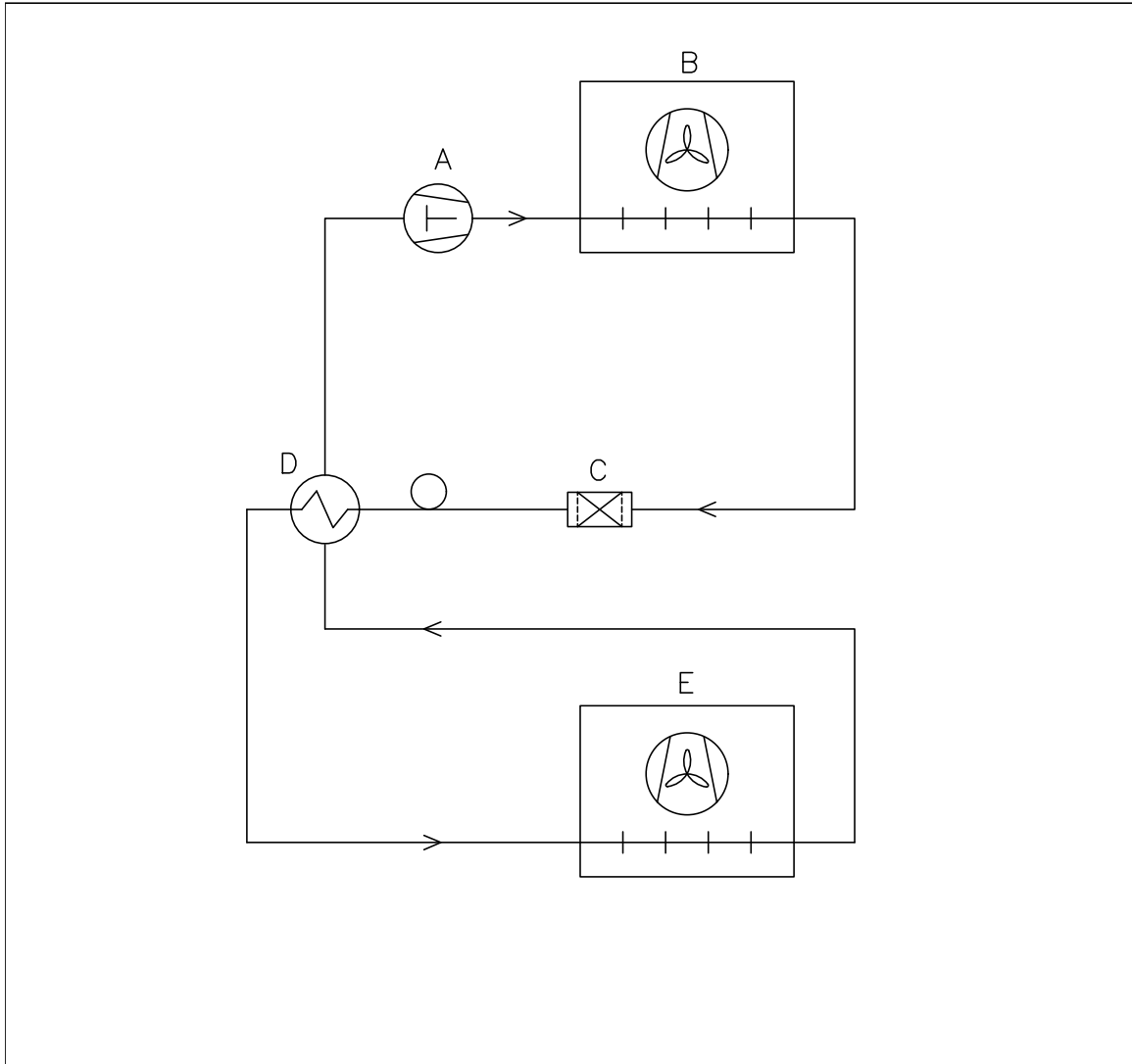
BioCompact II RR610 – with glass door, with LTP



Revision		Inspector / Inspector	
Description:		Drawing reference:	
Wiring diagram RR610 with glass door, with LTP		R02 270801-1282 2824	
Gen. Commercial A/S	Date	Sign.	Signature
COLENS	21-12-2017	WJF	3
DEWILMINK			
	Drawn by:	Sheet no.	Rev.
	765072891	1	1
		002	

* All Rights reserved. No part of this document may be reproduced, stored in a retrieval system, or transmitted, in any form or by any means, electronic, mechanical, photocopying, recording, or by any information storage and retrieval system, without the prior written permission of Bioline.

Piping diagram



	DK	GB	D			
A	Kompressor	Compressor	Kompressor			
B	Kondensator	Condenser	Verflüssiger			
C	Tørrefilter	Filter drier	Trockenfilter			
D	Varmeudveksler	Heat exchanger	Wärmeaustauscher			
E	Fordamper	Evaporator	Verdampfer			
Revision			Inspection / important Dimension marked with			
Description.			(X.XX)			
Piping diagram BioCompact II			General tolerance: ISO 2768-m : ISO 286-2			
Gram Commercial (CVR-nr. 41423986) Aage Grams Vej 1 6500 Vojens	Date	Sign.	Sheetsize	Drawing no.	Sheet no.	Rev.
	18-01-2022	JABP	4			
All rights to this drawing belongs to Gram Commercial A/S, cf. law of Copyright. Thus the drawing should not without our written permission be copied, presented or passed over to a third person. Misuse will lead to prosecution.						





Gram Commercial
Aage Grams Vej 1 · 6500 Vojens · Denmark
Tel: +45 73 20 13 00
e-mail: info@gram-bioline.com
www.gram-bioline.com
Gram Commercial, filial af Hoshizaki Europe BV, Holland

