

Spare parts - BioMidi
RR/RF 425/625 RH/LH/CH

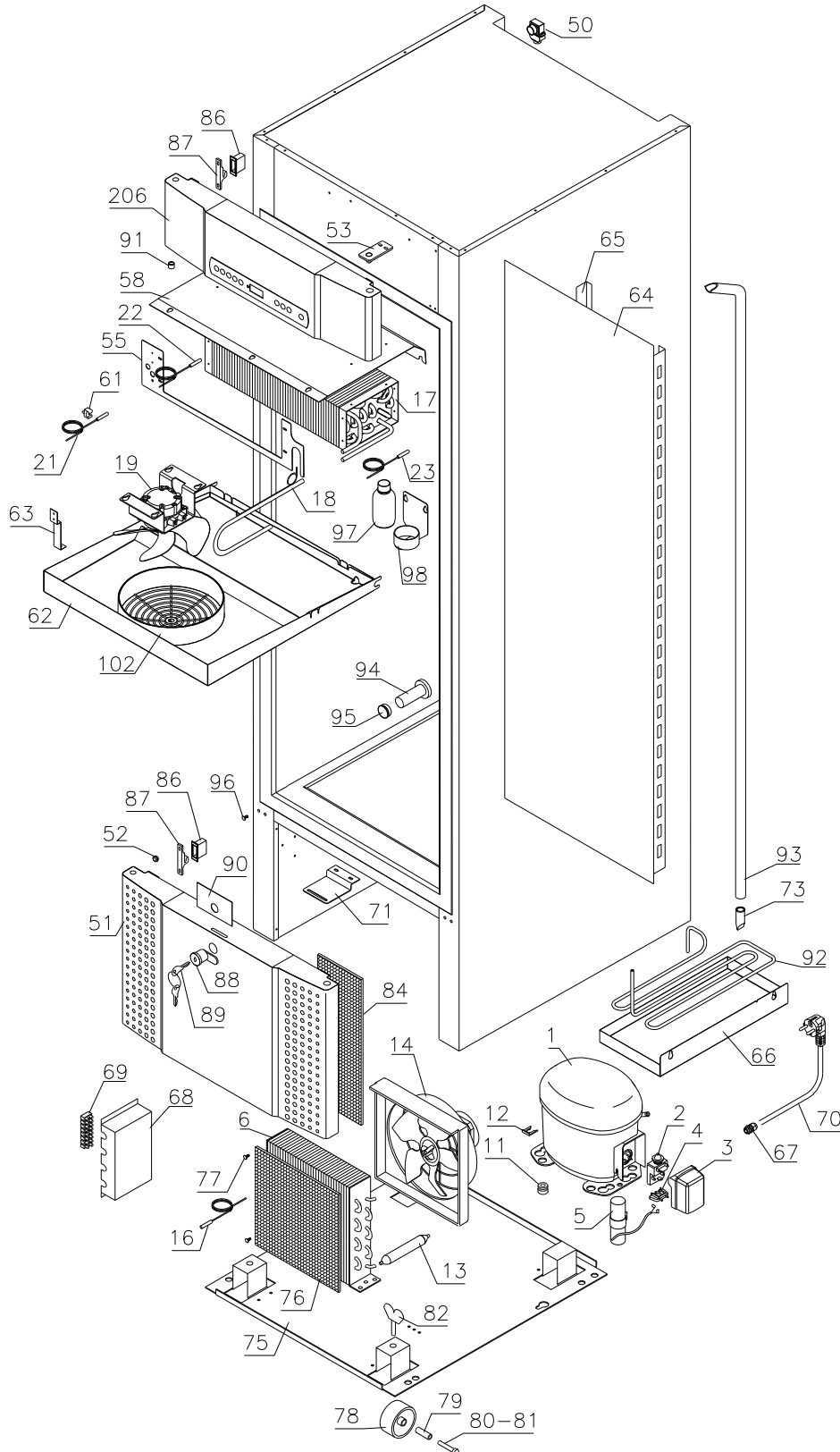


Description :

**Spare parts list for BioMidi
RR/RF 425/625 RH/LH/CH**

| Compiled. | | Latest revision. | | | Deleted. | |
|-----------|------|------------------|------|--------|----------|------|
| Date | Name | Date | Name | Rev.no | Date | Name |
| 26.06.07 | JP | 23.10.20 | JP | 031 | | |

RR 425/625 w/solid door

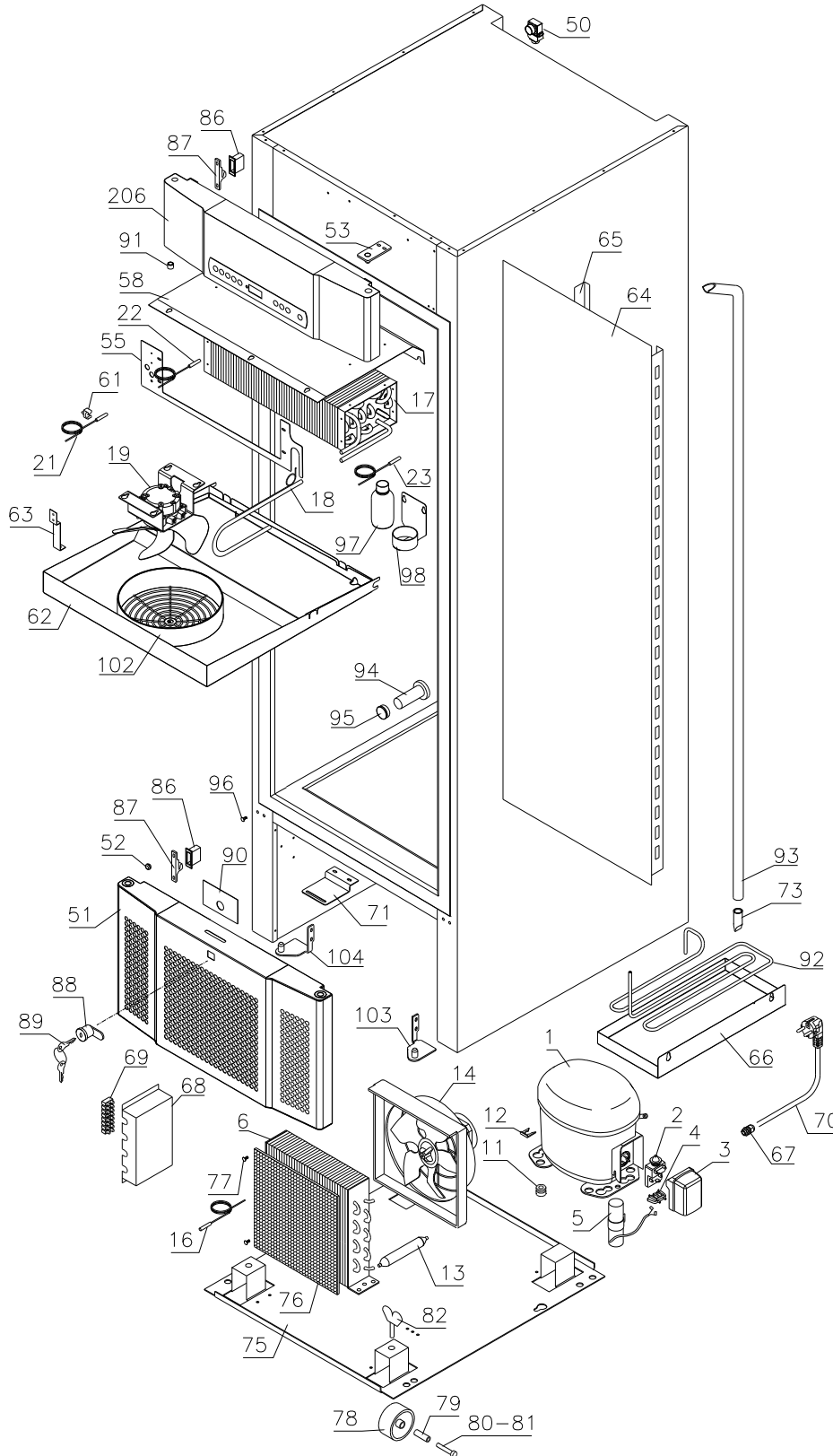


Description :

**Spare parts list for BioMidi
RR/RF 425/625 RH/LH/CH**

| Compiled. | | Latest revision. | | | Deleted. | |
|-----------|------|------------------|------|--------|----------|------|
| Date | Name | Date | Name | Rev.no | Date | Name |
| 26.06.07 | JP | 23.10.20 | JP | 031 | | |

RR 425/625 w/glass door

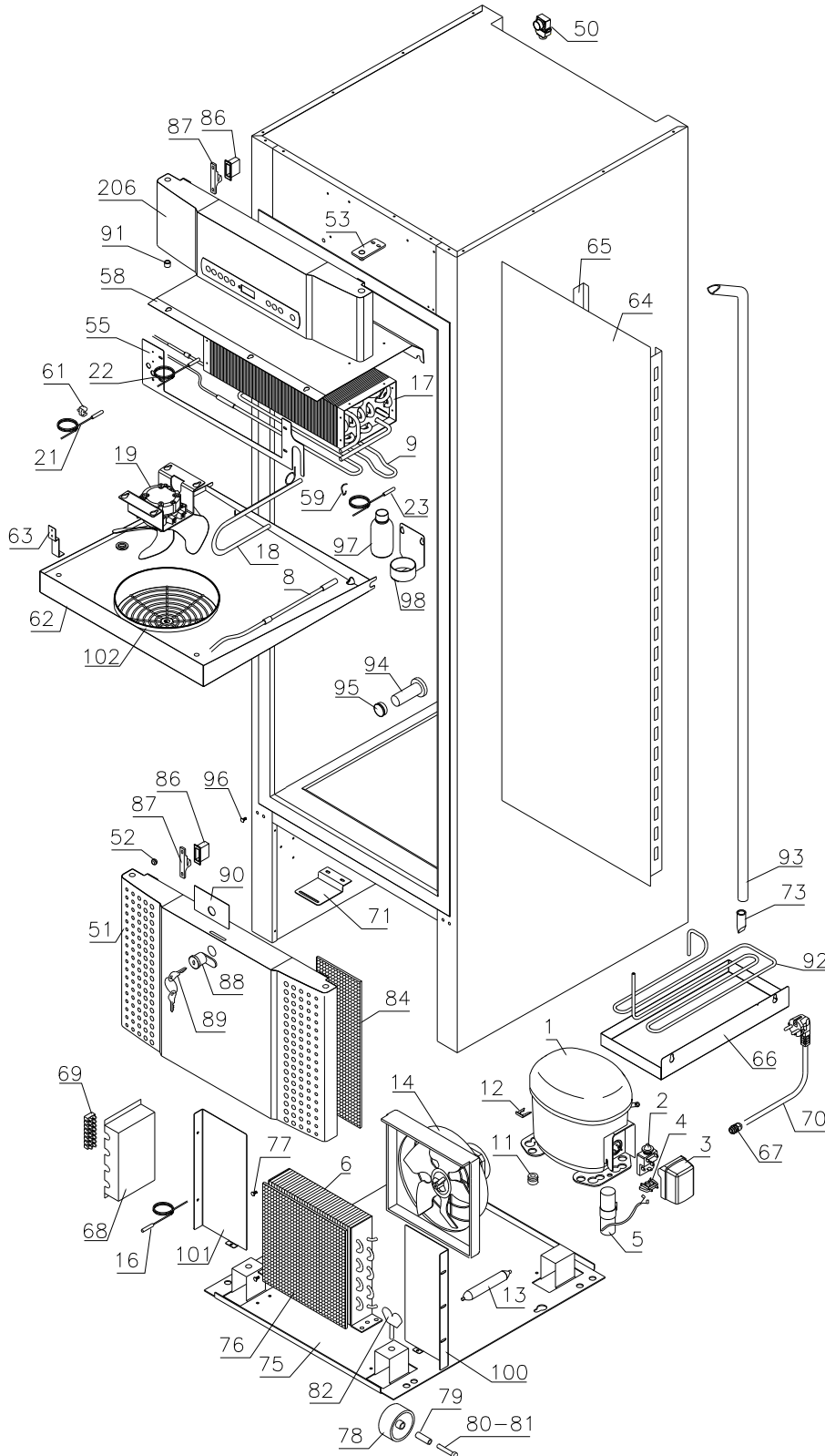


Description :

**Spare parts list for BioMidi
RR/RF 425/625 RH/LH/CH**

| Compiled. | | Latest revision. | | | Deleted. | |
|-----------|------|------------------|------|--------|----------|------|
| Date | Name | Date | Name | Rev.no | Date | Name |
| 26.06.07 | JP | 23.10.20 | JP | 031 | | |

RF 425

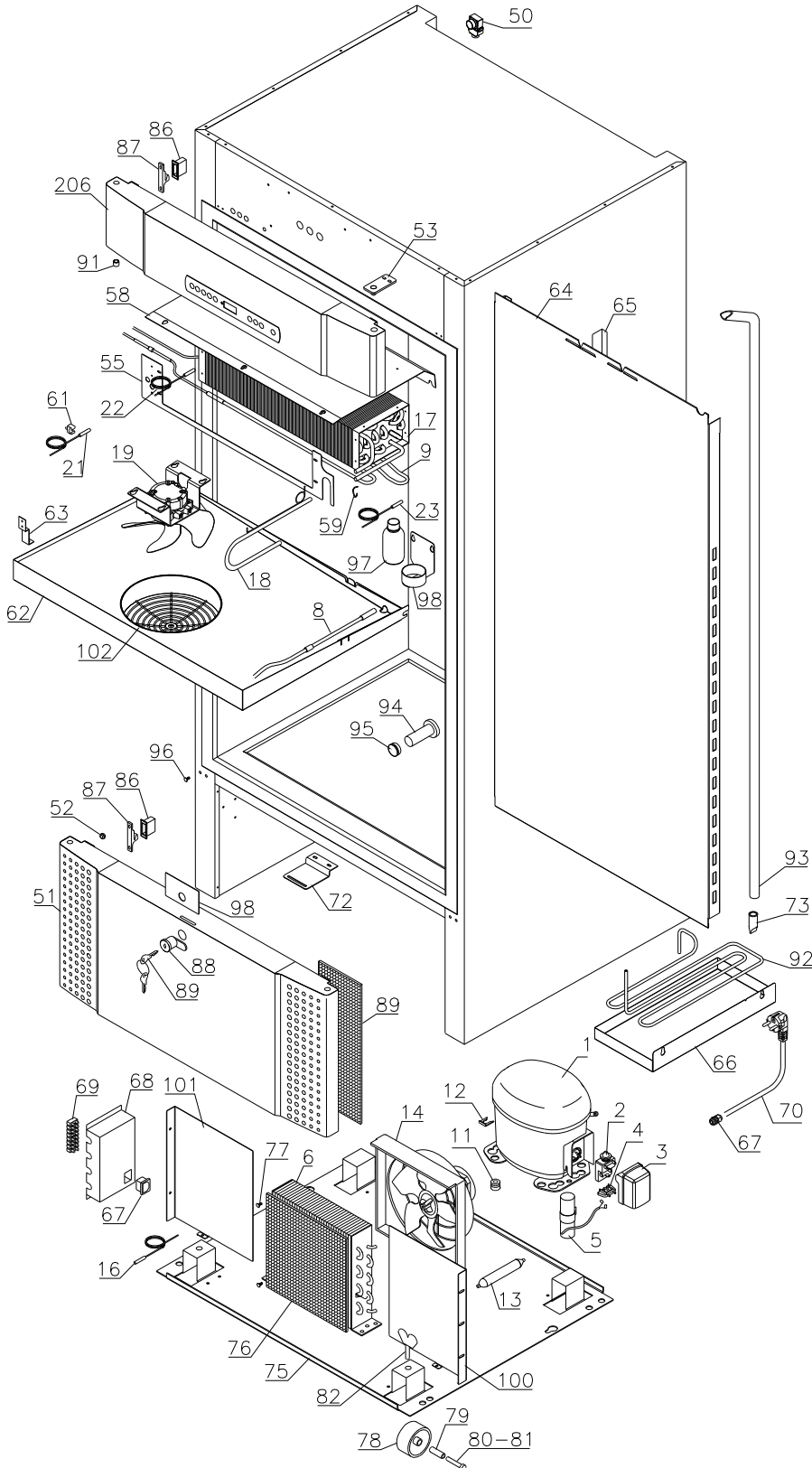


Description :

**Spare parts list for BioMidi
RR/RF 425/625 RH/LH/CH**

| Compiled. | | Latest revision. | | | Deleted. | |
|-----------|------|------------------|------|--------|----------|------|
| Date | Name | Date | Name | Rev.no | Date | Name |
| 26.06.07 | JP | 23.10.20 | JP | 031 | | |

RF 625



Description :

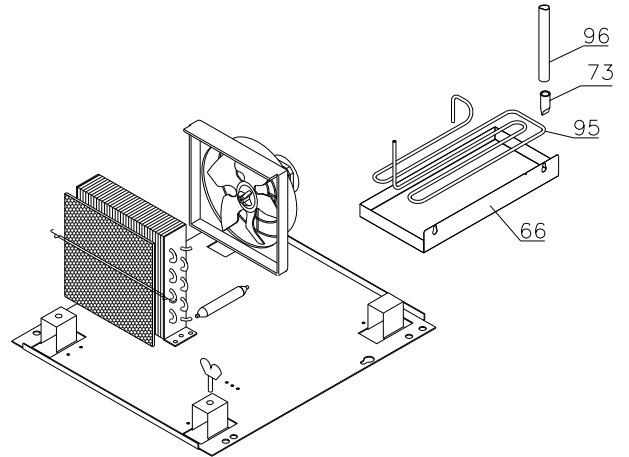
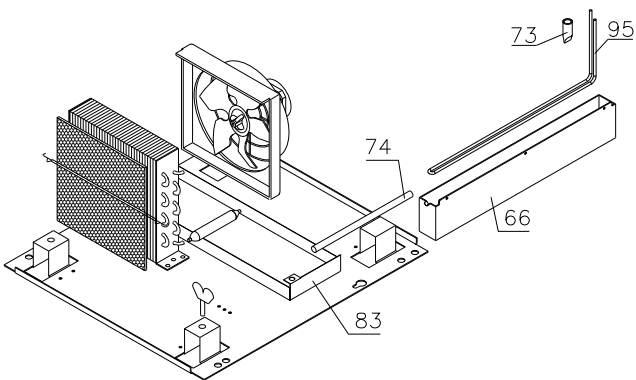
**Spare parts list for BioMidi
RR/RF 425/625 RH/LH/CH**

| Compiled. | | Latest revision. | | | Deleted. | |
|-----------|------|------------------|------|--------|----------|------|
| Date | Name | Date | Name | Rev.no | Date | Name |
| 26.06.07 | JP | 23.10.20 | JP | 031 | | |

Re-evaporation parts

1207 – 4308

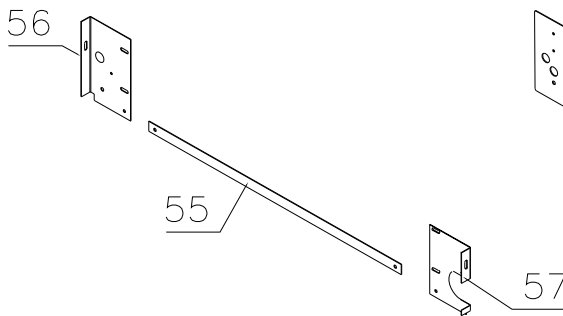
4308 -



Evaporator cover

1207 – 1009

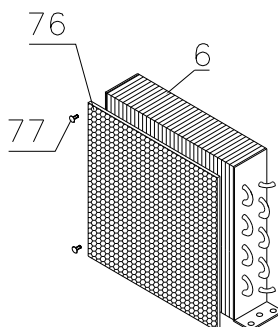
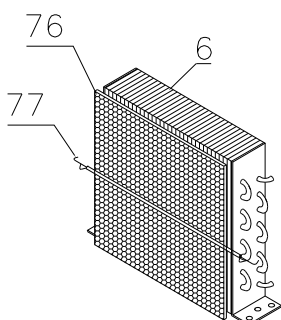
1009 -



Condenser filter

1207 – 2809

2809 -



Description :

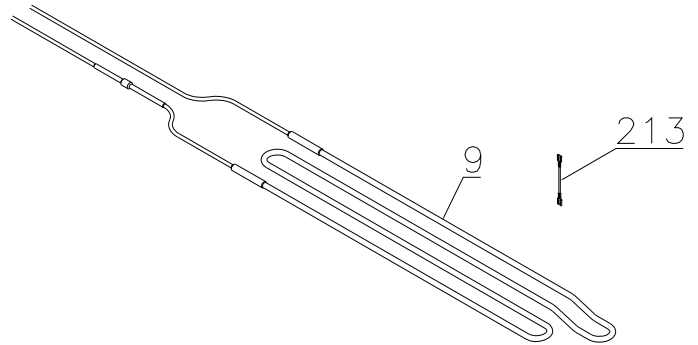
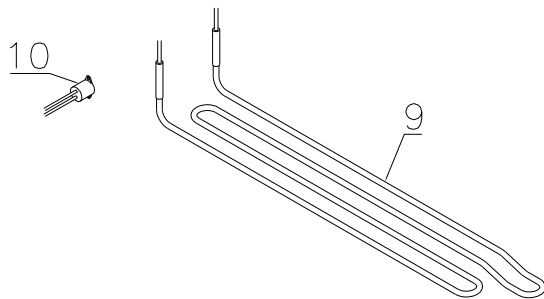
**Spare parts list for BioMidi
RR/RF 425/625 RH/LH/CH**

| Compiled. | | Latest revision. | | | Deleted. | |
|-----------|------|------------------|------|--------|----------|------|
| Date | Name | Date | Name | Rev.no | Date | Name |
| 26.06.07 | JP | 23.10.20 | JP | 031 | | |

Defrost heater – RF 425/625

625: 1207 – 2811
425: 1207 – 0112

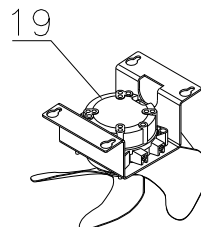
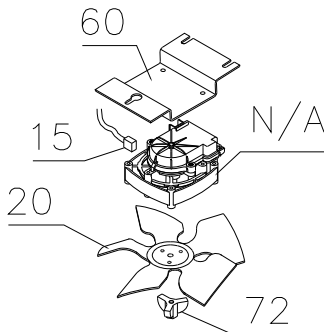
625: 2811 -
425: 0112 -



Evaporator fan

1207 – 3620

3620 -



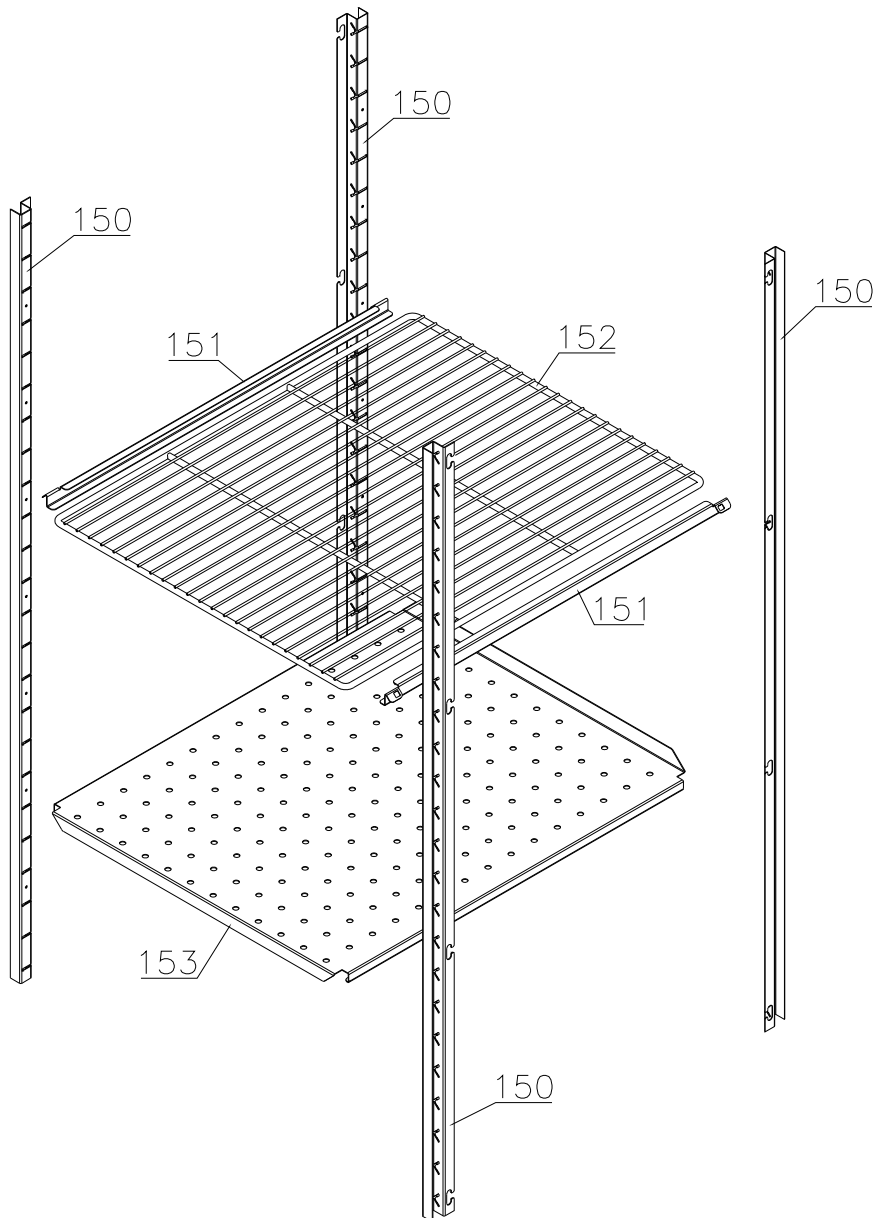
Description :

**Spare parts list for BioMidi
 RR/RF 425/625 RH/LH/CH**

| Compiled. | | Latest revision. | | | Deleted. | |
|-----------|------|------------------|------|--------|----------|------|
| Date | Name | Date | Name | Rev.no | Date | Name |
| 26.06.07 | JP | 23.10.20 | JP | 031 | | |

Interior equipment

Shelves:



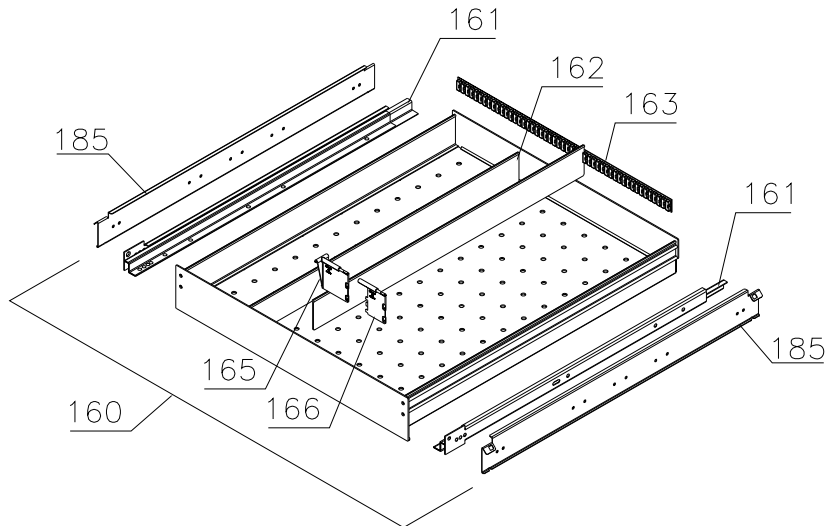
Description :

**Spare parts list for BioMidi
RR/RF 425/625 RH/LH/CH**

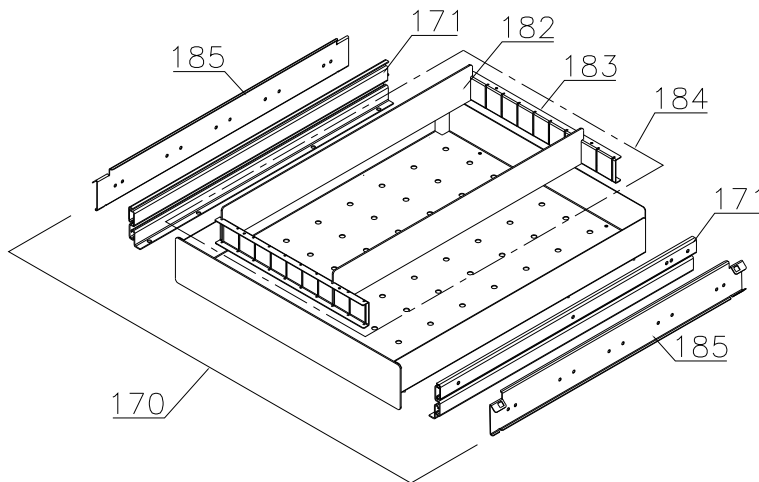
| Compiled. | | Latest revision. | | | Deleted. | |
|-----------|------|------------------|------|--------|----------|------|
| Date | Name | Date | Name | Rev.no | Date | Name |
| 26.06.07 | JP | 23.10.20 | JP | 031 | | |

Drawers:

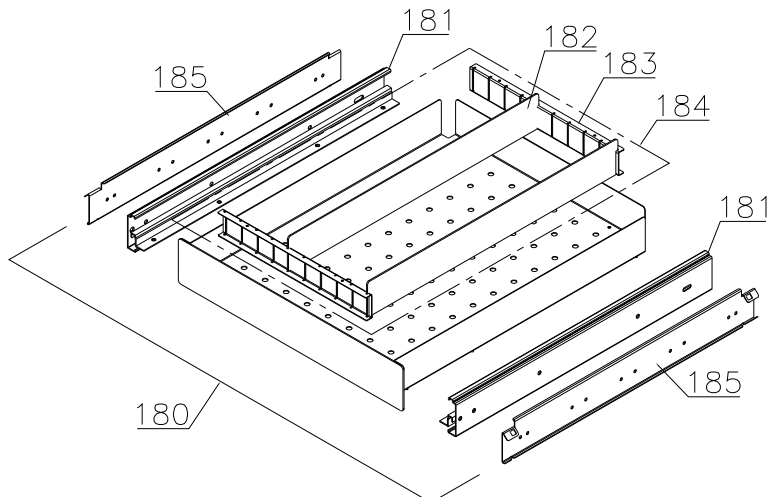
Alu



Stainless – 30 kg



Stainless – 40 kg

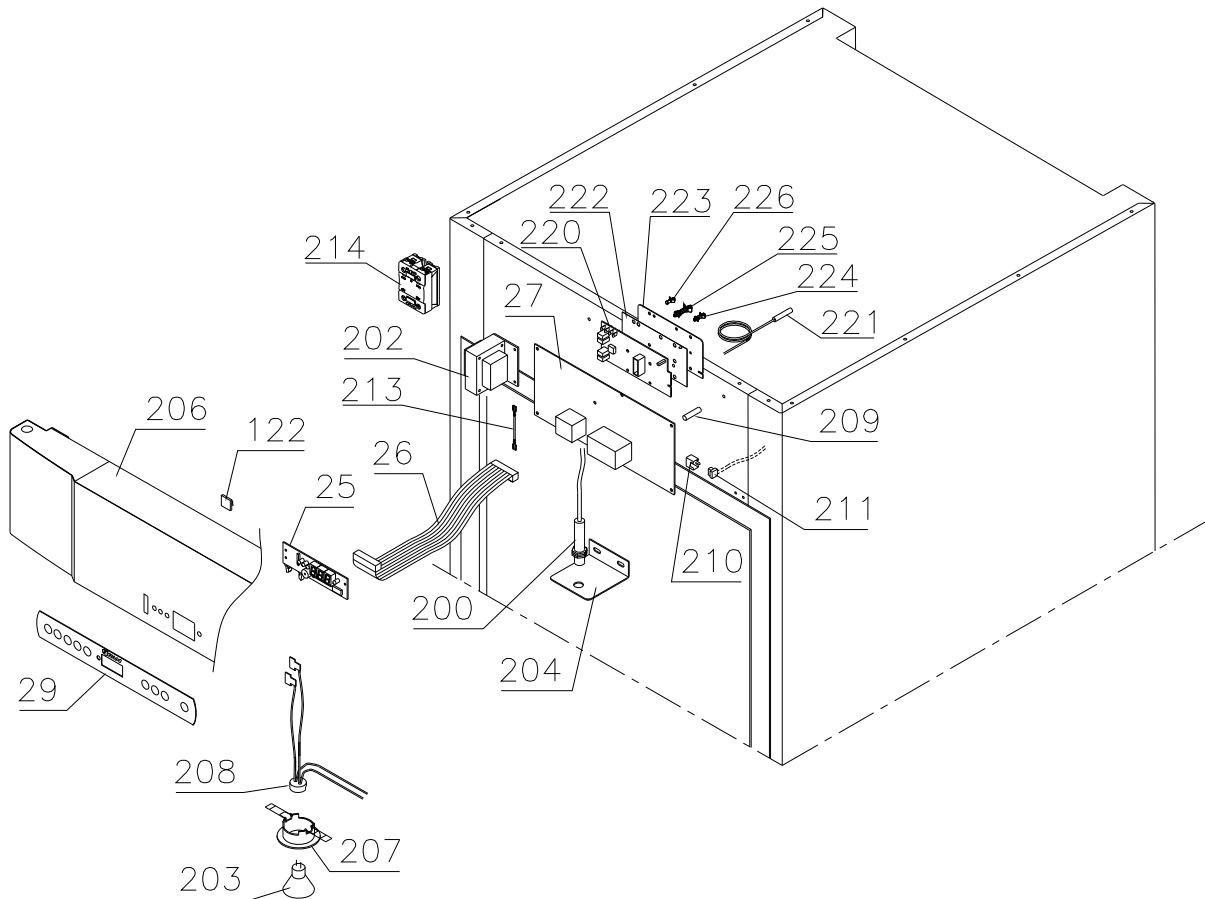


Description :

**Spare parts list for BioMidi
 RR/RF 425/625 RH/LH/CH**

| Compiled. | | Latest revision. | | | Deleted. | |
|-----------|------|------------------|------|--------|----------|------|
| Date | Name | Date | Name | Rev.no | Date | Name |
| 26.06.07 | JP | 23.10.20 | JP | 031 | | |

Control panel/electrical parts



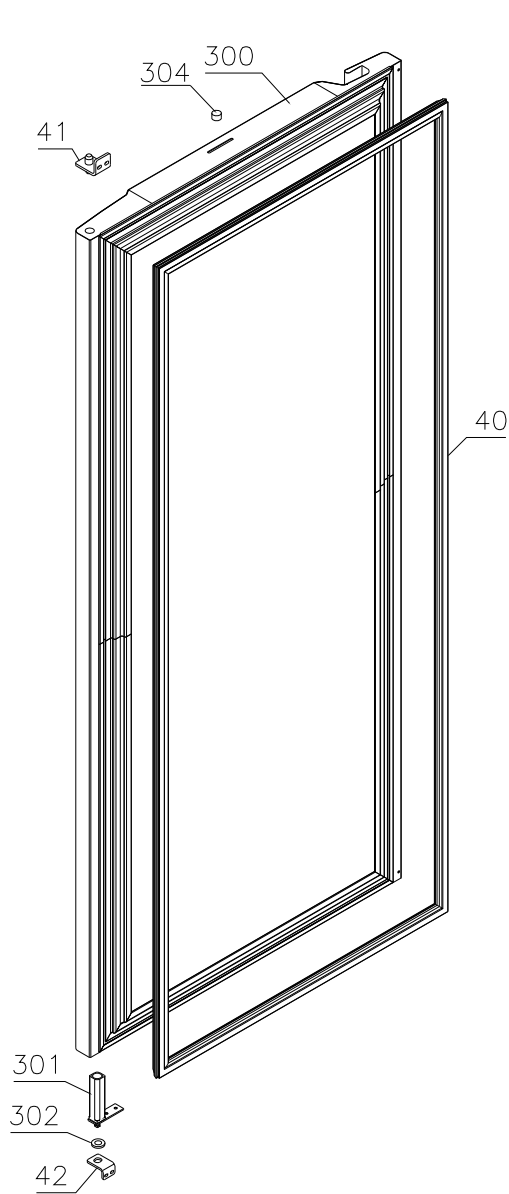
Description :

**Spare parts list for BioMidi
RR/RF 425/625 RH/LH/CH**

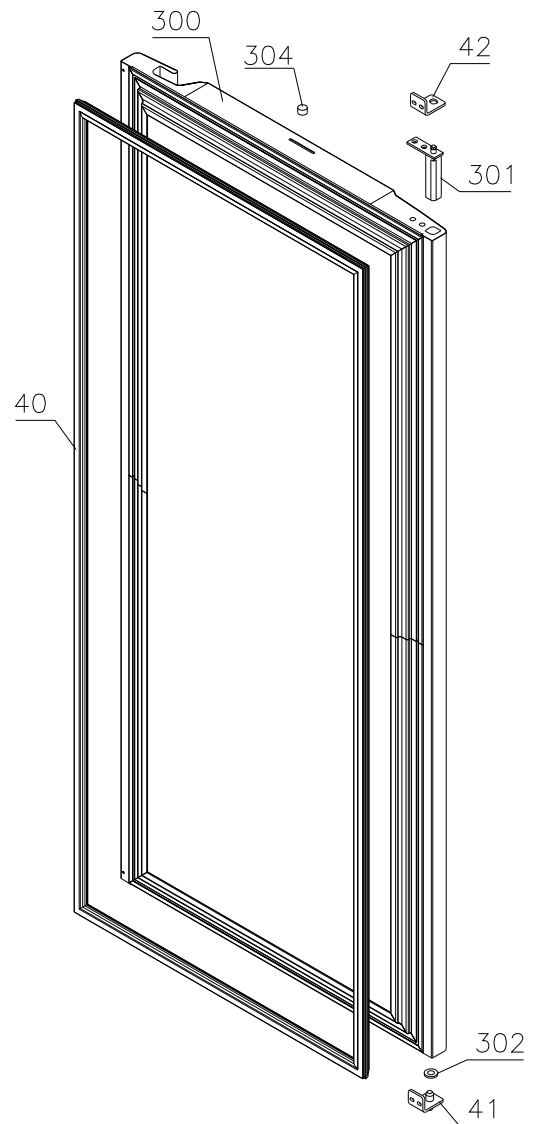
| Compiled. | | Latest revision. | | | Deleted. | |
|-----------|------|------------------|------|--------|----------|------|
| Date | Name | Date | Name | Rev.no | Date | Name |
| 26.06.07 | JP | 23.10.20 | JP | 031 | | |

Door

Righthand:



Lefthand:



Description :

**Spare parts list for BioMidi
 RR/RF 425/625 RH/LH/CH**

| Compiled. | | Latest revision. | | | Deleted. | |
|-----------|------|------------------|------|--------|----------|------|
| Date | Name | Date | Name | Rev.no | Date | Name |
| 26.06.07 | JP | 23.10.20 | JP | 031 | | |

Glass door

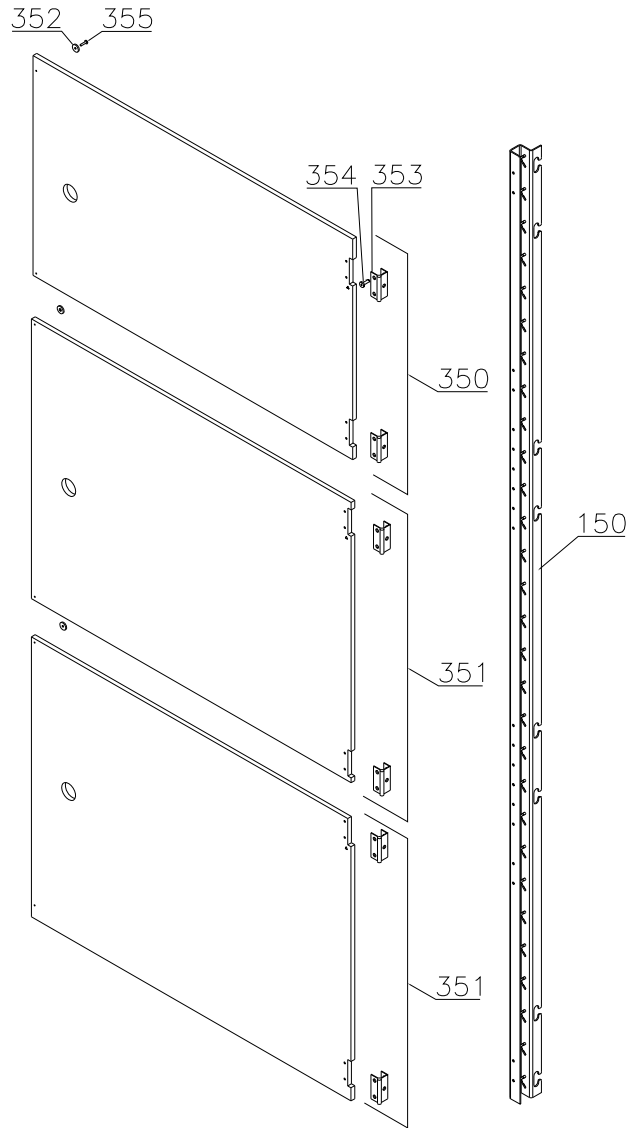


Description :

**Spare parts list for BioMidi
 RR/RF 425/625 RH/LH/CH**

| Compiled. | | Latest revision. | | | Deleted. | |
|-----------|------|------------------|------|--------|----------|------|
| Date | Name | Date | Name | Rev.no | Date | Name |
| 26.06.07 | JP | 23.10.20 | JP | 031 | | |

Draught shields



Description :

**Spare parts list for BioMidi
RR/RF 425/625 RH/LH/CH**

| Compiled. | | Latest revision. | | | Deleted. | |
|-----------|------|------------------|------|--------|----------|------|
| Date | Name | Date | Name | Rev.no | Date | Name |
| 26.06.07 | JP | 23.10.20 | JP | 031 | | |

| Item No. | Description | Gram part No. | week/year Issued | week/year Deleted |
|----------|-------------|---------------|---------------------|----------------------|
|----------|-------------|---------------|---------------------|----------------------|

Essential spare parts

Refrigeration system/cabinet

RR 425 – 50/60Hz:

| | | | |
|---|-------------------|-----------|------|
| 1 | Compressor FR 6 G | 500550060 | 1207 |
| 2 | Start relay | 410589015 | 1207 |
| 3 | Cover | 452440293 | 1207 |
| 4 | Cord relief | 452440295 | 1207 |
| 5 | Start capacitor | 451720018 | 1207 |
| 6 | Condenser | 765080161 | 1207 |

RR 625 – 50/60Hz:

| | | | |
|---|---------------------|-----------|------|
| 1 | Compressor FR 7,5 G | 500550061 | 1207 |
| 2 | Start relay | 410589015 | 1207 |
| 3 | Cover | 452440293 | 1207 |
| 4 | Cord relief | 452440295 | 1207 |
| 5 | Start capacitor | 451720018 | 1207 |
| 6 | Condenser | 765080161 | 1207 |

RF 425 – 50Hz:

| | | | |
|---|---------------------|-----------|------|
| 1 | Compressor SC 10 CL | 500520101 | 1207 |
| 2 | Start relay | 410589020 | 1207 |
| 3 | Cover | 452440280 | 1207 |
| 4 | Cord relief | 452440292 | 1207 |
| 5 | Start capacitor | 451720019 | 1207 |
| 6 | Condenser | 765080162 | 1207 |

RF 625 – 50Hz:

| | | | |
|---|---------------------|-----------|------|
| 1 | Compressor SC 12 CL | 500520255 | 1207 |
| 2 | Start relay | 410589021 | 1207 |
| 3 | Cover | 452440280 | 1207 |
| 4 | Cord relief | 452440292 | 1207 |
| 5 | Start capacitor | 451720019 | 1207 |
| 6 | Condenser | 765080162 | 1207 |

RF 425/625 – 60Hz:

| | | | |
|---|----------------------|-----------|------|
| 1 | Compressor SC 10 CLX | 500520102 | 1207 |
| 2 | Start relay | 410589021 | 1207 |
| 3 | Cover | 452440291 | 1207 |
| 4 | Cord relief | 452440292 | 1207 |
| 5 | Start capacitor | 451720019 | 1207 |
| 6 | Condenser | 765080162 | 1207 |

Description :

**Spare parts list for BioMidi
RR/RF 425/625 RH/LH/CH**

| Compiled. | | Latest revision. | | | Deleted. | |
|-----------|------|------------------|------|--------|----------|------|
| Date | Name | Date | Name | Rev.no | Date | Name |
| 26.06.07 | JP | 23.10.20 | JP | 031 | | |

| Item No. | Description | Gram part No. | week/year Issued | week/year Deleted |
|----------|-------------|---------------|---------------------|----------------------|
|----------|-------------|---------------|---------------------|----------------------|

RF 425/625:

| | | | | |
|----|-------------------------------|---------------|------|------|
| 8 | Drip water heater 6,5 W | 765071698 | 1207 | |
| 9 | Defrost heating element 250 W | 425 765072055 | 1207 | |
| 9 | Defrost heating element 350 W | 625 765071819 | 1207 | |
| 10 | Overheat safety thermostat | 425 765070828 | 1207 | 0112 |
| 10 | Overheat safety thermostat | 625 765070828 | 1207 | 2811 |

Common parts:

| | | | | |
|----|-------------------------|---------------|------|------|
| 11 | Rubber foot | 760080519 | 1207 | |
| 12 | Clip f. fastening | 760082367 | 1207 | |
| 13 | Filter drier | 762900157 | 1207 | |
| 14 | Condenser fan guard | RR 765080188 | 1207 | |
| 14 | Condenser fan guard | RF 765080189 | 1207 | |
| 15 | Wire for fan motor | 612900400 | 1207 | 3620 |
| 16 | Condenser sensor | 453531500 | 1207 | |
| 17 | Evaporator | 425 762900113 | 1207 | |
| 17 | Evaporator | 625 765080185 | 1207 | |
| 18 | Heat exchanger | 762900062 | 1207 | |
| 19 | Evaporator fan complete | 612900002 | 1207 | |
| 20 | Fan blade, ø200 34° | 612900201 | 1207 | 3620 |
| 21 | Cabinet sensor | 453531500 | 1207 | |
| 22 | Defrost sensor | 453531501 | 1207 | |
| 23 | E-sensor | 453531504 | 1207 | |

Description :

**Spare parts list for BioMidi
RR/RF 425/625 RH/LH/CH**

| Compiled. | | Latest revision. | | | Deleted. | |
|-----------|------|------------------|------|--------|----------|------|
| Date | Name | Date | Name | Rev.no | Date | Name |
| 26.06.07 | JP | 23.10.20 | JP | 031 | | |

| Item No. | Description | Gram part No. | week/year Issued | week/year Deleted |
|----------|-------------|---------------|---------------------|----------------------|
|----------|-------------|---------------|---------------------|----------------------|

Control panel/electrical parts:

| | | | | |
|----|--|--------------------------|------|------|
| 25 | Electronic control, display part | 612900056 | 1207 | |
| 25 | Electronic control, display part for LTP | 612900057 | 3919 | |
| 26 | Band cable L=700 | 453582047 | 1207 | |
| 26 | Band cable for LTP | 425 765072967 | 3919 | |
| 26 | Band cable for LTP | 625 Door right 765072971 | 3919 | |
| 26 | Band cable for LTP | 625 Door left 765072970 | 3919 | |
| 27 | Electr. contr., power part – K2+ | 761256120 | 1207 | |
| 27 | Electr. contr., power part – F5+ | 761256134 | 1207 | 4414 |
| 27 | Electr. contr., power part – F51 | 761256162 | 4414 | |
| 29 | Label with keys | 761230076 | 1207 | 1010 |
| 29 | Label with keys | 765041752 | 1010 | |

Door:

| | | | | |
|----|---------------|---------------|------|--|
| 40 | Door gasket | 425 760248045 | 1207 | |
| 40 | Door gasket | 625 760248046 | 1207 | |
| 41 | Hinge, top | 761258923 | 1207 | |
| 42 | Hinge, bottom | 761258998 | 1207 | |

Gram Commercial
Technical information

765041230

Description :

**Spare parts list for BioMidi
RR/RF 425/625 RH/LH/CH**

| Compiled. | | Latest revision. | | | Deleted. | |
|-----------|------|------------------|------|--------|----------|------|
| Date | Name | Date | Name | Rev.no | Date | Name |
| 26.06.07 | JP | 23.10.20 | JP | 031 | | |

| Item No. | Description | Gram part No. | week/year Issued | week/year Deleted |
|----------|-------------|---------------|---------------------|----------------------|
|----------|-------------|---------------|---------------------|----------------------|

Other spare parts

Cabinet

| | | | | | |
|----|-----------------------------------|-------|-----------|------|------|
| 50 | Air relief valve | | 765081206 | 1207 | |
| 51 | Front panel, stainless | 425 | 760245960 | 1207 | |
| 51 | Front panel, stainless/glass door | 425 | 760246001 | 1909 | |
| 51 | Front panel, stainless | 625 | 760245962 | 1207 | |
| 51 | Front panel, stainless/glass door | 625 | 760246006 | 1909 | |
| 51 | Front panel, white | 425 | 760245956 | 1207 | |
| 51 | Front panel, white/glass door | 425 | 760246012 | 1909 | |
| 51 | Front panel, white | 625 | 760245958 | 1207 | |
| 51 | Front panel, white/glass door | 625 | 760246008 | 1909 | |
| 52 | Front panel plug | | 760250272 | 1207 | |
| 53 | Hinge for front panel | | 761258926 | 1207 | |
| 55 | Cover rail for evaporator | 425 | 760243620 | 1207 | 1009 |
| 55 | Cover for evaporator | 425 | 760246054 | 1009 | |
| 55 | Cover rail for evaporator | 625 | 761254449 | 1207 | 1009 |
| 55 | Cover for evaporator | 625 | 761254470 | 1009 | |
| 56 | Cover plate, left | | 760245226 | 1207 | 1009 |
| 57 | Cover plate, right | | 760245227 | 1207 | 1009 |
| 58 | Suspension plate for evaporator | 425 | 760245213 | 1207 | |
| 58 | Suspension plate for evaporator | 625 | 760245209 | 1207 | |
| 59 | Heating element bracket | RF | 761254427 | 1207 | |
| 60 | Fan holder | | 761258499 | 1207 | 3620 |
| 61 | Cable clip | | 452470001 | 1207 | |
| 62 | Drip water tray | 425 | 760246030 | 1207 | 0409 |
| 62 | Drip water tray | 425 | 760246050 | 0409 | |
| 62 | Drip water tray, insulated | RF425 | 761236000 | 0710 | |
| 62 | Drip water tray | 625 | 761256013 | 1207 | 5108 |
| 62 | Drip water tray | 625 | 761256032 | 5108 | |
| 62 | Drip water tray, insulated | RF625 | 761256048 | 0710 | |
| 63 | Holder for drip water tray | | 761253441 | 1207 | |
| 63 | Holder for drip water tray | RF | 761253442 | 0710 | |
| 64 | Air distribution plate | 425 | 760243559 | 1207 | |
| 64 | Air distribution plate | 625 | 760243561 | 1207 | |
| 65 | Rail for air distribution plate | | 760243634 | 1207 | |
| 66 | Re-evaporation tray | | 765081149 | 1207 | 4308 |
| 66 | Re-evaporation tray | | 760245531 | 4308 | |
| 67 | Cord relief | | 761271351 | 1207 | |
| 68 | Cover for terminal board | | 761230077 | 1207 | |
| 69 | Terminal board 12-pole | | 451580018 | 1207 | |
| 70 | Lead and plug, DK 3-pin | | 765072558 | 1207 | |
| 70 | Lead and plug, Schuko | | 765072557 | 1207 | |
| 70 | Lead and plug, GB | | 765072556 | 1207 | |

Gram Commercial
Technical information

765041230

Description :

Spare parts list for BioMidi
RR/RF 425/625 RH/LH/CH

| Compiled. | | Latest revision. | | | Deleted. | |
|-----------|------|------------------|------|--------|----------|------|
| Date | Name | Date | Name | Rev.no | Date | Name |
| 26.06.07 | JP | 23.10.20 | JP | 031 | | |

| Item No. | Description | Gram part No. | week/year Issued | week/year Deleted |
|----------|------------------------------|---------------------|---------------------|----------------------|
| 71 | Bracket for lock | 760249008 | 1207 | |
| 72 | Screw for fan blade | 612900100 | 1207 | 3620 |
| 73 | Water trap | 760082891 | 1207 | |
| 74 | Hose for re-evap. tray | RR 580020018 | 1207 | 4308 |
| 75 | Compressor baseplate | 425 760243981 | 1207 | |
| 75 | Compressor baseplate | 625 760243982 | 1207 | |
| 76 | Condenser filter | 761114416 | 1207 | |
| 77 | Attachment spring | 761114417 | 1207 | 2809 |
| 77 | Attachment plug | 765081233 | 2809 | |
| 78 | Nylon wheel ø70 | 480100027 | 1207 | |
| 79 | Wheel bush | 760242404 | 1207 | |
| 80 | Hex. screw M8 x 50 | 420042286 | 1207 | |
| 81 | Hex. nut M8 | 421092007 | 1207 | |
| 82 | Wing screw, brass M6 x 30 | 420730060 | 1207 | |
| 83 | Supplement re-evap. tray | RR 425 760245524 | 1207 | 4308 |
| 83 | Supplement re-evap. tray | RR 625 760245525 | 1207 | 4308 |
| 84 | Front panel filter | 761258491 | 1207 | |
| 86 | Front panel close keeper | 761253307 | 1207 | |
| 87 | Front panel close catch | 761253301 | 1207 | |
| 88 | Door lock | 765080092 | 1207 | |
| 89 | Key no. 1 (25010) | 765080340 | 1207 | |
| 89 | Key no. 2 (25020) | 765080341 | 1207 | |
| 89 | Key no. 3 (25030) | 765080342 | 1207 | |
| 89 | Key no. 4 (25040) | 765080343 | 1207 | |
| 89 | Key no. 5 (25050) | 765080344 | 1207 | |
| 89 | Master key | 765080385 | 1207 | |
| 90 | Bracket for lock | 760248748 | 1207 | |
| 91 | Bush ø12 | 761254345 | 1207 | |
| 92 | Re-evaporation pipe | 760000307 | 4308 | |
| 93 | Drip water pipe | 760245276 | 4308 | |
| 94 | Insulation plug | 765080563 | 2309 | |
| 95 | Plastic cap | 501020023 | 2309 | |
| 96 | Cap for M5 hole | grey 765080501 | 1207 | |
| 96 | Cap for M5 hole | white 765080504 | 1207 | |
| 97 | Liquid container | 765080384 | 1207 | |
| 98 | Holder for liquid container | 761256497 | 1207 | |
| 100 | Condenser air guide, right | RF 425 760246047 | 1710 | |
| 100 | Condenser air guide, right | RF 625 760246044 | 1710 | |
| 101 | Condenser air guide, left | RF 425 760246060 | 1710 | |
| 101 | Condenser air guide, left | RF 625 760246064 | 1710 | |
| 102 | Fan guard | 765081239 | 0509 | |
| 103 | Hinge for front panel, right | glassdoor 760248992 | 1909 | |
| 104 | Hinge for front panel, left | glassdoor 760248993 | 1909 | |

Gram Commercial
Technical information

765041230

Description :

**Spare parts list for BioMidi
RR/RF 425/625 RH/LH/CH**

| Compiled. | | Latest revision. | | | Deleted. | |
|-----------|------|------------------|------|--------|----------|------|
| Date | Name | Date | Name | Rev.no | Date | Name |
| 26.06.07 | JP | 23.10.20 | JP | 031 | | |

| Item No. | Description | Gram part No. | week/year Issued | week/year Deleted |
|----------------------------|--|---------------|---------------------|----------------------|
| <u>Interior equipment:</u> | | | | |
| 150 | Wall rail | 760248853 | 1207 | |
| 150 | Wall rail, front - for draught shields | 761230294 | 2210 | |
| 151 | Shelf support rail | 760248857 | 1207 | |
| 152 | Wire shelf, grey | 425 818779962 | 1207 | |
| 152 | Wire shelf, stainless | 425 818779961 | 1207 | |
| 152 | Wire shelf, stainless/int. doors | 425 765080408 | 3210 | |
| 152 | Wire shelf, grey | 625 818799968 | 1207 | |
| 152 | Wire shelf, stainless | 625 818799967 | 1207 | |
| 152 | Wire shelf, stainless/int. doors | 625 765080403 | 3210 | |
| 153 | Perforated shelf | 425 761230103 | 1207 | |
| 153 | Perforated shelf | 625 761230058 | 1207 | |
| 160 | Alu drawer, complete | 425 761230360 | 1207 | |
| 160 | Alu drawer, complete | 625 761250358 | 1207 | |
| 161 | Set of sliding rails | 761234056 | 1207 | |
| 162 | Divider rail | 425 761230020 | 1207 | |
| 162 | Divider rail | 625 761230053 | 1207 | |
| 163 | Holder for divider rail | 425 761230368 | 1207 | |
| 163 | Holder for divider rail | 625 761230366 | 1207 | |
| 165 | Plastic divider 1 | 761230021 | 1207 | |
| 166 | Plastic divider 2 | 761230022 | 1207 | |
| 170 | Stainless drawer, complete 30 kg | 425 761231230 | 1008 | |
| 170 | Stainless drawer, complete 30 kg | 625 761231233 | 1008 | |
| 171 | Set of sliding rails | 761234007 | 1008 | |
| 180 | Stainless drawer, complete 40 kg | 425 761231203 | 1008 | |
| 180 | Stainless drawer, complete 40 kg | 625 761231200 | 1008 | |
| 181 | Set of sliding rails | 761234057 | 1008 | 1819 |
| 182 | Divider, stainless | 425 761230320 | 2409 | |
| 182 | Divider, stainless | 625 761230312 | 2409 | |
| 183 | Holder for divider, stainless | 425 761230318 | 2409 | |
| 183 | Holder for divider, stainless | 625 761230311 | 2409 | |
| 184 | Divider set complete | 425 761231453 | 2409 | |
| 184 | Divider set complete | 625 761231449 | 2409 | |
| 185 | Support for sliding rail | 761230218 | 1008 | |

Description :

Spare parts list for BioMidi
RR/RF 425/625 RH/LH/CH

| Compiled. | | Latest revision. | | | Deleted. | |
|-----------|------|------------------|------|--------|----------|------|
| Date | Name | Date | Name | Rev.no | Date | Name |
| 26.06.07 | JP | 23.10.20 | JP | 031 | | |

| Item No. | Description | Gram part No. | week/year Issued | week/year Deleted |
|----------|-------------|---------------|---------------------|----------------------|
|----------|-------------|---------------|---------------------|----------------------|

Control panel/electrical parts:

| | | | | |
|-----|-----------------------------------|----------------------|------|--|
| 200 | Door switch | 450400113 | 1207 | |
| 201 | Distance tube L=8.3 mm | 765080021 | 1207 | |
| 202 | Trafo for lights | 760073650 | 1207 | |
| 203 | Halogen light 10 W | 450742002 | 1207 | |
| 204 | Bracket for door switch | 760249007 | 1207 | |
| 205 | Distance bush L=16 | 451119513 | 1207 | |
| 206 | Control panel, stainless | 425 761231103 | 1207 | |
| 206 | Control panel, stainless | 625 761231109 | 1207 | |
| 206 | Control panel, white | 425 761231110 | 1207 | |
| 206 | Control panel, white | 625 761231111 | 1207 | |
| 207 | Mounting socket for halogen light | 425 761251324 | 1207 | |
| 207 | Mounting socket for halogen light | 625 761251323 | 1207 | |
| 208 | Wiring for halogen light | 765071603 | 1207 | |
| 209 | Spacer for PCB | 451119515 | 1207 | |
| 210 | Sensor plug holder | 452260601 | 1207 | |
| 211 | Sensor plug | 452260600 | 1207 | |
| 212 | Cable clip | 424350001 | 1207 | |
| 213 | Wire for defrost heater | RF 425/625 765072664 | 2811 | |
| 214 | Solid State relay | 450200300 | 5015 | |
| | | | | |
| 220 | LTP controller | 453580515 | 1218 | |
| 221 | LTP sensor | 453531530 | 1218 | |
| 222 | PCB protection sheet | 765072698 | 1218 | |
| 223 | Screening plate | 765073271 | 1218 | |
| 224 | Dual locking spacer H=7.9 mm | 451119525 | 1218 | |
| 225 | Dual locking spacer H=15.9 mm | 451119526 | 1218 | |
| 226 | Push spacer H=7.9 mm | 451119527 | 1218 | |

*Gram Commercial
Technical information*

765041230

Description :

**Spare parts list for BioMidi
RR/RF 425/625 RH/LH/CH**

| Compiled. | | Latest revision. | | | Deleted. | |
|-----------|------|------------------|------|--------|----------|------|
| Date | Name | Date | Name | Rev.no | Date | Name |
| 26.06.07 | JP | 23.10.20 | JP | 031 | | |

| Item No. | Description | Gram part No. | week/year Issued | week/year Deleted |
|----------|-------------|---------------|---------------------|----------------------|
|----------|-------------|---------------|---------------------|----------------------|

Door:

| | | | | |
|-----|------------------------|-----|-----------|------|
| 300 | Door, stainless | 425 | 760245802 | 1207 |
| 300 | Door, stainless | 625 | 760245808 | 1207 |
| 300 | Door, white | 425 | 760245805 | 1207 |
| 300 | Door, white | 625 | 760245811 | 1207 |
| 300 | Glass door | 425 | 760245356 | 1207 |
| 300 | Glass door | 625 | 760245352 | 1207 |
| 301 | Self-close device | | 761259909 | 1207 |
| 302 | Washer | | 421708020 | 1207 |
| 303 | Hinge bush | | 760242041 | 1207 |
| 304 | Magnet for door switch | | 450401002 | 1207 |

Draught shields:

| | | | | |
|-----|------------------------------|-----|-----------|------|
| 350 | Upper door, complete | 425 | 761231895 | 2010 |
| 350 | Upper door, complete | 625 | 761231897 | 2010 |
| 351 | Lower door, complete (2 off) | 425 | 761231896 | 2010 |
| 351 | Lower door, complete (2 off) | 625 | 761231898 | 2010 |
| 352 | Magnet | | 450401003 | 2010 |
| 353 | Hinge | | 761230343 | 2010 |
| 354 | Screw for hinge | | 420168174 | 2010 |
| 355 | Screw for magnet | | 420168175 | 2010 |