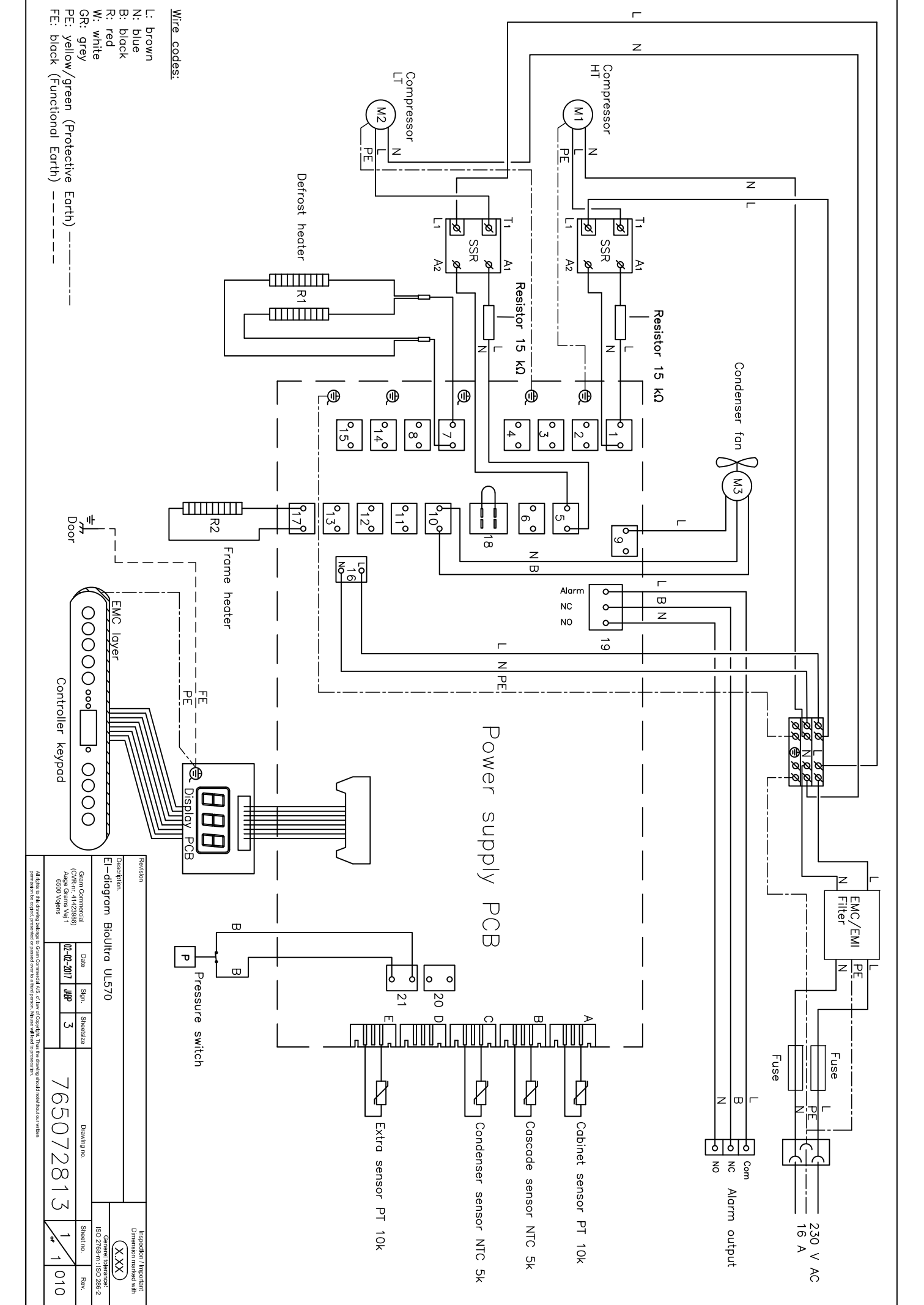


- Wire codes:
- L: brown
 - N: blue
 - B: black
 - R: red
 - W: white
 - GR: grey
 - PE: yellow/green (Protective Earth)
 - FE: black (Functional Earth) -----



Power supply PCB

Revision		Inspector / Inspector Dimension marked with (XXX)	
Description: E1-diagram BioUltra UL570			
General Commercial (Age Gains Vn 1 6500 Volts)	Date 02-02-2017	Sign. JWP	Sheetize 3
Drawing no.		Sheet no.	
765072813		1 of 1	
Rev.		Rev.	
		010	

All rights in this drawing belong to Gram Commercial A/S. All use of Copyright. Thus the drawing should read through our written permission be copied, printed or passed over to a 3rd person. All used will lead to prosecution.