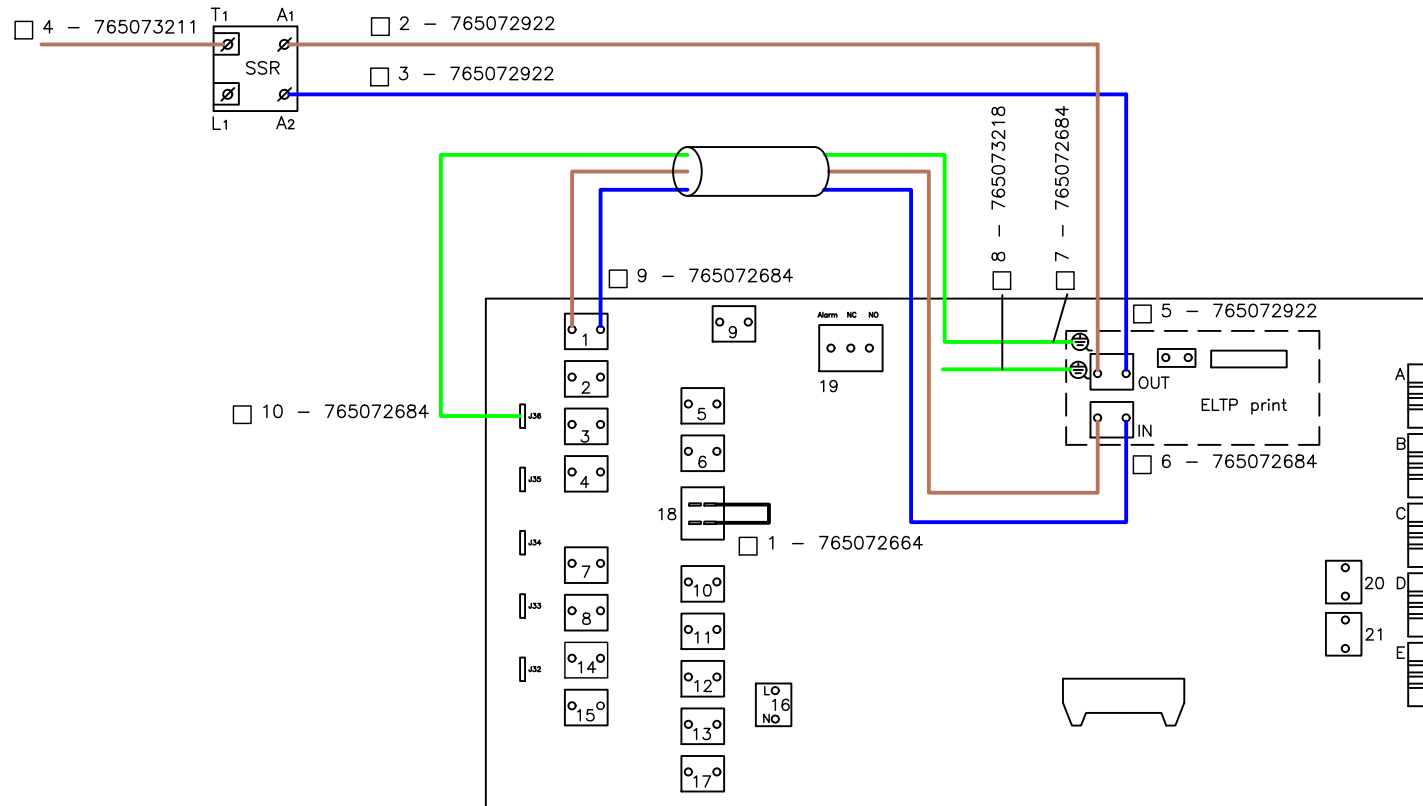


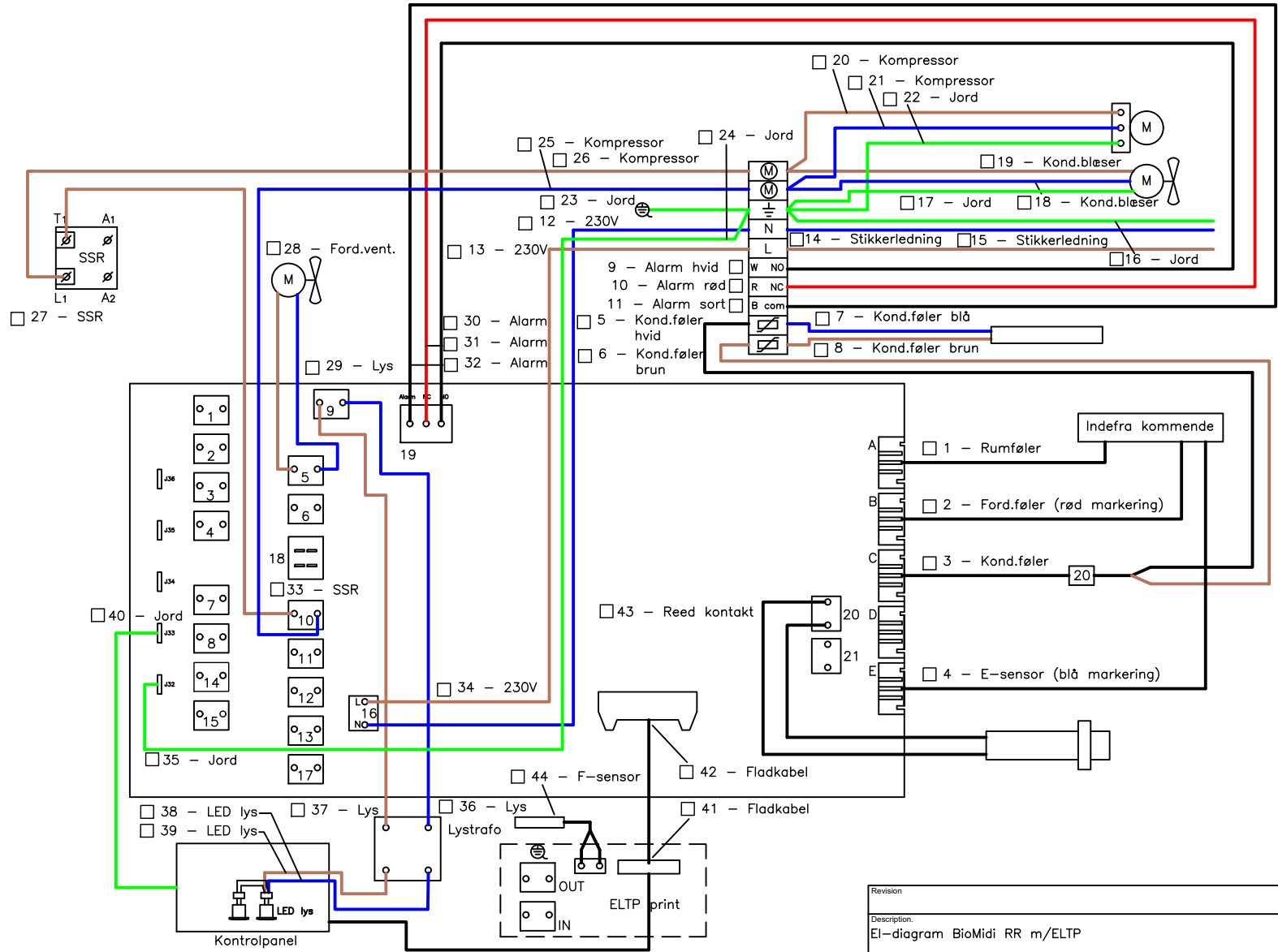
Revision		Inspection / important Dimension marked with (X.XX)	
Description: E1-diagram BioMidi RR m/ELTP			
General tolerance: ISO 2768-m : ISO 286-2			
Gram Commercial A/S VOJENS DENMARK	Date 01-02-2018	Sign. JAP	Sheetsize 3
Drawing no. 765072919		Sheet no. 1 of 3	Rev. 002
All rights to this drawing belongs to Gram Commercial A/S, of law of Copyright. Thus the drawing should not without our written permission be copied, presented or passed over to a third person. Misuse will lead to prosecution.			



El-montage RR 425/625

S/N _____

Revision				Inspection / important Dimension marked with (X,XX)	
Description: El-diagram BioMidi RR m/ELTP				General tolerance: ISO 2768-m : ISO 286-2	
Gram Commercial A/S VOJENS DENMARK	Date 01-02-2018	Sign. JBP	Sheet size 3	Drawing no. 765072919	Sheet no. 2 of 3
All rights to this drawing belongs to Gram Commercial A/S, cf. law of Copyright. Thus the drawing should not without our written permission be copied, presented or passed over to a third person. Misuse will lead to prosecution.				Rev. 002	



Eftermontage RR 425/625
 S/N _____

Revision		Inspection / Important Dimension marked with	
Description		(X.XX)	
EL-diagram BioMidi RR m/ELTP		General tolerance: ISO 2768-m : ISO 286-2	
Gram Commercial A/S VOJENS DENMARK	Date 01-02-2018	Sign. JBP	Sheet size 3
Drawing no. 765072919		Sheet no. 3	Rev. 002
<small>All rights to this drawing belongs to Gram Commercial A/S, of law of Copyright. Thus the drawing should not without our written permission be copied, presented or passed over to a third person. Misuse will lead to prosecution.</small>			