

*Spare parts - BioCompact*  
*RF 610 H*

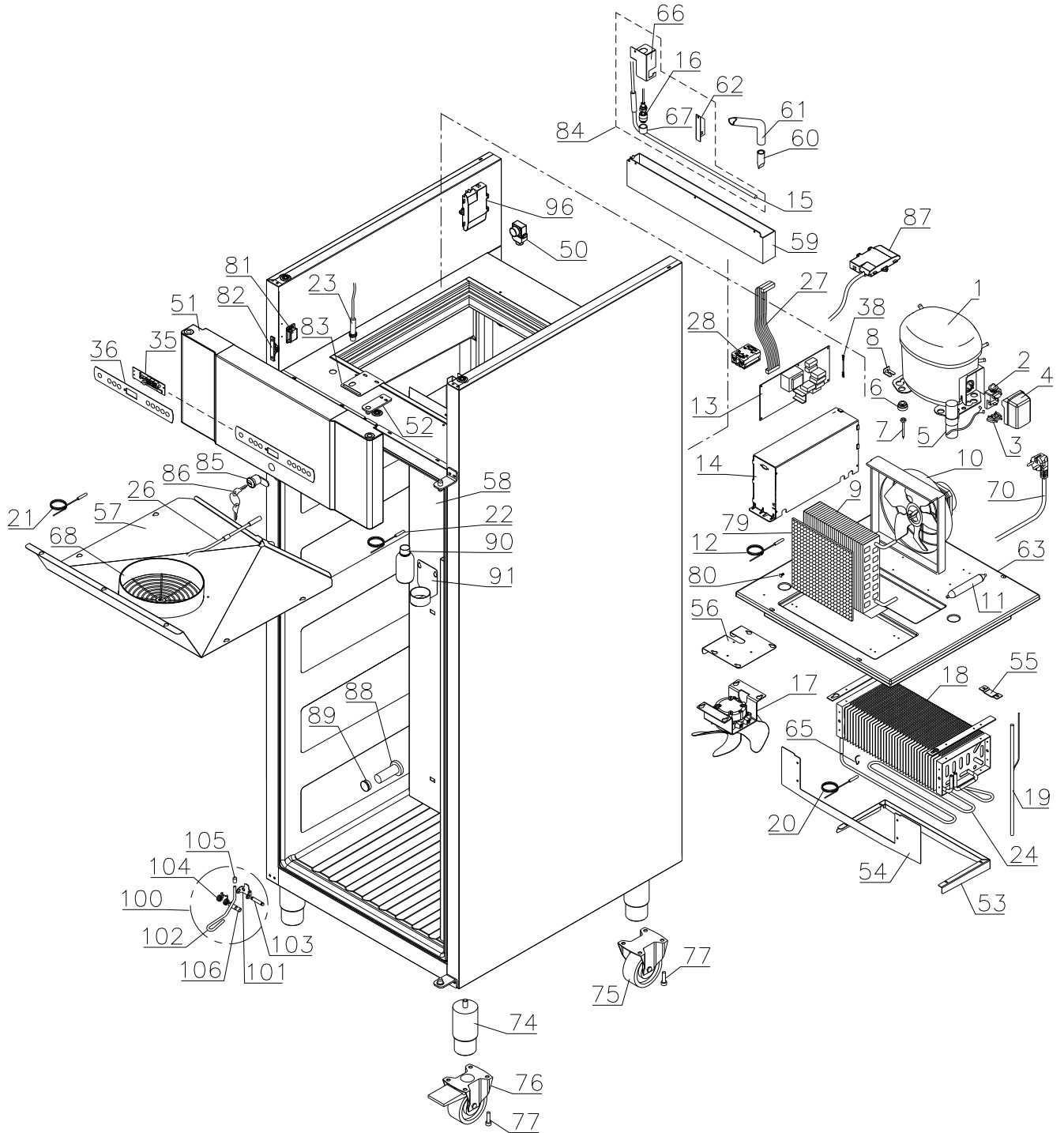


Description :

**Spare parts list for BioCompact  
 RF 610 H**

Compiled.		Latest revision.			Deleted.	
Date	Name	Date	Name	Rev.no	Date	Name
12.01.09	JP	25.11.20	JP	025		

**Exploded view**



Description :

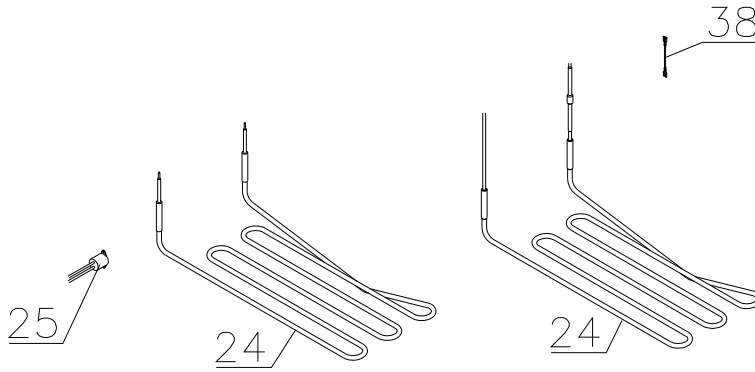
**Spare parts list for BioCompact  
 RF 610 H**

Compiled.		Latest revision.			Deleted.	
Date	Name	Date	Name	Rev.no	Date	Name
12.01.09	JP	25.11.20	JP	025		

**Defrost heater**

1508 – 0412

0412 -



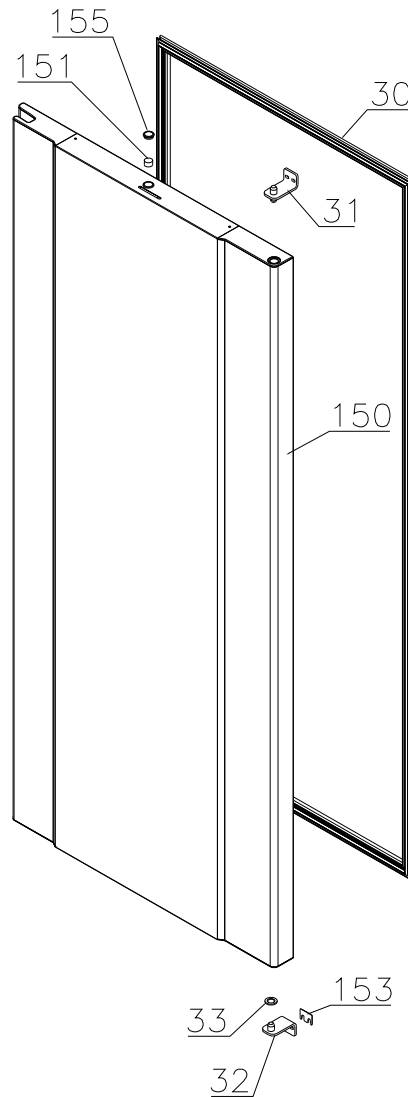
Description :

**Spare parts list for BioCompact  
 RF 610 H**

Compiled.		Latest revision.			Deleted.	
Date	Name	Date	Name	Rev.no	Date	Name
12.01.09	JP	25.11.20	JP	025		

**Door**

0508-4314

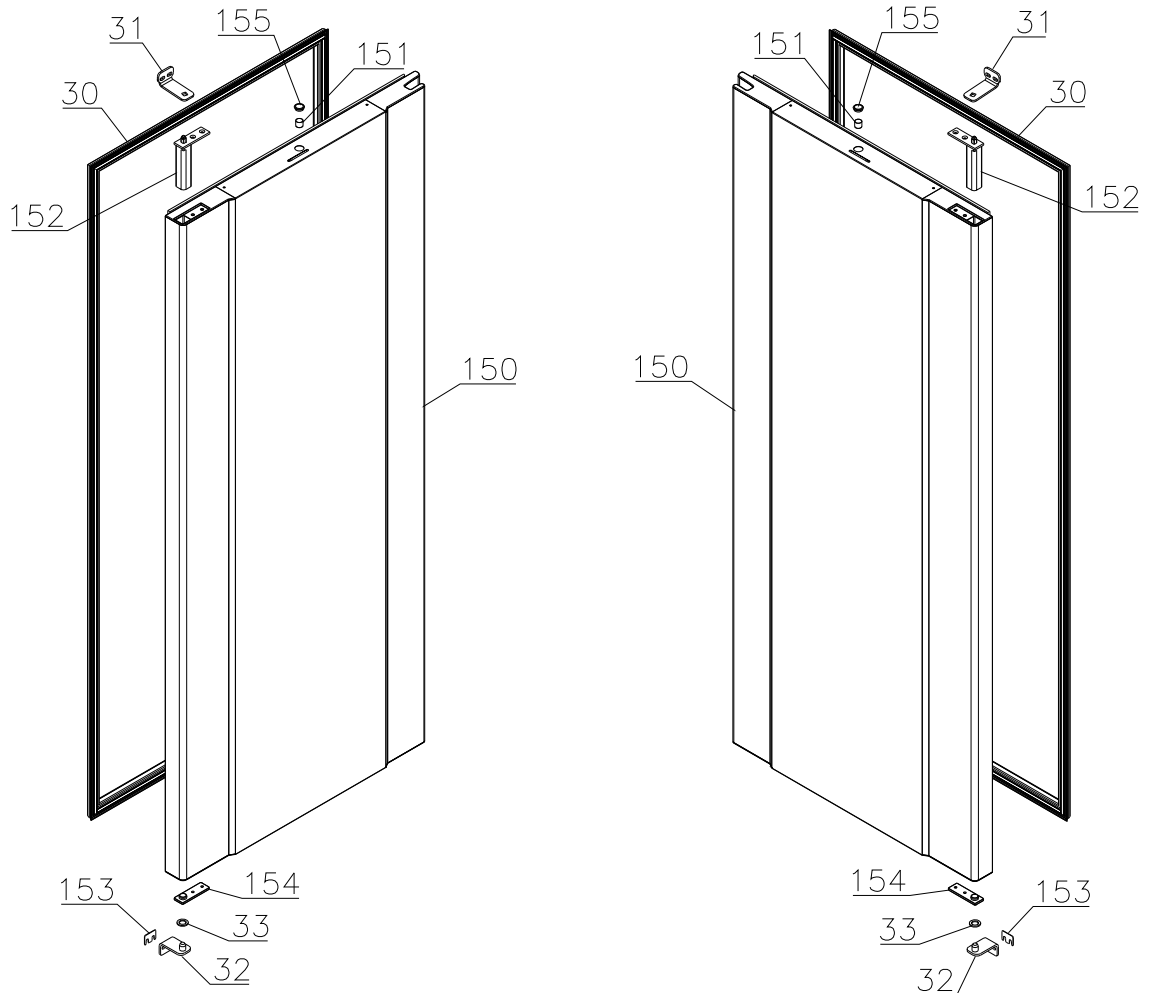


Description :

**Spare parts list for BioCompact  
 RF 610 H**

Compiled.		Latest revision.			Deleted.	
Date	Name	Date	Name	Rev.no	Date	Name
12.01.09	JP	25.11.20	JP	025		

4314-

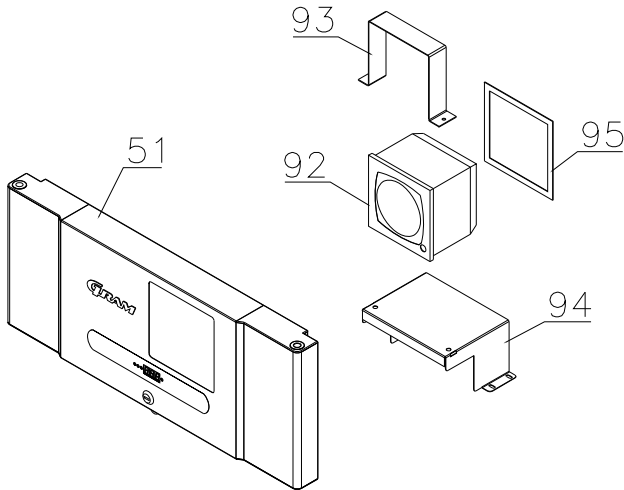


Description :

**Spare parts list for BioCompact  
 RF 610 H**

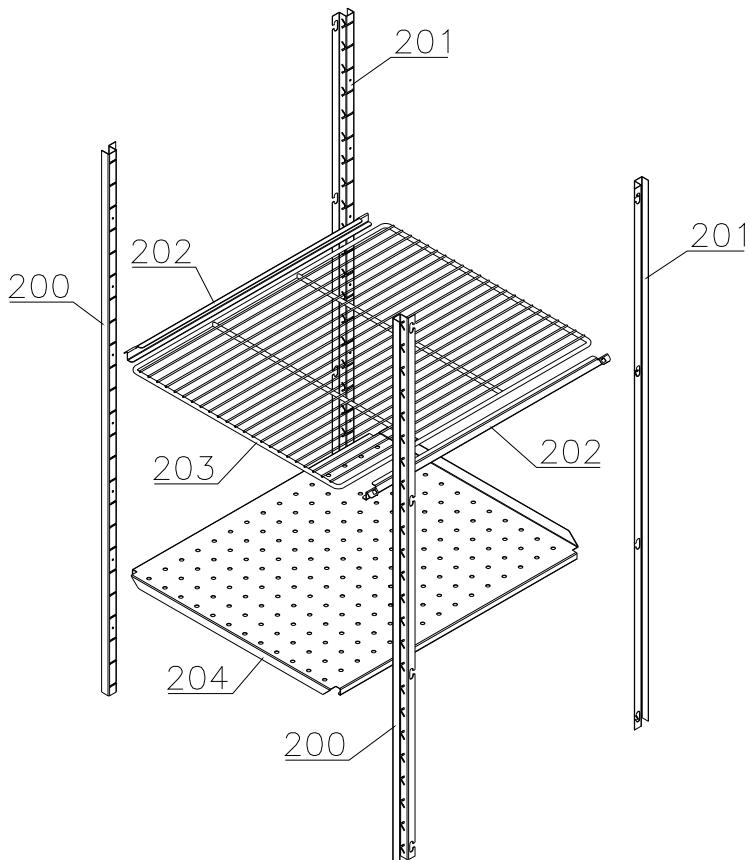
Compiled.		Latest revision.			Deleted.	
Date	Name	Date	Name	Rev.no	Date	Name
12.01.09	JP	25.11.20	JP	025		

**Chart recorder parts**



**Interior equipment**

Shelves:



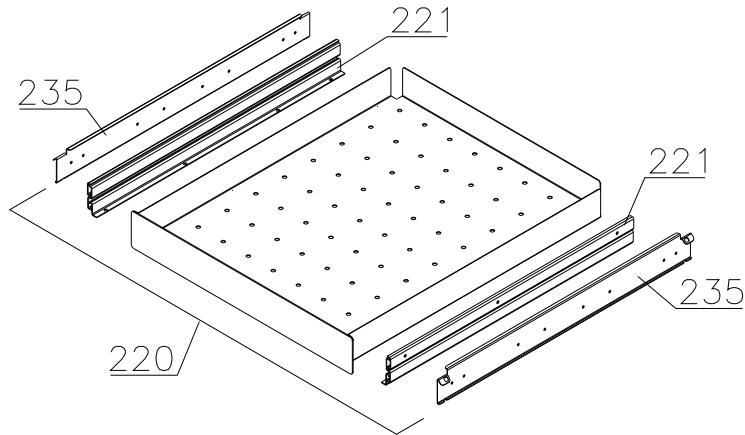
Description :

**Spare parts list for BioCompact  
 RF 610 H**

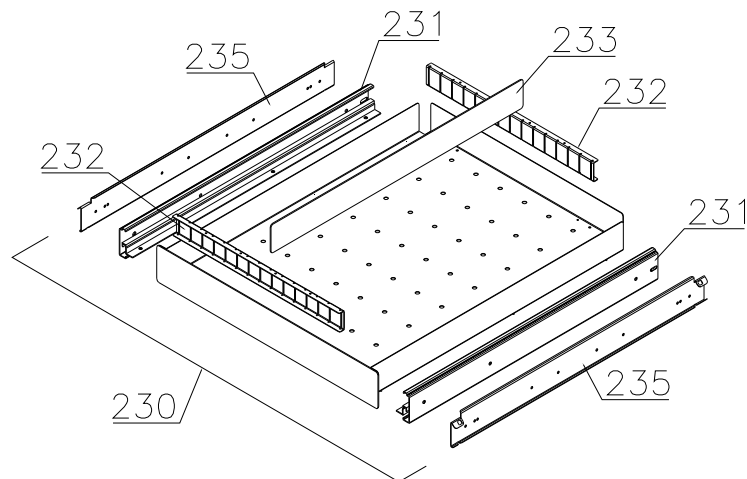
Compiled.		Latest revision.			Deleted.	
Date	Name	Date	Name	Rev.no	Date	Name
12.01.09	JP	25.11.20	JP	025		

Drawers:

Stainless – 30 kg



Stainless – 40 kg



Description :

**Spare parts list for BioCompact  
RF 610 H**

Compiled.		Latest revision.			Deleted.	
Date	Name	Date	Name	Rev.no	Date	Name
12.01.09	JP	25.11.20	JP	025		

Item no.	Description	Gram part no.	week/year introduced	week/year deleted
----------	-------------	---------------	----------------------	-------------------

**Essential spare parts**

RF 610 – 50Hz:

1	Compressor SC12CLX.2	500520257	1508	
2	Starting relay	410589021	1508	
3	Cord relief	452440292	1508	
4	Cover	452440280	1508	
5	Start capacitor 80µF	451720019	1508	

RF 610 – 60Hz:

1	Compressor SC 10 CLX	500520102	1508	
2	Starting relay	410589021	1508	
3	Cord relief	452440292	1508	
4	Cover	452440291	1508	
5	Start capacitor 80µF	451720019	1508	

Common parts:

6	Rubber foot	760080519	1508	
7	Screw for compressor	423200210	1508	
8	Fastening clip	760082367	1508	
9	Condenser	612900501	1508	
10	Condenser fan guard compl.	765080190	1508	
11	Filter drier	762900157	1508	
12	Condenser sensor	453531500	1508	
13	Electronic controller F5+	761256134	1508	4214
13	Electronic controller F51	761256162	4214	
14	Electrical box complete	761232112	1508	
15	Re-evaporation heater	761250778	1508	
16	Float switch	765072049	1508	
17	Evaporator fan complete	761221902	1508	
18	Evaporator	761220332	1508	
19	Heat exchanger	761221403	1508	
20	Defrost sensor	453531501	1508	
21	Cabinet sensor	453531501	1508	
22	E-sensor	453531504	1508	
23	Door switch	450400113	1508	



*Gram Commercial*  
*Technical information*

765041297

Description :

**Spare parts list for BioCompact  
RF 610 H**

Compiled.		Latest revision.			Deleted.	
Date	Name	Date	Name	Rev.no	Date	Name
12.01.09	JP	25.11.20	JP	025		

Item no.	Description	Gram part no.	week/year introduced	week/year deleted
24	Defrost heater	765072060	1508	
25	Safety switch	765071966	1508	0412
26	Drip water heater	765071967	1508	
27	Band cable	453582046	0508	
28	Solid state relay	450200300	4717	
30	Door gasket	761222863	1508	
31	Hinge, top	761220385	1508	4314
31	Hinge, top, self-close	right	761222802	4314
31	Hinge, top, self-close	left	761222803	4314
32	Hinge, bottom	761220387	1508	4314
32	Hinge, bottom, self-close	761222819	4314	
33	Washer	760250524	0508	4314
33	Washer	421708003	4314	
35	Controller display part	612900056	1508	
37	Label with keys	765041752	1508	
38	Wire for defrost heater	765072664	0412	

Description :

**Spare parts list for BioCompact  
RF 610 H**

Compiled.		Latest revision.			Deleted.	
Date	Name	Date	Name	Rev.no	Date	Name
12.01.09	JP	25.11.20	JP	025		

Item no.	Description	Gram part no.	week/year introduced	week/year deleted
----------	-------------	---------------	----------------------	-------------------

**Other spare parts**

50	Air relief valve	765081206	1508	
51	Front panel	stainless 761231403	0508	
51	Front panel	white 761231404	0508	
51	Front panel f. chart recorder	stainless 761231451	4410	
51	Front panel f. chart recorder	white 761231452	4410	
52	Hinge for front panel	761220388	1508	
53	Evaporator cover, side/back	761220326	1508	
54	Evaporator cover, front	761220325	1508	
55	Suspension bracket	760250295	1508	
56	Fan holder	761220369	1508	
57	Drip water tray	761221430	1508	
58	Air distribution plate	761220331	1508	
59	Re-evaporation tray	765081149	1508	
60	Water trap	760082891	1508	
61	Drain pipe	765081153	1508	5017
61	Drain pipe	765081253	5017	
62	Heater bracket	761255445	1508	2714
62	Heater bracket	763250002	2714	
63	Insulation slab	761221734	1508	
64	Screw for fan blade	612900100	1508	
65	Bracket for heater	761254427	1508	
66	Float switch bracket	761255446	1508	2714
66	Float switch bracket	763250002	2714	
67	Plastic cap	450450080	1508	
68	Fan guard	765081239	1508	
70	Lead and plug, DK 3-pin	765072568	1508	
70	Lead and plug, Schuko	765072566	1508	
70	Lead and plug, Switzerland	765070163	1508	
70	Lead and plug, GB	765072567	1508	
74	Leg, stainless H=135-200	765080115	1508	
75	Fixed wheel, H=125	480270520	1508	
76	Castor wheel, with brake	480260050	1508	
77	Screw M8 x 12	420050100	1508	
79	Condenser filter	761114423	1508	
80	Attachment spring	762110375	1508	2809
80	Attachment spring	765081246	2809	
81	Front panel close catch	761220375	1508	
82	Front panel close keeper	761220374	1508	
83	Bracket for lock	761220376	1508	
84	Re-evap. heater kit complete	763254026	1508	

*Gram Commercial  
Technical information*

765041297

Description :

**Spare parts list for BioCompact  
RF 610 H**

Compiled.		Latest revision.			Deleted.	
Date	Name	Date	Name	Rev.no	Date	Name
12.01.09	JP	25.11.20	JP	025		

Item no.	Description	Gram part no.	week/year introduced	week/year deleted
85	Door lock	765080092	1508	
86	Key no. 1 (25010)	765080340	1508	
86	Key no. 2 (25020)	765080341	1508	
86	Key no. 3 (25030)	765080342	1508	
86	Key no. 4 (25040)	765080343	1508	
86	Key no. 5 (25050)	765080344	1508	
86	Master key	765080385	1508	
87	Box for alarm connection	761232402	1508	
88	Insulation plug	765080563	1508	
89	Plastic cap	501020023	1508	
90	Liquid container	765080384	1508	
91	Holder for liquid container	761256497	1508	
92	Chart recorder	761256438	4410	
93	Bracket for chart recorder	761256439	4410	
94	Base for chart recorder	761231447	4410	
95	Cover for chart recorder	761256452	4410	
96	Electrics cover	765070143	1508	
100	Foot pedal complete	819581053	0911	
101	Bracket for pedal	761224010	0911	
102	Pedal arm	761224002	0911	
103	Spindle	761224007	0911	
104	Spring	761224005	0911	
105	Plastic cap	581400021	0911	
106	Bush	761224008	0911	
150	Door complete	stainless 761230922	1508	4314
150	Door complete, self-close, right	stainless 761232924	4314	
150	Door complete, self-close, left	stainless 761232925	4314	
150	Door complete	white 761230921	1508	4314
150	Door complete, self-close, right	white 761232926	4314	
150	Door complete, self-close, left	white 761232927	4314	
151	Magnet for door switch	450401002	1508	
152	Self-close device	763251745	4314	
153	Spacer for hinge	761258621	1508	
154	Hinge bearing complete	763251755	4314	
155	Plastic cap, white	760082756	0508	
155	Plastic cap, grey	765081220	0508	

*Gram Commercial*  
*Technical information*

765041297

Description :

**Spare parts list for BioCompact  
RF 610 H**

Compiled.		Latest revision.			Deleted.	
Date	Name	Date	Name	Rev.no	Date	Name
12.01.09	JP	25.11.20	JP	025		

Item no.	Description	Gram part no.	week/year introduced	week/year deleted
----------	-------------	---------------	----------------------	-------------------

Interior equipment:

200	Wall rail, front	761220335	0508	
201	Wall rail, back	761220336	0508	
202	Shelf support rail	761256455	0508	
203	Grey wire shelf	818880008	0508	
204	Perforated shelf, stainless	761230083	0508	
220	Stainless drawer 30 kg, complete	761231232	0508	
221	Set of sliding rails	761234000	0508	
230	Stainless drawer 40 kg, complete	761231202	0508	
231	Set of sliding rails	761234058	0508	
232	Divider rail	761230305	0508	
233	Divider	761230308	0508	
235	Support for sliding rail	761230201	0508	3310
235	Support for sliding rail, right	761230278	3310	
235	Support for sliding rail, left	761230281	3310	