

*Spare parts - BioCompact*  
*RR 610 H*  
*Glass door*

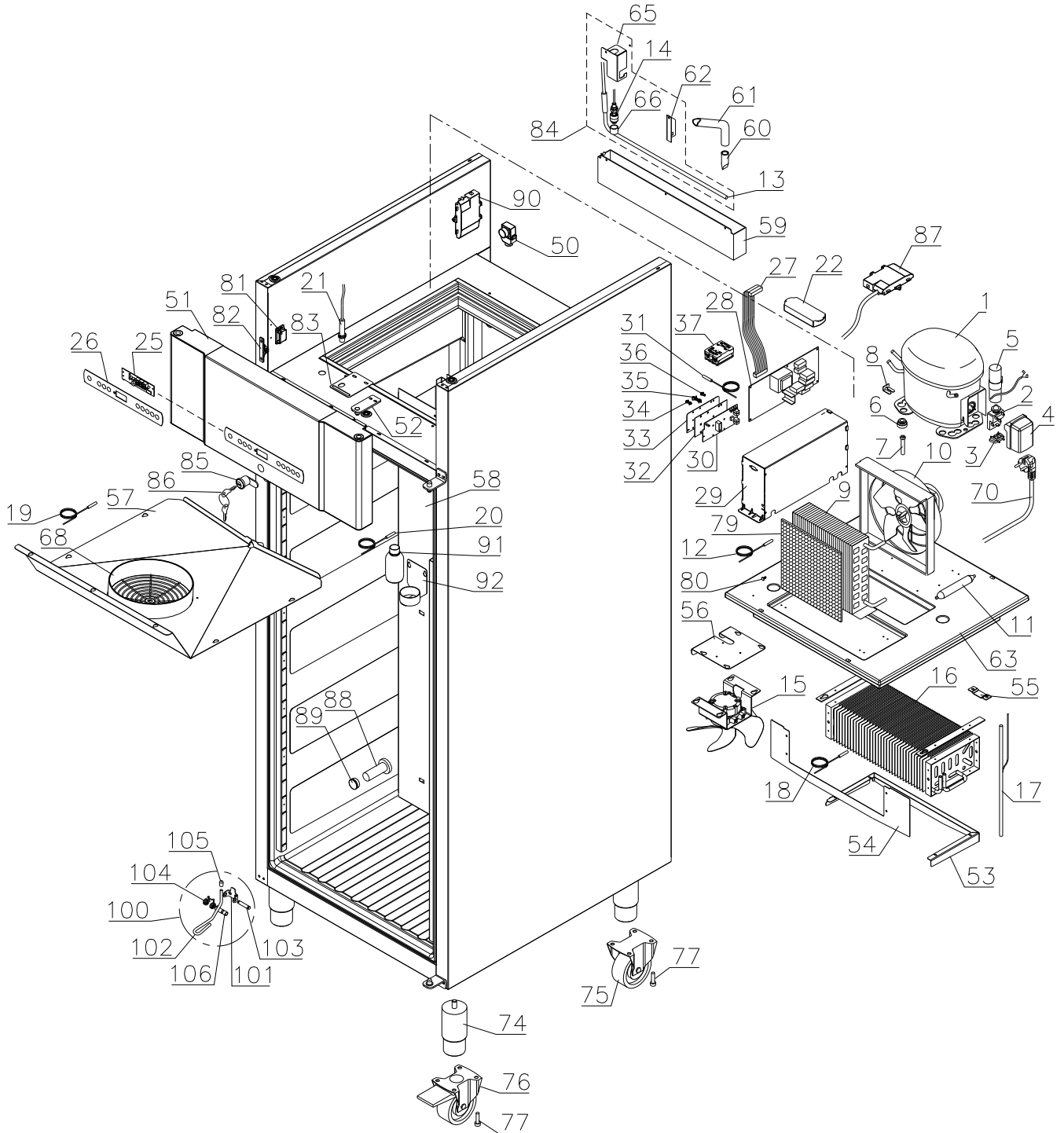


Description :

**Spare parts list for BioCompact II  
 RR 610 H Glass door**

Compiled.		Latest revision.			Deleted.	
Date	Name	Date	Name	Rev.no	Date	Name
25.01.12	JP	30.11.20	JP	012		

**Exploded view**

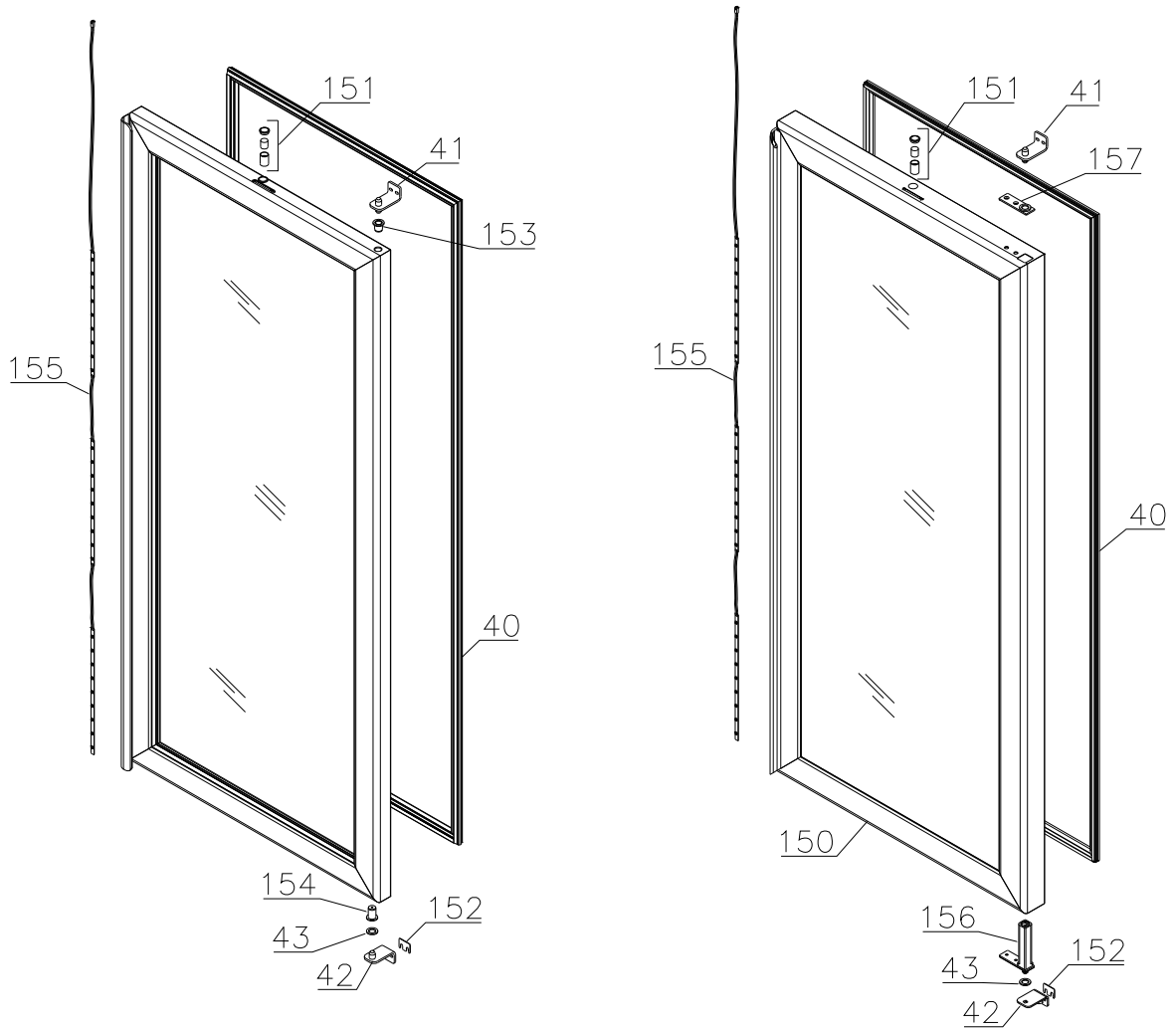


Description :

**Spare parts list for BioCompact II  
 RR 610 H Glass door**

Compiled.		Latest revision.			Deleted.	
Date	Name	Date	Name	Rev.no	Date	Name
25.01.12	JP	30.11.20	JP	012		

**Glass door**



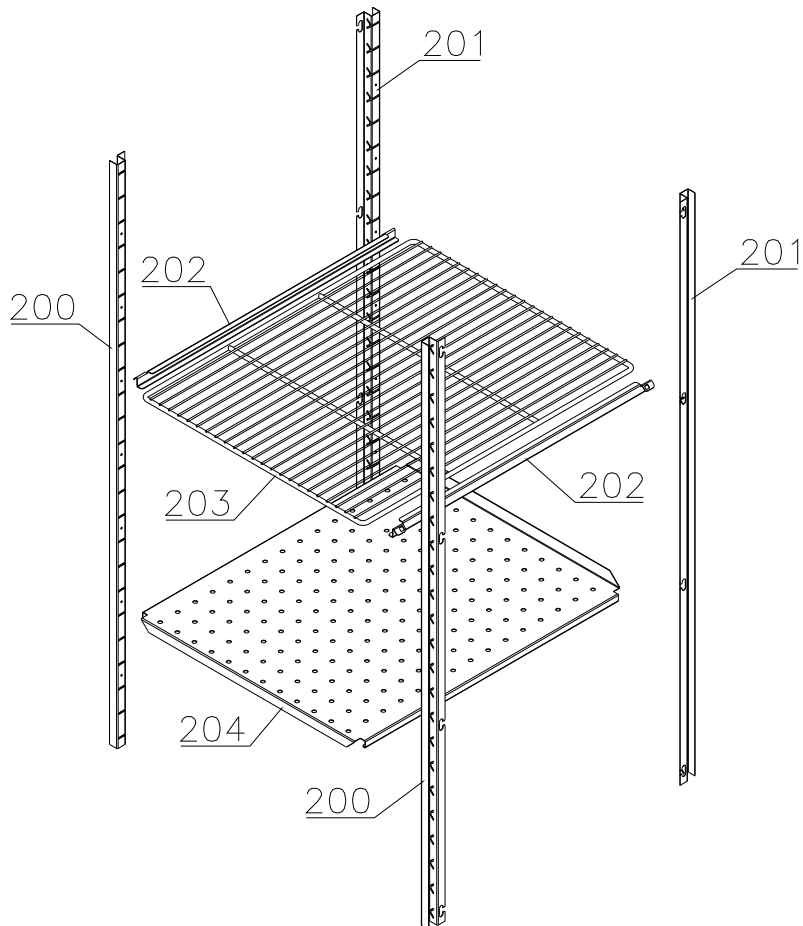
Description :

**Spare parts list for BioCompact II  
 RR 610 H Glass door**

Compiled.		Latest revision.			Deleted.	
Date	Name	Date	Name	Rev.no	Date	Name
25.01.12	JP	30.11.20	JP	012		

**Interior parts**

Shelves:

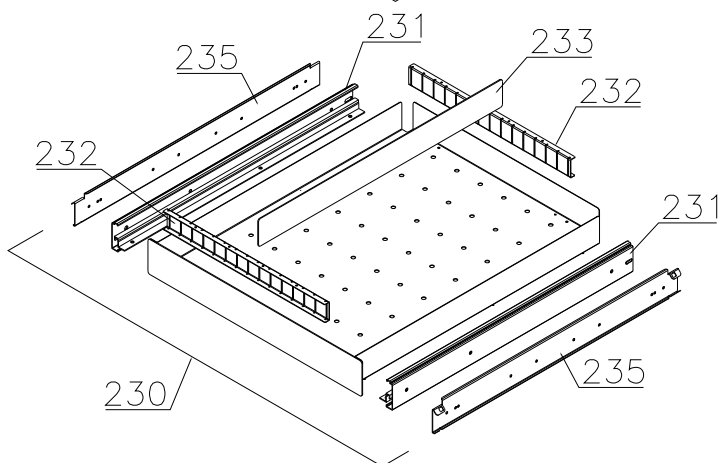
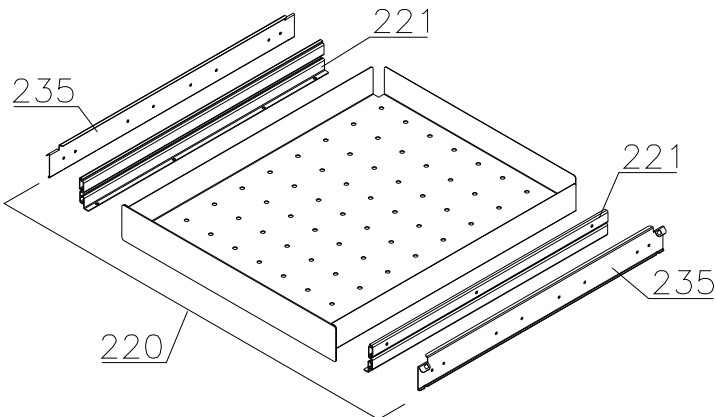
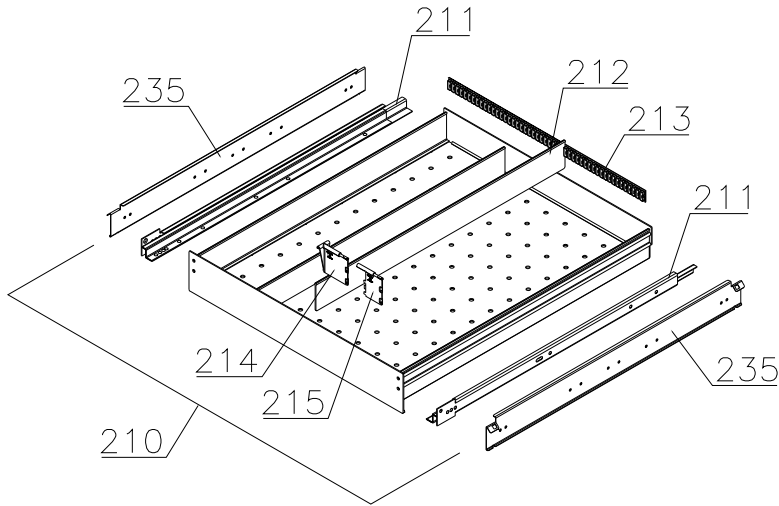


**Description :**

**Spare parts list for BioCompact II  
RR 610 H Glass door**

Compiled.		Latest revision.			Deleted.	
Date	Name	Date	Name	Rev.no	Date	Name
25.01.12	JP	30.11.20	JP	012		

**Drawers:**



Description :

**Spare parts list for BioCompact II  
RR 610 H Glass door**

Compiled.		Latest revision.			Deleted.	
Date	Name	Date	Name	Rev.no	Date	Name
25.01.12	JP	30.11.20	JP	012		

Item no.	Description	Gram part no.	week/year introduced	week/year deleted
----------	-------------	---------------	-------------------------	----------------------

**Essential spare parts**

1	Compressor FR 7.5 G	500550061	1508	
2	Starting relay	410589015	1508	
3	Cord relief	452440297	1508	
4	Cover	452440293	1508	
5	Start capacitor	451720018	1508	
6	Rubber foot	760080519	1508	
7	Screw for compressor	423200200	1508	
8	Fastening clip	760082367	1508	
9	Condenser	612900500	1508	
10	Condenser fan guard compl.	765080189	1508	
11	Filter drier	762900157	1508	
12	Condenser sensor	453531500	1508	
13	Re-evaporation heater	765071848	1508	2714
13	Re-evaporation heater	765072862	2714	
14	Float switch	765072049	1508	
15	Evaporator fan complete	761221902	1508	
16	Evaporator	761220332	1508	
17	Heat exchanger	761221403	1508	
18	Defrost sensor	453531501	1508	
19	Cabinet sensor	453531501	1508	
20	E-sensor	453531504	1508	
21	Door switch	450400113	1508	
22	LED driver	765072844	1508	
25	Controller display part	612900056	1508	
26	Label with keys	765041753	1508	
27	Band cable	453582046	1508	
27	Band cable for LTP	765072958	3519	
28	Electronic controller K6+	761256154	1508	
29	Electrical box complete	761232111	1508	
30	LTP controller	453580515	3519	
31	LTP sensor	453531526	3519	
32	PCB protection sheet	765072698	0718	
33	Screening plate	765073271	0718	
34	Dual locking spacer H=7.9 mm	451119525	0718	
35	Dual locking spacer H=15.9 mm	451119526	0718	
36	Push spacer H=7.9 mm	451119527	0718	
37	Solid state relay	450200300	4717	

Description :

**Spare parts list for BioCompact II  
RR 610 H Glass door**

Compiled.		Latest revision.			Deleted.	
Date	Name	Date	Name	Rev.no	Date	Name
25.01.12	JP	30.11.20	JP	012		

Item no.	Description	Gram part no.	week/year introduced	week/year deleted
40	Door gasket	761220372	1508	4314
40	Door gasket	761222871	4314	
41	Hinge, top	761222735	1508	4314
42	Hinge, bottom	761222737	1508	4314
42	Hinge, bottom self-close	right	761222824	4314
42	Hinge, bottom self-close	left	761222827	4314
43	Washer	760250524	1508	4314
43	Washer	420178003	4314	

Description :

**Spare parts list for BioCompact II  
RR 610 H Glass door**

Compiled.		Latest revision.			Deleted.	
Date	Name	Date	Name	Rev.no	Date	Name
25.01.12	JP	30.11.20	JP	012		

Item no.	Description	Gram part no.	week/year introduced	week/year deleted
----------	-------------	---------------	----------------------	-------------------

**Other spare parts**

50	Air relief valve	765081206	1508	
51	Front panel stainless	761234020	1508	
51	Front panel white	761234021	1508	
52	Hinge for front panel	761220388	1508	
53	Evaporator cover, side/back	761220326	1508	
54	Evaporator cover, front	761220325	1508	
55	Suspension bracket	760250295	1508	
56	Fan holder	761220369	1508	
57	Drip water tray	761221430	1508	
58	Air distribution plate	761220331	1508	
59	Re-evaporation tray	765081149	1508	
60	Water trap	760082891	1508	
61	Drain pipe	765081153	1508	5017
61	Drain pipe	765081253	5017	
62	Heater bracket	761255445	1508	2714
62	Heater bracket	763250002	2714	
63	Insulation slab	761221734	1508	
64	Screw for fan blade	612900100	1508	
65	Float switch bracket	761255446	1508	2714
65	Float switch bracket	763250003	2714	
66	Plastic cap	450450080	1508	
68	Fan guard	765081239	1508	
70	Lead and plug, DK 3-pin	765072568	1508	
70	Lead and plug, Schuko	765072566	1508	
70	Lead and plug, Switzerland	765070163	1508	
70	Lead and plug, GB	765072567	1508	
74	Leg, stainless H=135-200	765080115	1508	
75	Fixed wheel, H=125	480270520	1508	
76	Castor wheel, with brake	480260050	1508	
77	Screw M8 x 12	420050100	1508	
79	Condenser filter	761114416	1508	
80	Attachment plug	765081246	2809	
81	Front panel close catch	761220375	1508	
82	Front panel close keeper	761220374	1508	
83	Bracket for lock	761220376	1508	
84	Re-evap. heater kit complete	761255438	1508	2714
84	Re-evap. heater kit complete	763254026	2714	



*Gram Commercial*  
*Technical information*

765041486

Description :

**Spare parts list for BioCompact II  
RR 610 H Glass door**

Compiled.		Latest revision.			Deleted.	
Date	Name	Date	Name	Rev.no	Date	Name
25.01.12	JP	30.11.20	JP	012		

Item no.	Description	Gram part no.	week/year introduced	week/year deleted	
85	Door lock	765080092	1508		
86	Key no. 1 (25010)	765080340	1508		
86	Key no. 2 (25020)	765080341	1508		
86	Key no. 3 (25030)	765080342	1508		
86	Key no. 4 (25040)	765080343	1508		
86	Key no. 5 (25050)	765080344	1508		
86	Master key	765080385	1508		
87	Box for alarm connection	761233402	0508		
88	Insulation plug	765080563	0508		
89	Plastic cap	501020023	0508		
90	Electrics cover	765070143	1508		
91	Liquid container	765080384	1508		
92	Holder for liquid container	761256497	1508		
100	Foot pedal complete	819581053	0911		
101	Bracket for pedal	761224010	0911		
102	Pedal arm	761224002	0911		
103	Spindle	761224007	0911		
104	Spring	761224005	0911		
105	Plastic cap	581400021	0911		
106	Bush	761224008	0911		
150	Glass door, self-close	right	761232965	1508	
150	Glass door, self-close	left	761230974	1508	
151	Door magnet complete		761250786	1508	
152	Spacer f. hinge		761258621	1508	
153	Bush, top		760250525	1508	4314
154	Bush, bottom		761220936	1508	4314
155	LED light strip		761222718	1508	
156	Self-close device		763251745	4314	
157	Hinge bearing complete		761220980	4314	

*Gram Commercial*  
*Technical information*

765041486

Description :

**Spare parts list for BioCompact II  
RR 610 H Glass door**

Compiled.		Latest revision.			Deleted.	
Date	Name	Date	Name	Rev.no	Date	Name
25.01.12	JP	30.11.20	JP	012		

Item no.	Description	Gram part no.	week/year introduced	week/year deleted
----------	-------------	---------------	----------------------	-------------------

Interior equipment:

200	Wall rail, front	761220335	1508	
201	Wall rail, back	761220336	1508	
202	Shelf support rail	761256455	1508	
203	Grey wire shelf	818880008	1508	
204	Perforated shelf, stainless	761230083	0508	
210	Alu drawer, complete	761230362	2210	
211	Set of sliding rails	761234055	2210	
212	Divider rail	761230016	2210	
213	Holder for divider rail	761230063	2210	
214	Plastic divider 1	761230021	2210	
215	Plastic divider 2	761230022	2210	
220	Stainless drawer 30 kg, complete	761231232	1508	
221	Set of sliding rails	761234000	1508	
230	Stainless drawer 40 kg, complete	761231202	1508	
231	Set of sliding rails	761234058	1508	
232	Divider rail	761230305	1508	
233	Divider	761230308	1508	
235	Support for sliding rail	761230201	1508	3310
235	Support for sliding rail, right	761230278	3310	
235	Support for sliding rail, left	761230281	3310	