

*Spare parts - BioPlus /  
BioBlood  
ER/BR/RF/BF 500 CG/LG*

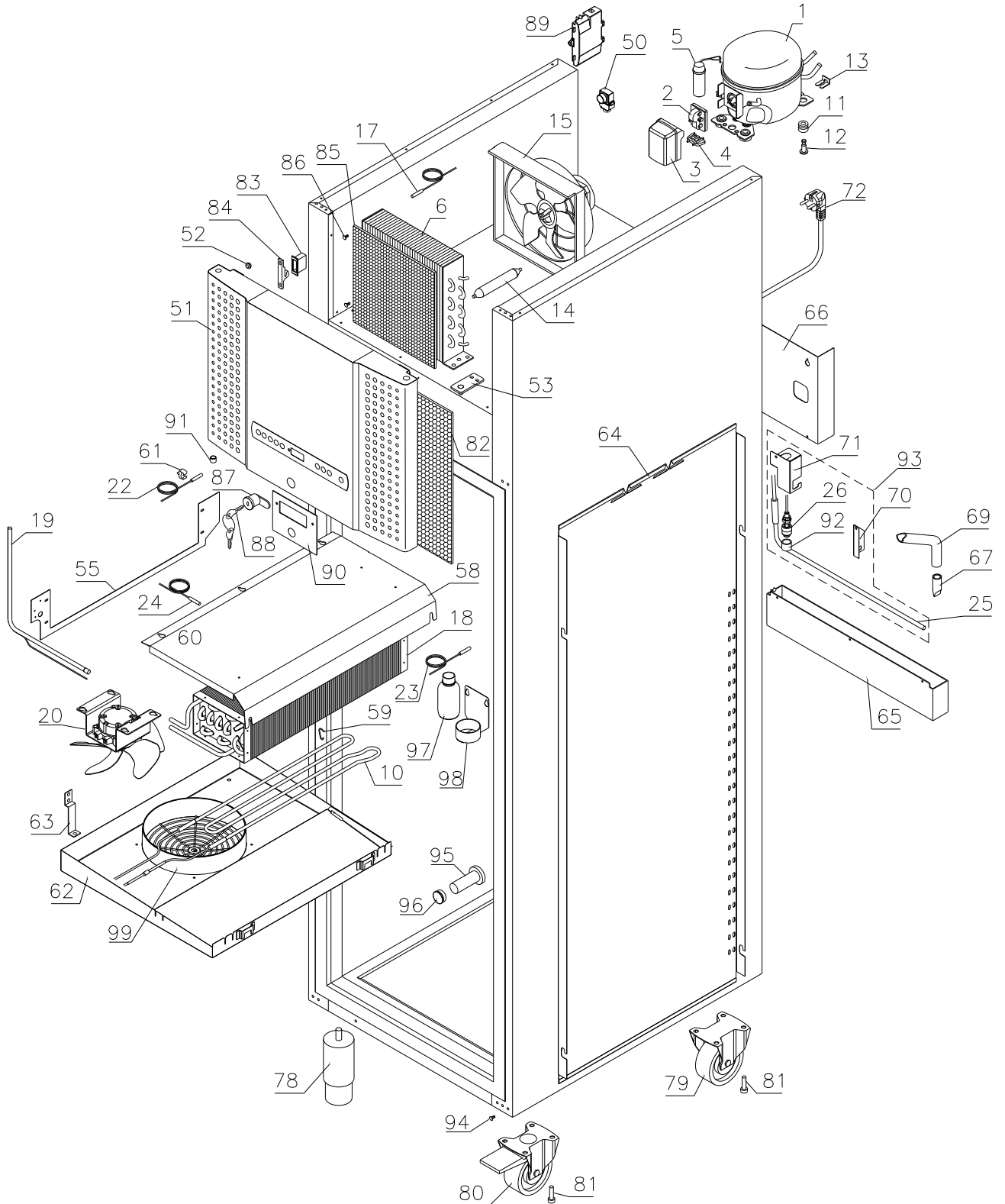


Description :

Spare parts list for BioPlus / BioBlood  
ER/BR/RF/BF 500 CG/LG

Compiled.		Latest revision.			Discontinued	
Date	Name	Date	Name	Rev.no	Date	Name
29.05.07	JP	26.07.23	JOLU	038		

ER/BR 500

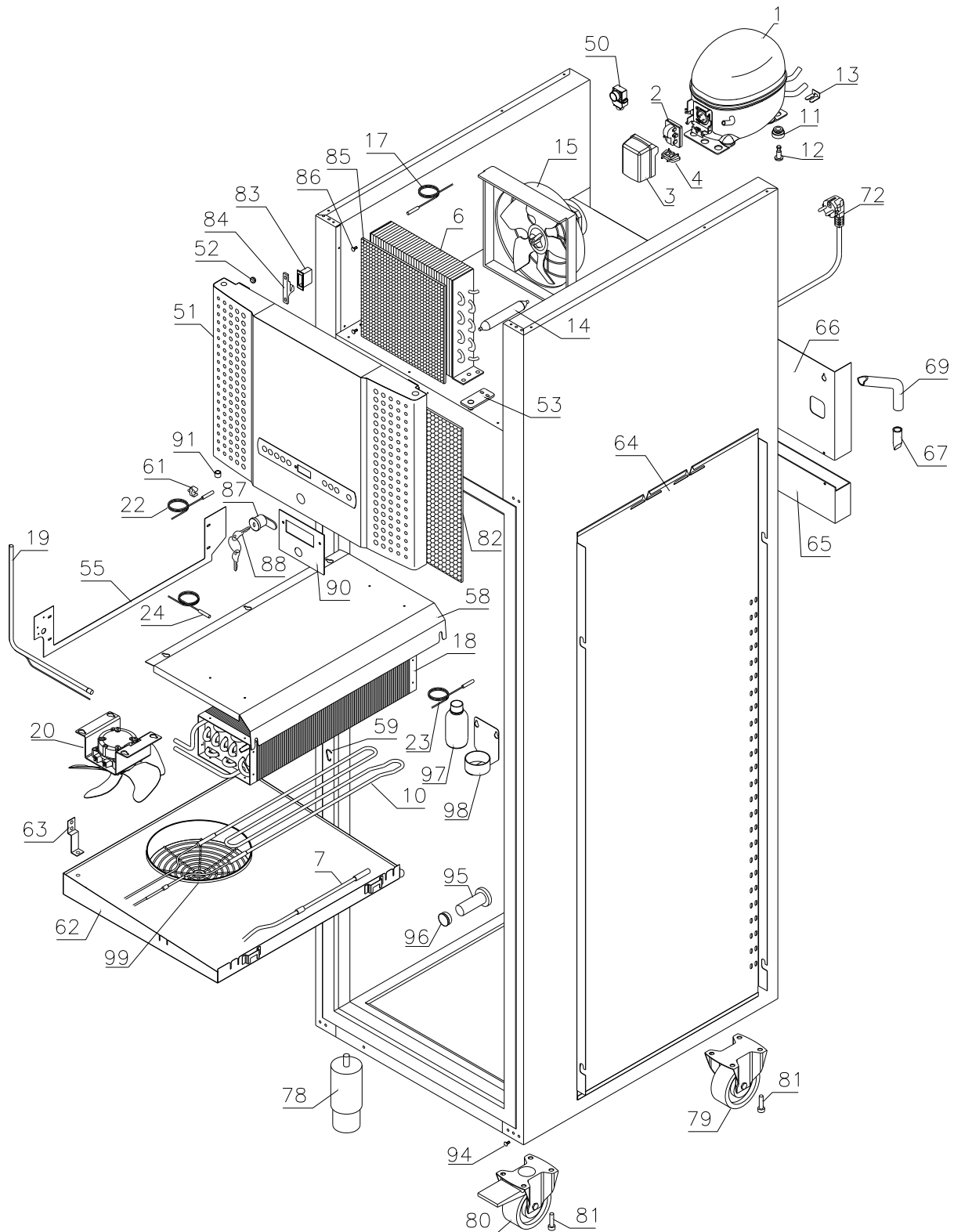


Description :

Spare parts list for BioPlus / BioBlood  
ER/BR/RF/BF 500 CG/LG

Compiled.		Latest revision.			Discontinued	
Date	Name	Date	Name	Rev.no	Date	Name
29.05.07	JP	26.07.23	JOLU	038		

RF/BF 500



Description :

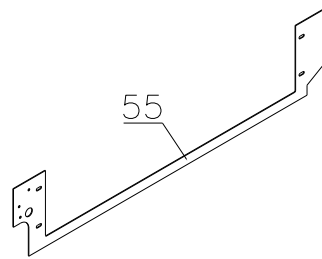
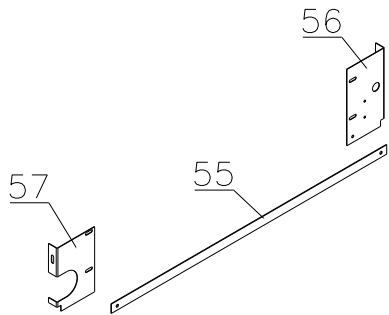
Spare parts list for BioPlus / BioBlood  
ER/BR/RF/BF 500 CG/LG

Compiled.		Latest revision.			Discontinued	
Date	Name	Date	Name	Rev.no	Date	Name
29.05.07	JP	26.07.23	JOLU	038		

Evaporator cover

1007 – 1009

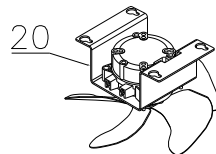
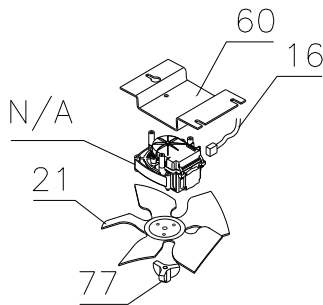
1009 -



Evaporator fan

1007 – 3620

3620 -



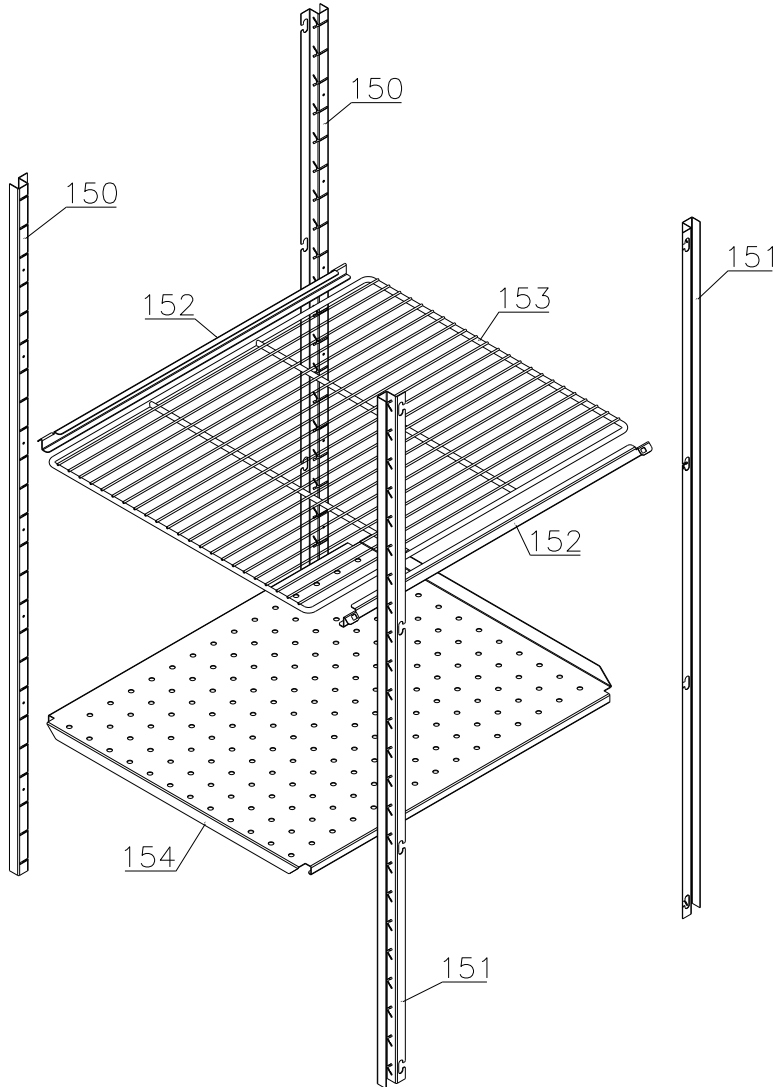
Description :

**Spare parts list for BioPlus / BioBlood  
ER/BR/RF/BF 500 CG/LG**

Compiled.		Latest revision.			Discontinued	
Date	Name	Date	Name	Rev.no	Date	Name
29.05.07	JP	26.07.23	JOLU	038		

**Interior equipment**

Shelves:

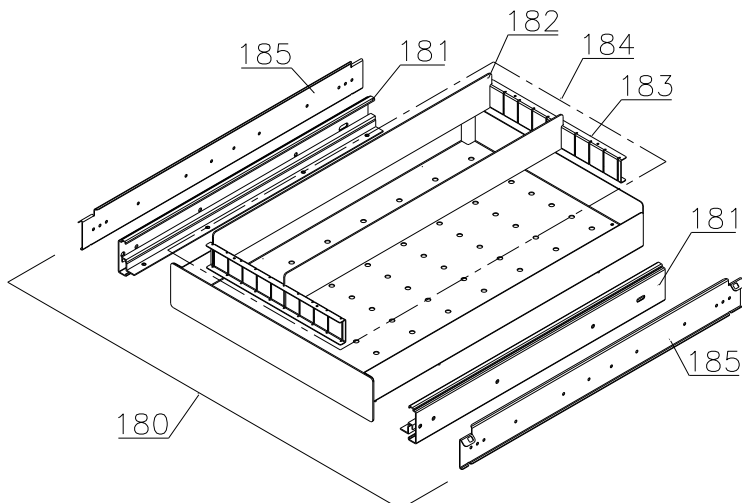
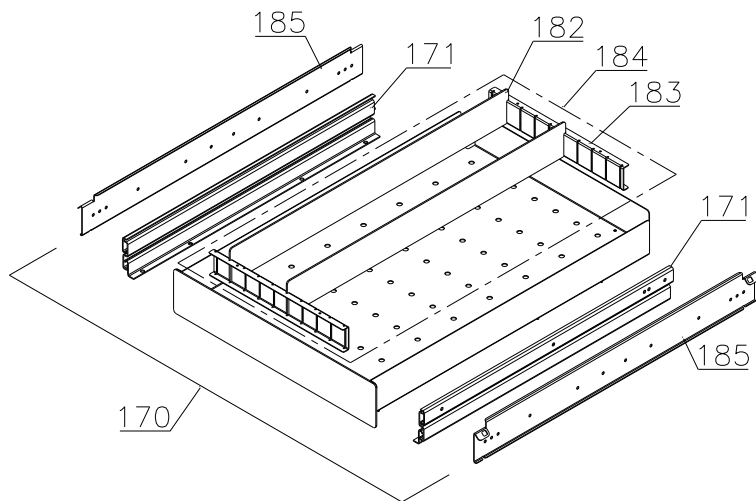
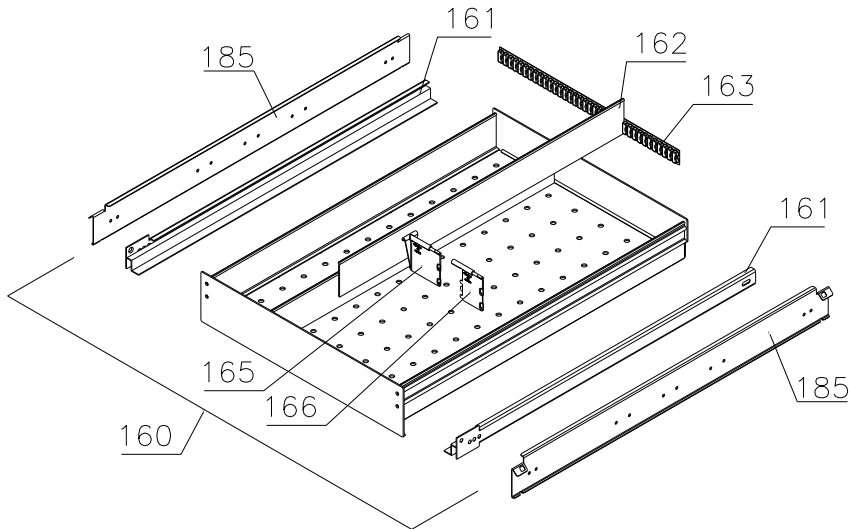


Description :

**Spare parts list for BioPlus / BioBlood  
ER/BR/RF/BF 500 CG/LG**

Compiled.		Latest revision.			Discontinued	
Date	Name	Date	Name	Rev.no	Date	Name
29.05.07	JP	26.07.23	JOLU	038		

Drawers:



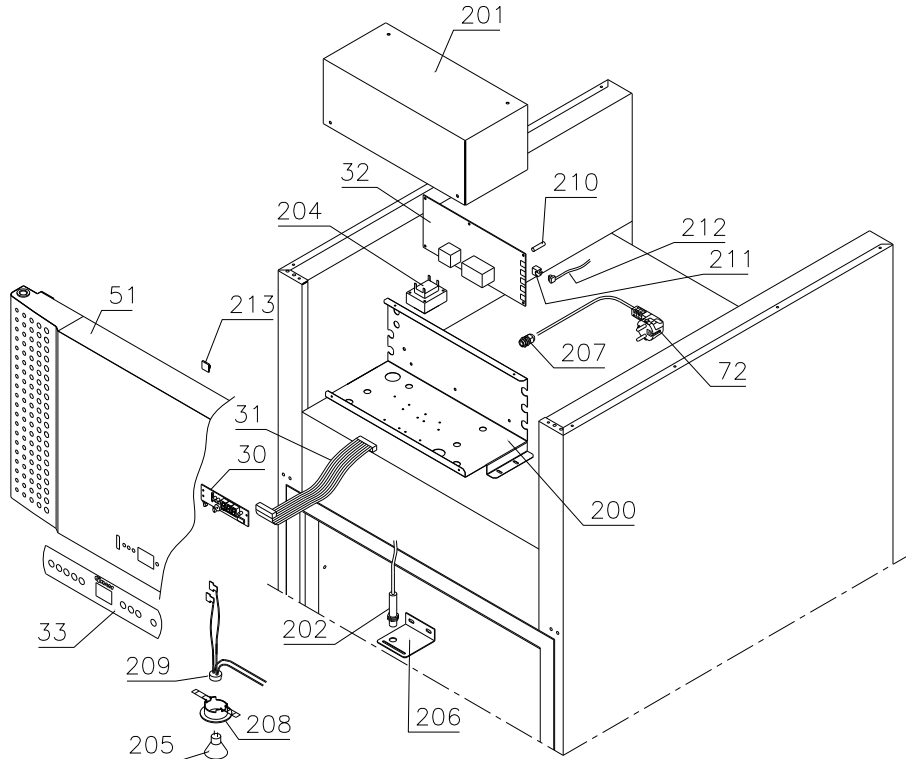
Description :

Spare parts list for BioPlus / BioBlood  
ER/BR/RF/BF 500 CG/LG

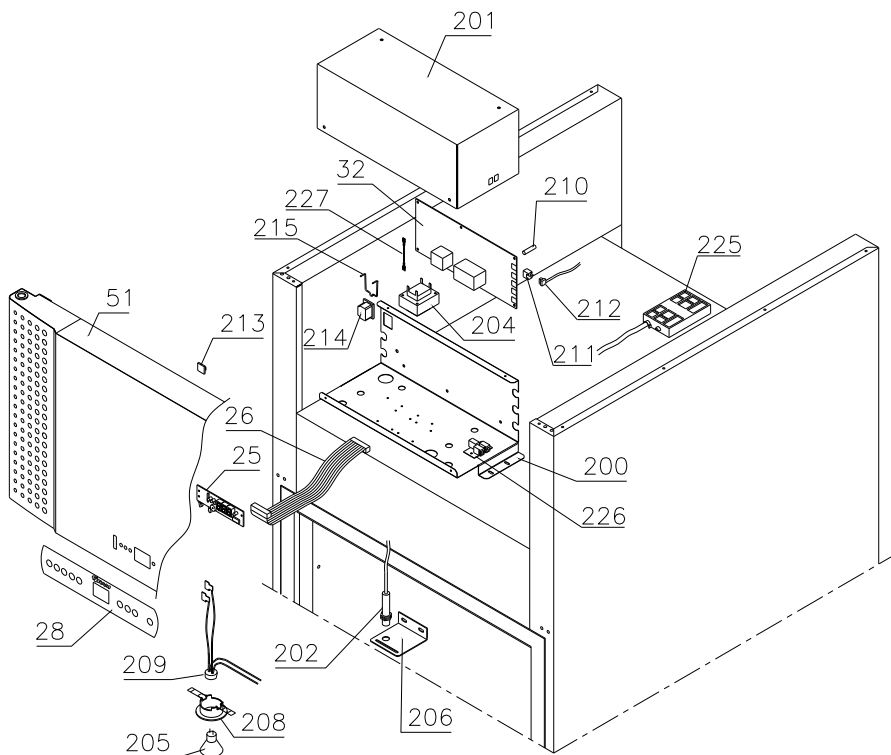
Compiled.		Latest revision.			Discontinued	
Date	Name	Date	Name	Rev.no	Date	Name
29.05.07	JP	26.07.23	JOLU	038		

Control panel/electric parts

1007 - 1709



1709 - 4815

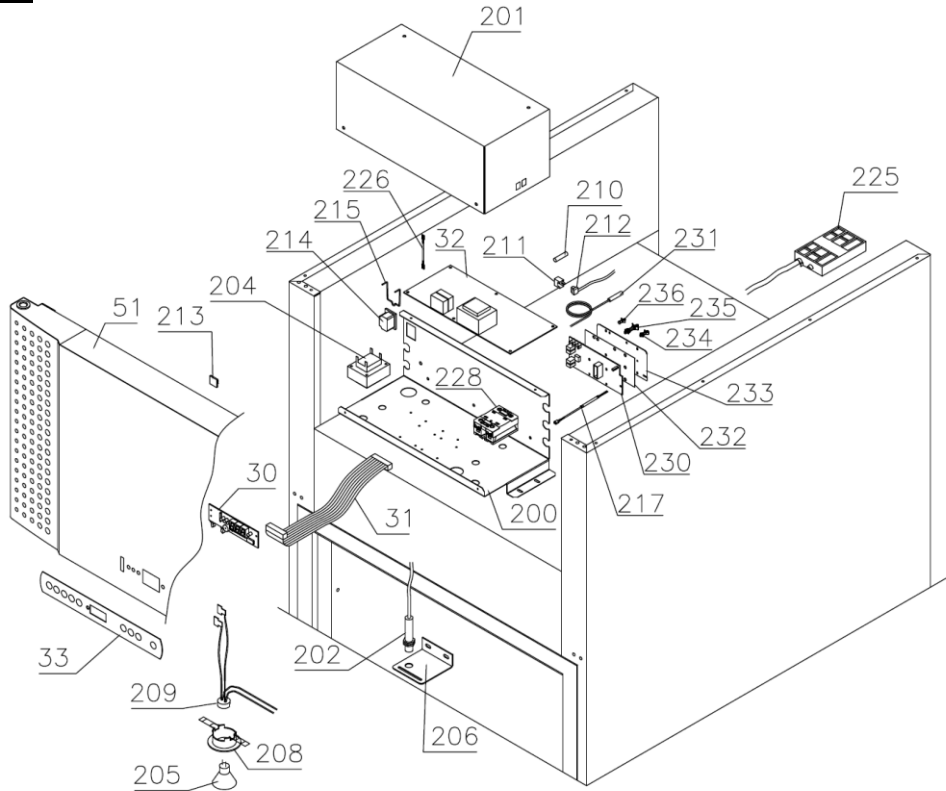


Description :

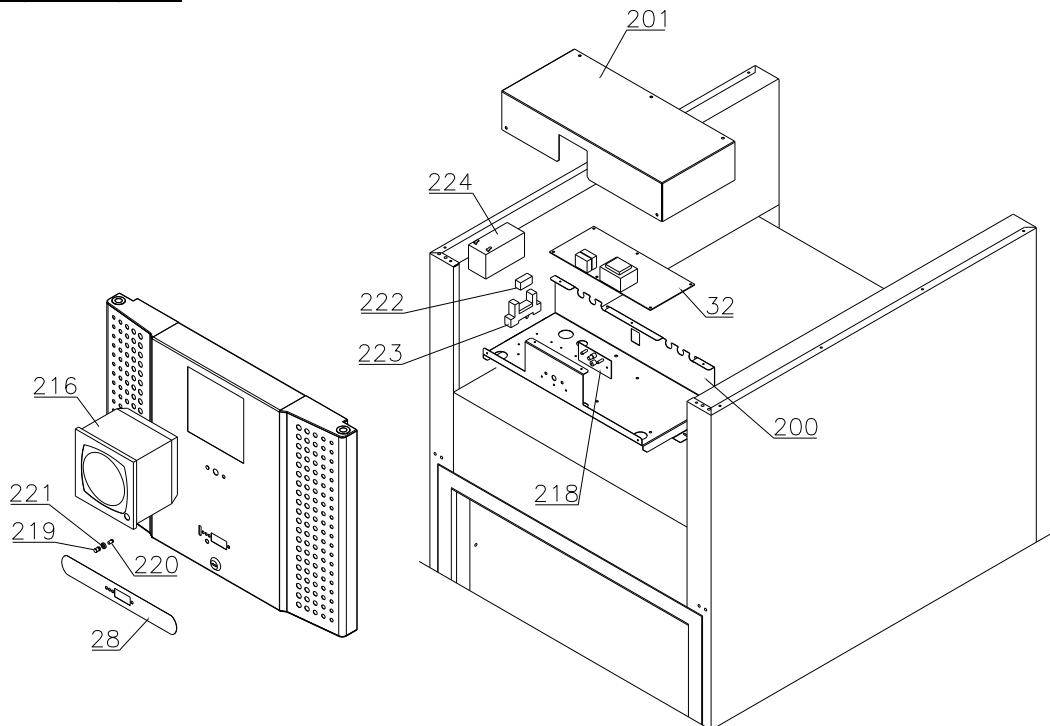
**Spare parts list for BioPlus / BioBlood  
ER/BR/RF/BF 500 CG/LG**

Compiled.		Latest revision.			Discontinued	
Date	Name	Date	Name	Rev.no	Date	Name
29.05.07	JP	26.07.23	JOLU	038		

4815 -



Optional parts





Description :

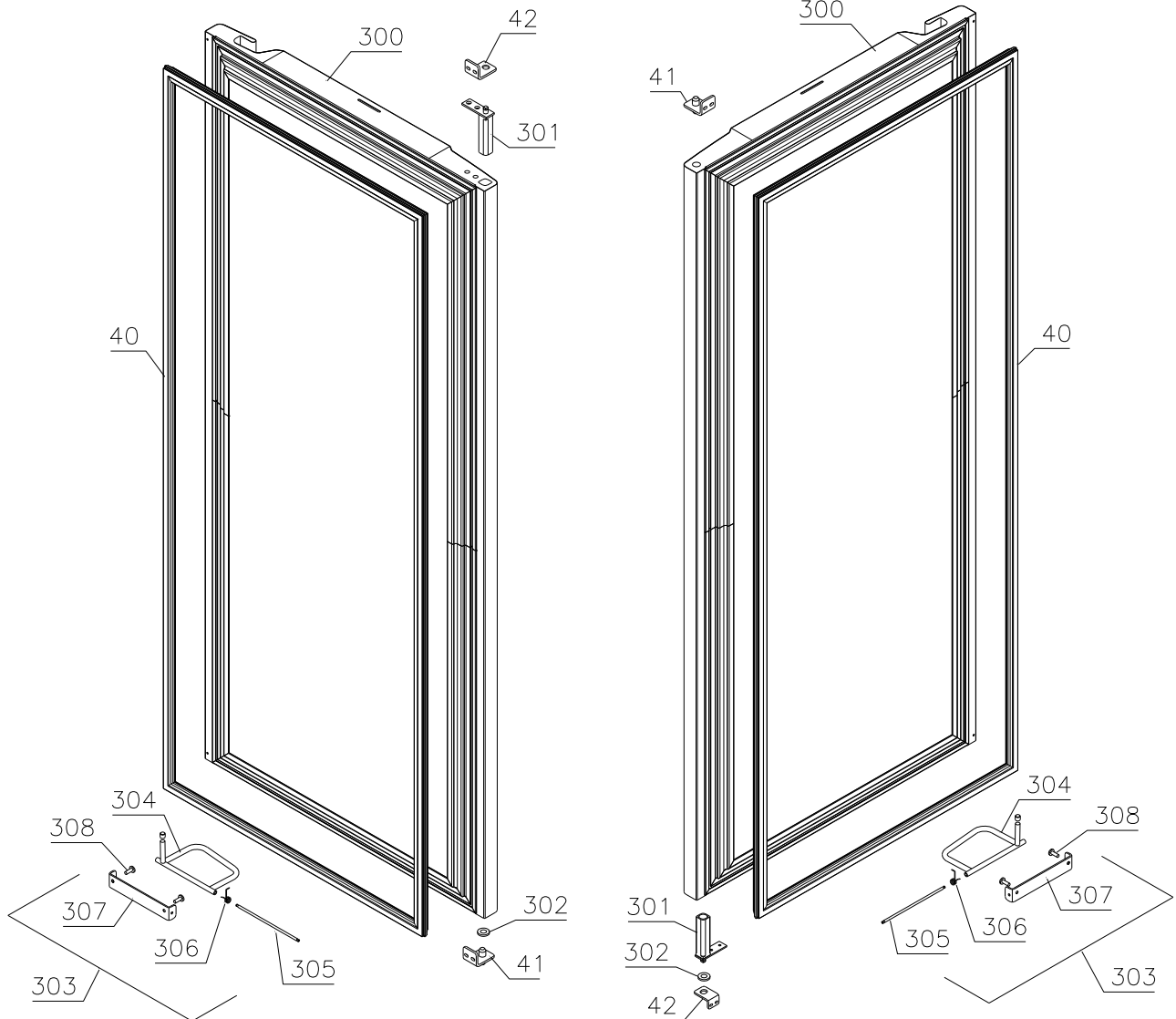
**Spare parts list for BioPlus / BioBlood  
ER/BR/RF/BF 500 CG/LG**

Compiled.		Latest revision.			Discontinued	
Date	Name	Date	Name	Rev.no	Date	Name
29.05.07	JP	26.07.23	JOLU	038		

**Door**

Lefthand:

Righthand:

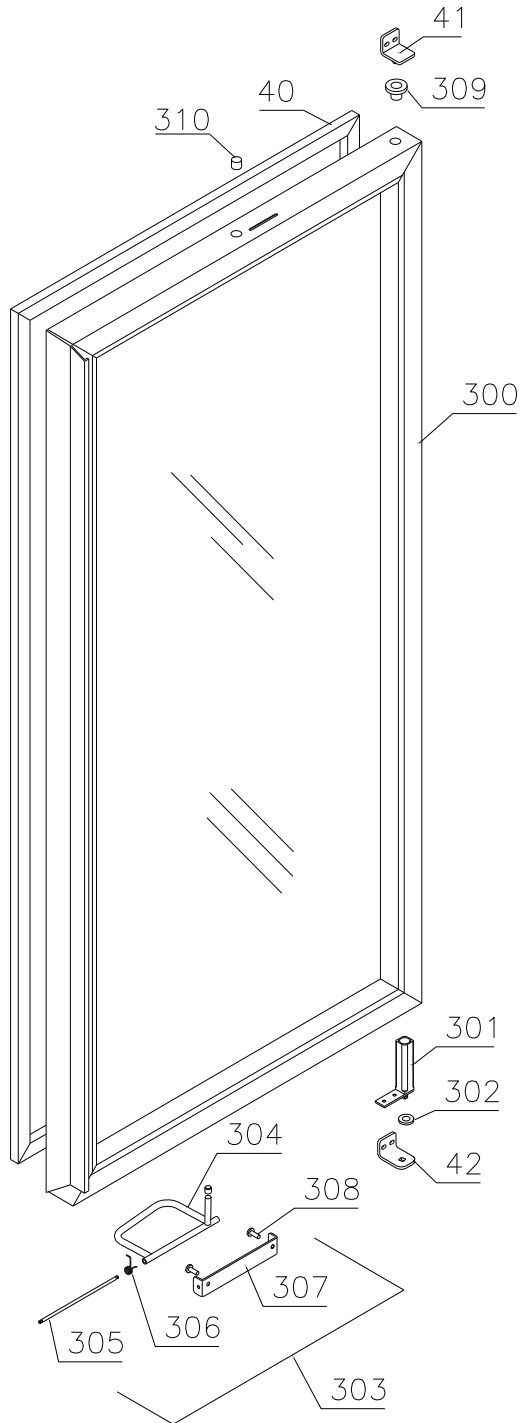


Description :

**Spare parts list for BioPlus / BioBlood  
ER/BR/RF/BF 500 CG/LG**

Compiled.		Latest revision.			Discontinued	
Date	Name	Date	Name	Rev.no	Date	Name
29.05.07	JP	26.07.23	JOLU	038		

Glass door

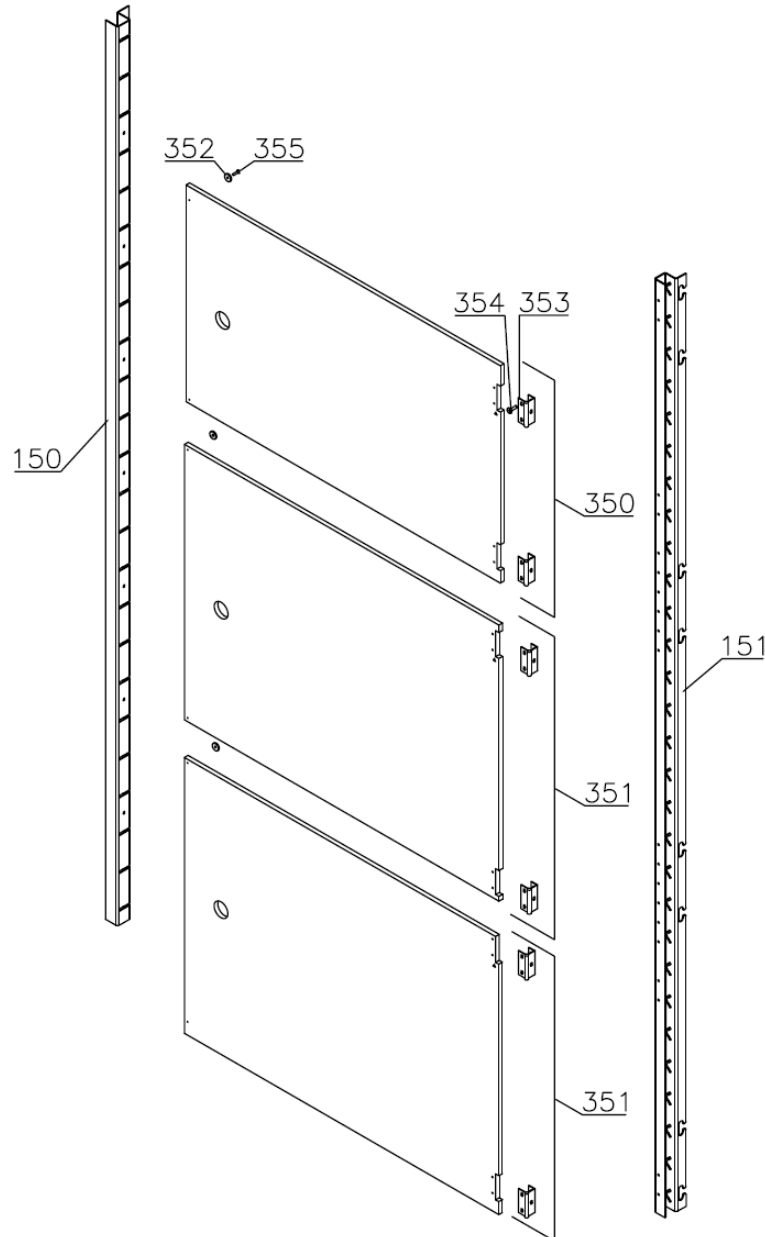


Description :

**Spare parts list for BioPlus / BioBlood  
ER/BR/RF/BF 500 CG/LG**

Compiled.		Latest revision.			Discontinued	
Date	Name	Date	Name	Rev.no	Date	Name
29.05.07	JP	26.07.23	JOLU	038		

**Internal doors**



*Technical information*

765041222

Description :

**Spare parts list for BioPlus / BioBlood  
ER/BR/RF/BF 500 CG/LG**

Compiled.		Latest revision.			Discontinued	
Date	Name	Date	Name	Rev.no	Date	Name
29.05.07	JP	26.07.23	JOLU	038		

Item No.	Description	Gram part No.	week/year Issued	week/year Deleted
----------	-------------	---------------	---------------------	----------------------

**Essential spare parts**

Refrigeration system/cabinet

ER/BR 500:

1	Compressor TL5CNK	502900000	1007	
2	Starting device	453051002	1007	
3	Cover	452440293	1007	
4	Cord relief	452440300	1007	
5	Run capacitor	760073377	1007	
6	Condenser	612900500	1007	

RF/BF 500:

1	Compressor NL9CN	502900006	1007	
2	Starting device	453050151	1007	
3	Cover	452440293	1007	
4	Cord relief	452440300	1007	
6	Condenser	612900500	1007	
7	Drip water heater 6,5 W	765071698	1007	

Common parts:

10	Defrost heating element 300 W	765072056	1007	
11	Rubber foot	760080519	1007	
12	Bush	760080521	1007	0309
12	Compressor screw	760082711	0309	
13	Compressor clip	760082367	0309	
14	Filter drier	762900156	1007	
15	Condenser fan guard	765080189	1007	
16	Wire for fan motor	612900400	1007	3620
17	Condenser sensor	453531500	1007	

*Technical information*

765041222

Description :

**Spare parts list for BioPlus / BioBlood  
ER/BR/RF/BF 500 CG/LG**

Compiled.		Latest revision.			Discontinued	
Date	Name	Date	Name	Rev.no	Date	Name
29.05.07	JP	26.07.23	JOLU	038		

Item No.	Description	Gram part No.	week/year Issued	week/year Deleted
----------	-------------	---------------	---------------------	----------------------

18	Evaporator	765080185	1007	
19	Heat exchanger	762900202	1007	
20	Evaporator fan complete	761234098	1007	3921
20	Evaporator fan complete	761234129	3921	
21	Fan blade, ø200 34°	612900201	1007	3620
22	Room sensor	453531500	1007	
23	E-sensor	453531504	1007	
24	Defrost sensor	453531504	1007	
25	Re-evap. heating element 60 W	765072862	1007	
26	Float switch	765072049	1007	

Control panel/electrical parts:

30	Electronic control, display part	612900056	1007	
30	Electronic control, display part for LTP	612900057	3919	
31	Band cable L=1200	453582046	1007	
31	Band cable for LTP	765072971	3919	
32	Controller power part M5	ER 761256135	1007	
32	Controller power part M4	BR 761256133	1007	
32	Controller power part F5	RF/BF 761256134	1007	4414
32	Controller power part F51	RF/BF 761256162	4414	
32	Controller power part M5 batt.alm.	ER 761256146	1007	
32	Controller power part M4 batt.alm.	BR 761256145	1007	
32	Controller power part F5 batt.alm.	RF/BF 761256147	1007	
33	Label with keys	765041752	1007	

Door:

40	Door gasket	761259245	1007	
41	Hinge, upper right/bottom left	761258923	1007	
42	Hinge, bottom right/upper left	761259250	1007	

Technical information

765041222

Description :

Spare parts list for BioPlus / BioBlood  
ER/BR/RF/BF 500 CG/LG

Compiled.		Latest revision.			Discontinued	
Date	Name	Date	Name	Rev.no	Date	Name
29.05.07	JP	26.07.23	JOLU	038		

Item No.	Description	Gram part No.	week/year Issued	week/year Deleted
----------	-------------	---------------	---------------------	----------------------

**Other spare parts**

Cabinet

50	Air relief valve		765081206	1007	
51	Front panel – solid door, stainless		761234022	1007	
51	Front panel – solid door, white		761231400	1007	
51	Front panel – glass door, stainless		761234023	1007	
51	Front panel – glass door, white		761234024	1007	
52	Front panel plug		760250272	1007	
53	Hinge for front panel		761258926	1007	
55	Cover rail for evaporator		761254449	1007	1009
55	Cover for evaporator (one piece)		761254468	1009	
56	Cover plate, left		761254530	1007	1009
57	Cover plate, right		761258824	1007	1009
58	Suspension plate for evaporator		761258821	1007	
59	Heating element bracket		761254427	1007	
60	Fan holder		761258499	1007	3620
61	Cable clip		452470001	1007	
62	Drip water tray		761256016	1007	1009
62	Drip water tray		761256038	1009	
62	Drip water tray, insulated	RF/BF	761236005	0700	
63	Holder for drip water tray		761253441	1007	
63	Holder for drip water tray	RF/BF	761253444	0700	
64	Air distribution plate		761254082	1007	
65	Re-evaporation tray		765081149	1007	
66	Cover plate for re-evap. tray		761255383	1007	
67	Water trap		760082891	1007	
69	Drain pipe		765081253	1007	
70	Heating element bracket		761255445	1007	2714
70	Heating element bracket		763250021	2714	
71	Float switch bracket		761255446	1007	2714
71	Float switch bracket		763250020	2714	
72	Lead and plug, DK 3-pin		765072568	1007	
72	Lead and plug, Schuko		765072566	1007	
72	Lead and plug, GB		765072567	1007	
77	Screw for fan blade		612900100	1007	3620
78	Leg, stainless H=135-200		765080143	1007	
79	Fixed wheel, H=125		480270520	1007	
80	Castor wheel, with brake		480260050	1007	
81	Screw M8 x 20		422715070	1007	

*Technical information*

765041222

Description :

**Spare parts list for BioPlus / BioBlood  
ER/BR/RF/BF 500 CG/LG**

Compiled.		Latest revision.			Discontinued	
Date	Name	Date	Name	Rev.no	Date	Name
29.05.07	JP	26.07.23	JOLU	038		

Item No.	Description	Gram part No.	week/year Issued	week/year Deleted
82	Front panel filter	761258491	1007	
83	Front panel close latch	761253307	1007	
84	Front panel close keeper	761253301	1007	
85	Condenser filter	761114415	1007	
86	Attachment plug	765081246	1007	
87	Door lock – solid door	765080092	1007	
87	Door lock – glass door	765080098	1007	
88	Key no. 1 (25010)	765080340	1007	
88	Key no. 2 (25020)	765080341	1007	
88	Key no. 3 (25030)	765080342	1007	
88	Key no. 4 (25040)	765080343	1007	
88	Key no. 5 (25050)	765080344	1007	
88	Master key	765080385	1007	
89	Junction box f. re-evap. heater	765070143	1007	
90	Bracket for lock	761258747	1007	
91	Bush ø12	761254345	1007	
92	Plastic cap	450450080	1007	
93	Re-evaporation heater kit complete	763254026	1007	
94	Cap for M5 hole	grey	765080501	1007
94	Cap for M5 hole	white	765080504	1007
95	Insulation plug	765080563	2309	
96	Plastic cap	501020023	2309	
97	Liquid container	765080384	1007	
98	Holder for liquid container	761256497	1007	
99	Fan guard	765081239	1009	

*Technical information*

765041222

Description :

**Spare parts list for BioPlus / BioBlood  
ER/BR/RF/BF 500 CG/LG**

Compiled.		Latest revision.			Discontinued	
Date	Name	Date	Name	Rev.no	Date	Name
29.05.07	JP	26.07.23	JOLU	038		

Item No.	Description	Gram part No.	week/year Issued	week/year Deleted
----------	-------------	---------------	---------------------	----------------------

Optional parts:

150	Wall rail, H=32	761256475	1007	
150	Wall rail, H=32 - for internal doors	761230292	2010	
151	Wall rail, H=42	761256474	1007	
151	Wall rail, H=42 - for internal doors	761230293	2010	
152	Shelf support rail	761256489	1007	
153	Stainless wire shelf	818979907	1007	
153	Grey wire shelf	765080364	1007	
153	Stainless wire shelf / internal doors	765080407	3210	
154	Perforated shelf, stainless	761230029	1007	
160	Alu drawer, complete	761230359	1007	
161	Set of sliding rails	761230099	1007	
162	Divider rail	761230096	1007	
163	Holder for divider rail	761230369	1007	
165	Plastic divider 1	761230021	1007	
166	Plastic divider 2	761230022	1007	
170	Stainless drawer, complete 30 kg	761231231	1007	
171	Set of sliding rails	761234007	1008	
180	BioBlood drawer, complete 40 kg	761231201	1008	
181	Set of sliding rails	761234057	1008	
182	Insert for blood bags	761230323	1708	
183	Divider for insert	761230321	1708	
184	Divider set complete	761231450	1708	
185	Support for sliding rail	761230219	1008	



*Technical information*

765041222

Description :

**Spare parts list for BioPlus / BioBlood  
ER/BR/RF/BF 500 CG/LG**

Compiled.		Latest revision.			Discontinued	
Date	Name	Date	Name	Rev.no	Date	Name
29.05.07	JP	26.07.23	JOLU	038		

Item No.	Description	Gram part No.	week/year Issued	week/year Deleted
----------	-------------	---------------	---------------------	----------------------

Control panel/electrical parts:

200	Junction box	761255431	1007	
200	Junction box – batt.alarm	761230184	1007	
201	Cover for junction box	761255432	1007	
201	Cover for junction box – batt.alarm	761256492	1007	
202	Door switch	450400113	1007	
203	Distance tube L=8.3 mm	765080021	1007	
204	Trafo for lights	760073650	1007	
205	Halogen light 10W	450742002	1007	
206	Bracket for door switch and lock	761259005	1007	
206	Bracket for door switch and lock (Glass door)	761259176	1007	
207	Cord relief	761271351	1007	
208	Mounting socket for halogen light	761251324	1007	
209	Wiring for halogen light	765071603	1007	
210	Spacer for PCB	451119515	1007	
211	Sensor plug holder	452260601	1007	
212	Sensor plug	452260600	1007	
213	Cable clip	424350001	1007	
214	Appliance inlet	451022002	1709	
215	Brace for mains cable	761230215	1709	
216	Chart recorder	761256438	1007	
217	Cable to SSR incl. resistance	765071445	1023	
217	Cable to SSR incl. resistance "LTP"	765071449	1023	
218	Battery alarm PCB	453580116	1007	
219	Clear glass for LED	765080380	1007	
220	Light stick for LED	765080381	1007	
221	Spacer for LED	765080382	1007	
222	Relay	450200082	1007	
223	Relay socket	450200097	1007	
224	Battery	130080060	1007	
225	Box for alarm connection	761230356	1210	
226	Datalogger connector	453570037	4311	
227	Wire for defrost heater	765072664	4811	
228	Solid state relay	450200300	4815	
230	LTP controller	453580515	3919	
231	LTP sensor	453531529	3919	
232	PCB protection sheet	765072698	0718	
233	Screening plate	765073271	0718	
234	Dual locking spacer H=7.9 mm	451119525	0718	
235	Dual locking spacer H=15.9 mm	451119526	0718	
236	Push spacer H=7.9 mm	451119527	0718	

*Technical information*

765041222

Description :

**Spare parts list for BioPlus / BioBlood  
ER/BR/RF/BF 500 CG/LG**

Compiled.		Latest revision.			Discontinued	
Date	Name	Date	Name	Rev.no	Date	Name
29.05.07	JP	26.07.23	JOLU	038		

Item No.	Description	Gram part No.	week/year Issued	week/year Deleted
----------	-------------	---------------	---------------------	----------------------

Door :

300	Door, stainless	761251311	1007	
300	Door, white	761251312	1007	
300	Glass door	761259540	1007	
301	Self-close device	761259909	1007	
302	Washer	421708020	1007	
302	Washer	760250524	1007	
303	Foot pedal complete, lefthand	761258167	1007	
303	Foot pedal complete, righthand	761258166	1007	
304	Pedal arm, lefthand	761258482	1007	
304	Pedal arm, righthand	761258407	1007	
305	Pedal spindle	761258406	1007	
306	Spring for pedal, lefthand	760251364	1007	
306	Spring for pedal, righthand	760251363	1007	
307	Bracket for pedal	761258404	1007	
308	Screw M5x12	420178203	1007	
309	Hinge bush	760242041	1007	
310	Magnet for door switch	450401002	1007	

Internal doors:

350	Upper door, complete	761231893	2010	
351	Lower door, complete (2 off)	761231894	2010	
352	Magnet	450401003	2010	
353	Hinge	761230343	2010	
354	Screw for hinge	420168174	2010	
355	Screw for magnet	420168175	2010	