

Spare parts list
BioCompact RF 210
BioCompact II RF
210

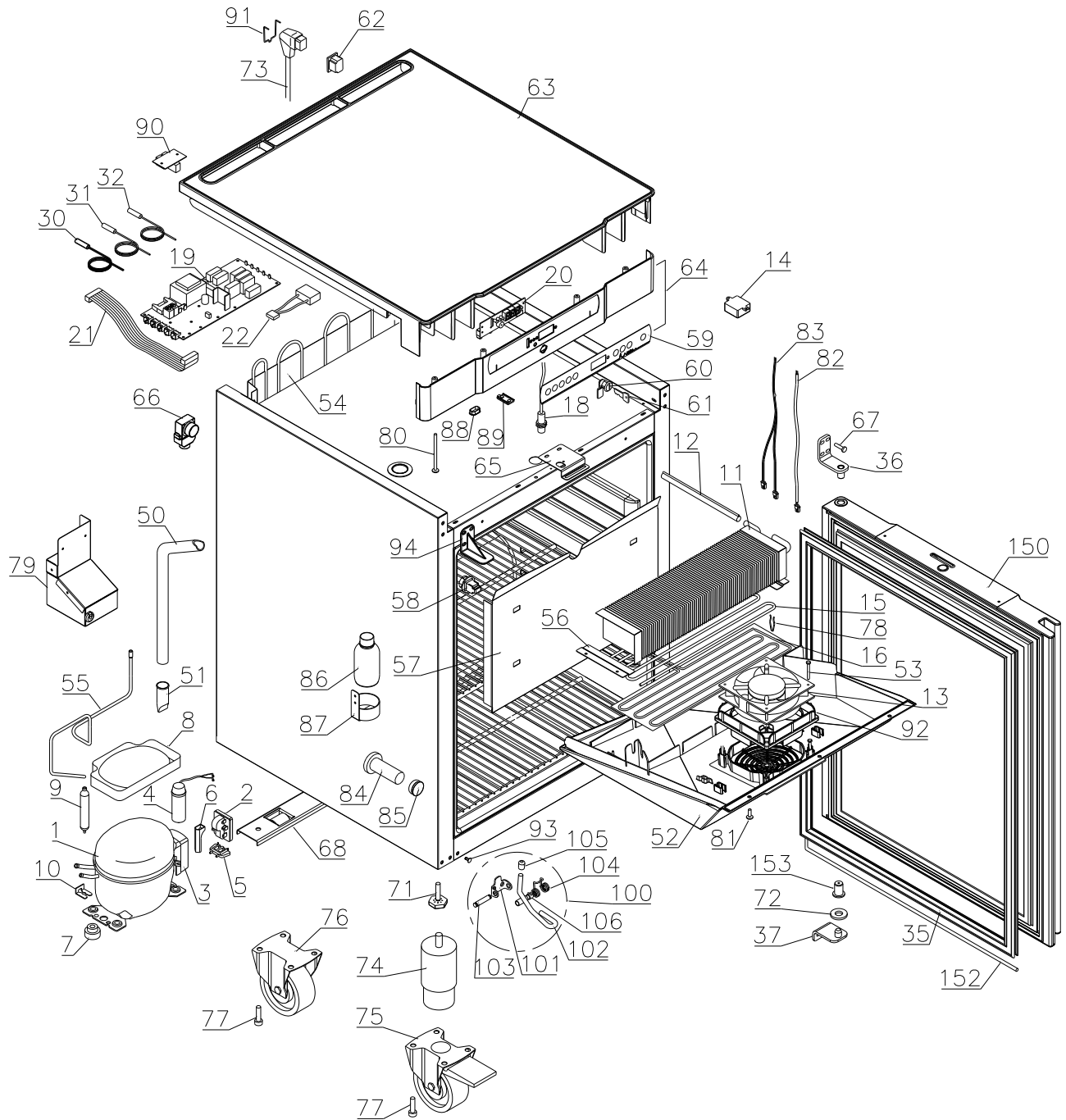


Description :

Spare parts list for
BioCompact / BioCompact II RF 210

| Compiled. | | Latest revision. | | | Deleted. | |
|-----------|------|------------------|------|--------|----------|------|
| Date | Name | Date | Name | Rev.no | Date | Name |
| 12.02.10 | JP | 26.07.23 | JOLU | 031 | | |

Exploded view RF 210

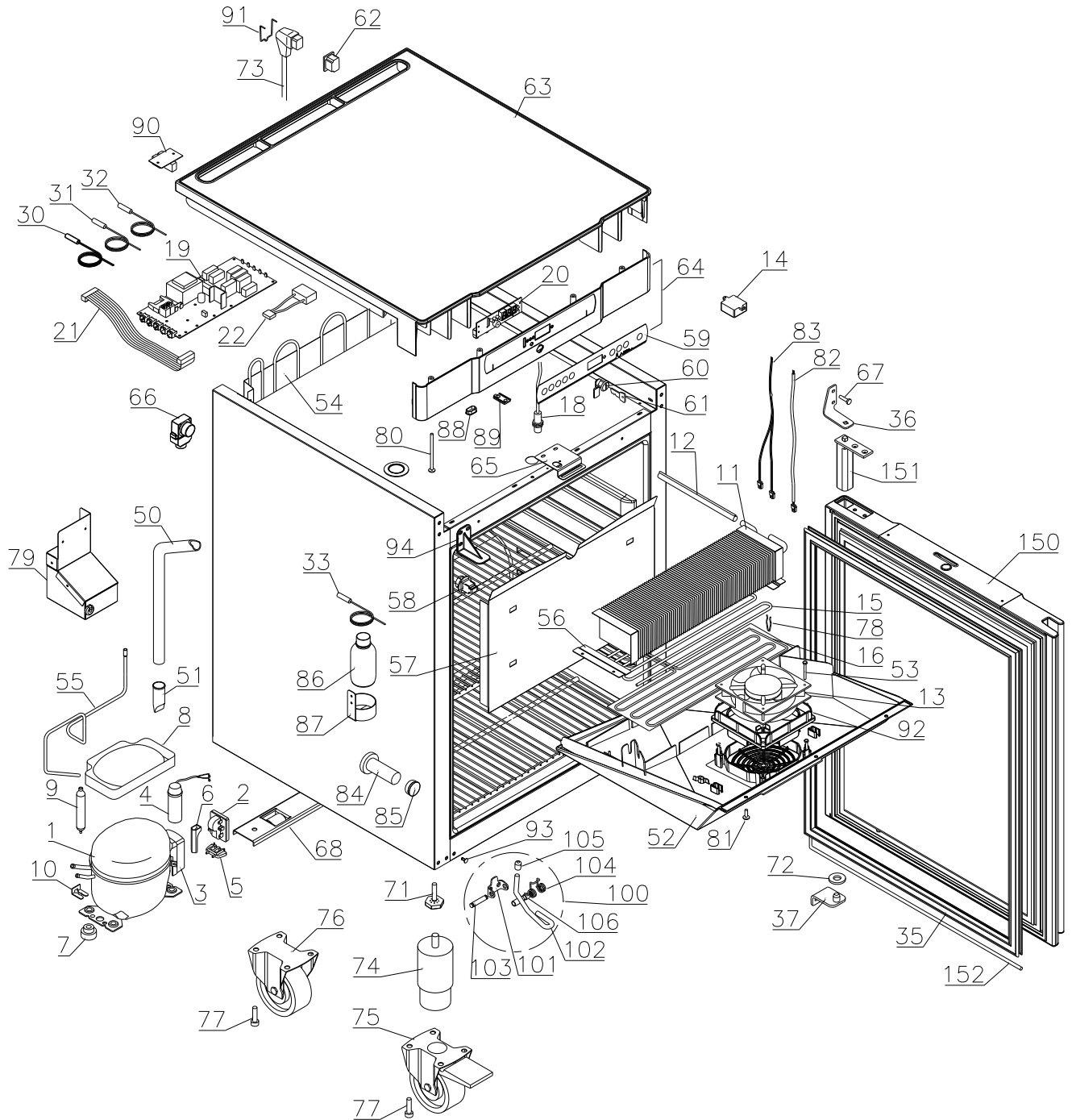


Description :

**Spare parts list for
BioCompact / BioCompact II RF 210**

| Compiled. | | Latest revision. | | | Deleted. | |
|-----------|------|------------------|------|--------|----------|------|
| Date | Name | Date | Name | Rev.no | Date | Name |
| 12.02.10 | JP | 26.07.23 | JOLU | 031 | | |

Exploded view IIRF 210



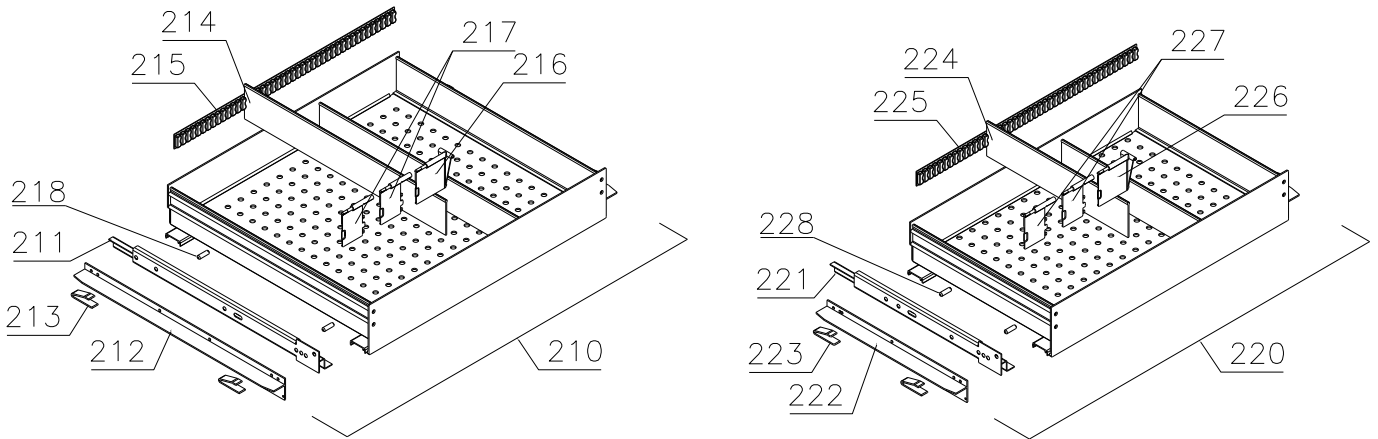
Description :

**Spare parts list for
BioCompact / BioCompact II RF 210**

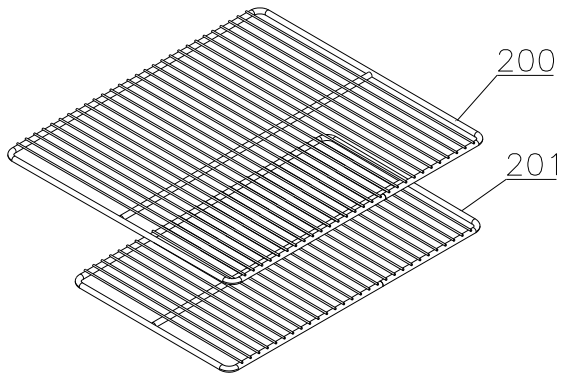
| Compiled. | | Latest revision. | | | Deleted. | |
|-----------|------|------------------|------|--------|----------|------|
| Date | Name | Date | Name | Rev.no | Date | Name |
| 12.02.10 | JP | 26.07.23 | JOLU | 031 | | |

Interior equipment

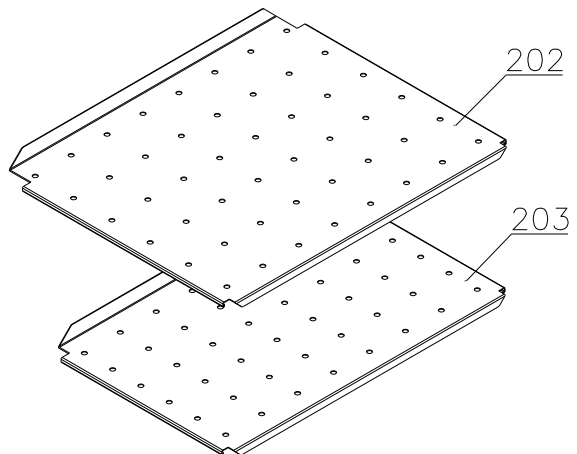
Alu drawers:



Wire shelves:



Perforated shelves:

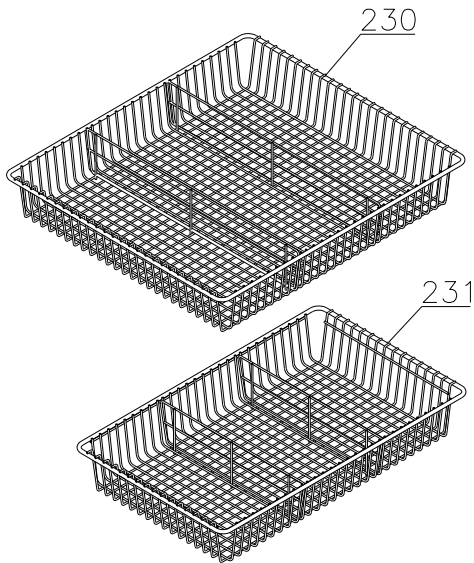


Description :

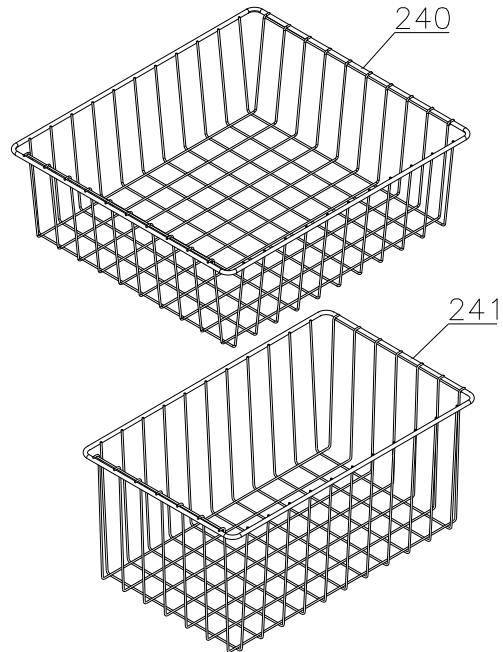
**Spare parts list for
BioCompact / BioCompact II RF 210**

| Compiled. | | Latest revision. | | | Deleted. | |
|-----------|------|------------------|------|--------|----------|------|
| Date | Name | Date | Name | Rev.no | Date | Name |
| 12.02.10 | JP | 26.07.23 | JOLU | 031 | | |

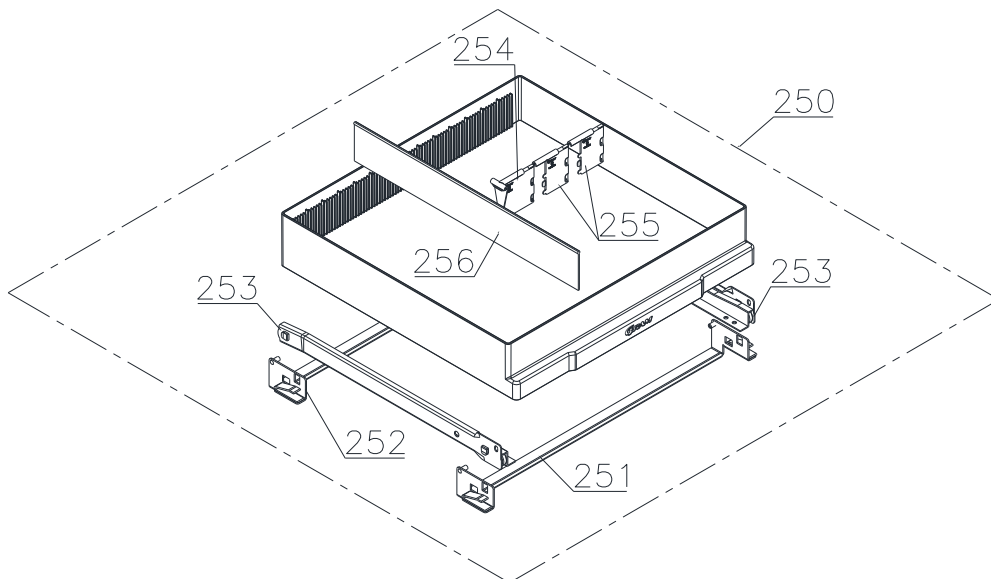
Wire drawers:



Wire baskets:



Plastic drawer:



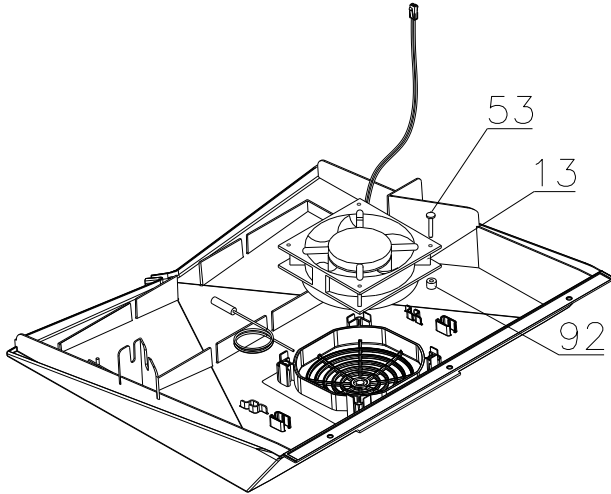
Description :

**Spare parts list for
BioCompact / BioCompact II RF 210**

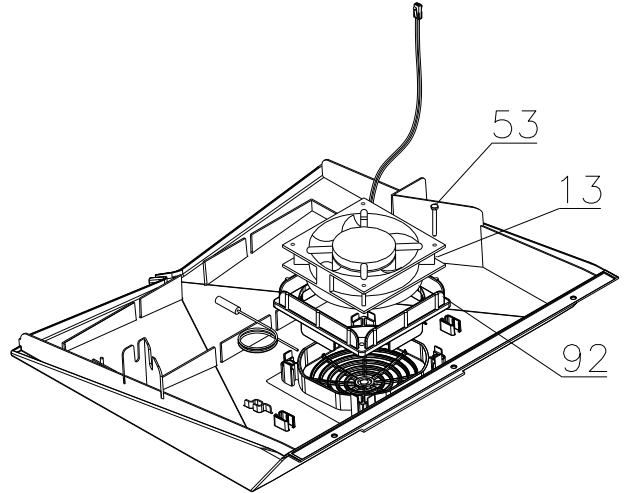
| Compiled. | | Latest revision. | | | Deleted. | |
|-----------|------|------------------|------|--------|----------|------|
| Date | Name | Date | Name | Rev.no | Date | Name |
| 12.02.10 | JP | 26.07.23 | JOLU | 031 | | |

Fan suspension

0110 - 0811



0811 -



Technical information

765041346

Description :

Spare parts list for
BioCompact / BioCompact II RF 210

| Compiled. | | Latest revision. | | | Deleted. | |
|-----------|------|------------------|------|--------|----------|------|
| Date | Name | Date | Name | Rev.no | Date | Name |
| 12.02.10 | JP | 26.07.23 | JOLU | 031 | | |

| Item no. | Description | Gram part no. | Week/year: | |
|----------|-------------|---------------|------------|---------|
| | | | Issued | Deleted |

Essential spare parts

RF 210 RG/LG

| | | | | |
|---|-----------------------|-----------|------|--|
| 1 | Compressor TLY10.KK.3 | 500550091 | 0510 | |
| 2 | Starting device | 453050178 | 0510 | |
| 3 | Cover | 452440293 | 0510 | |
| 4 | Run capacitor 4 µF | 451723513 | 0510 | |
| 5 | Cord relief | 452440300 | 0510 | |
| 6 | Protection screen PTC | 452440290 | 0510 | |

RF 210 RH/LH 50Hz

| | | | | |
|---|-------------------------|-----------|------|--|
| 1 | Compressor TLES5,7.FT.3 | 500550094 | 0510 | |
| 2 | Starting device | 453050178 | 0510 | |
| 3 | Cover | 452440293 | 0510 | |
| 4 | Run capacitor 4µF | 451723513 | 0510 | |
| 5 | Cord relief | 452440300 | 0510 | |
| 6 | Protection screen PTC | 452440290 | 0510 | |

RF 210 RH/LH 60Hz

| | | | | |
|---|-----------------------|-----------|------|--|
| 1 | Compressor NL7.3MF | 500550532 | 0510 | |
| 2 | Starting device | 453050151 | 0510 | |
| 3 | Cover | 452440293 | 0510 | |
| 5 | Cord relief | 452440300 | 0510 | |
| 6 | Protection screen PTC | 452440290 | 0510 | |

Common parts:

| | | | | |
|----|--|-----------|------|------|
| 7 | Rubber bush | 760080519 | 0510 | |
| 8 | Re-evaporation tray | 410820001 | 0510 | |
| 9 | Filter drier | 761220141 | 0510 | 1810 |
| 9 | Filter drier | 761221322 | 1810 | |
| 10 | Compressor clip | 760082367 | 0510 | |
| 11 | Evaporator | 765080205 | 0510 | |
| 12 | Heat exchanger | 761221412 | 0510 | |
| 13 | Evaporator fan 12V DC | 765071196 | 0510 | |
| 14 | Trafo for fan (kit) | 761234127 | 0510 | 1521 |
| 14 | Trafo for fan | 765072987 | 1521 | |
| 15 | Defrost heater | 765071197 | 0510 | |
| 16 | Drip tray heater incl wire/thermal limiter | 761234144 | 0510 | |
| 18 | Door switch | 450400111 | 0510 | |
| 19 | Electr.contr., power part F5+, IIRF | 761256134 | 0510 | 4114 |
| 19 | Electr.contr., power part F51, IIRF | 761256162 | 4114 | |
| 19 | Electr.contr., power part F6+, RF | 761256153 | 0510 | 4114 |
| 19 | Electr.contr., power part F61, RF | 761256163 | 4114 | |
| 20 | Electronic controller, display part | 612900056 | 0510 | |

Technical information

765041346

Description :

**Spare parts list for
BioCompact / BioCompact II RF 210**

| Compiled. | | Latest revision. | | | Deleted. | |
|-----------|------|------------------|------|--------|----------|------|
| Date | Name | Date | Name | Rev.no | Date | Name |
| 12.02.10 | JP | 26.07.23 | JOLU | 031 | | |

| Item no. | Description | Gram part no. | Week/year Issued | Deleted |
|----------|------------------------------|---------------|---------------------|---------|
| 21 | Band cable | 765072661 | 0510 | |
| 22 | Capacitor for condenser fan | 765072790 | 5113 | |
| 30 | Room sensor | 453531501 | 0510 | |
| 31 | Evaporator sensor | 453531501 | 0510 | |
| 32 | Condenser sensor | 453531504 | 0510 | |
| 33 | E-sensor, IIRF | 453531504 | 0510 | |
| 35 | Door gasket | 761222727 | 0510 | |
| 36 | Top hinge | 761222906 | 0510 | |
| 36 | Top hinge, self-close, right | 761222806 | 4314 | |
| 36 | Top hinge, self-close, left | 761222808 | 4314 | |
| 37 | Bottom hinge | 761222904 | 0510 | |
| 37 | Bottom hinge, self-close | 761222805 | 4314 | |

Technical information

765041346

Description :

Spare parts list for
BioCompact / BioCompact II RF 210

| Compiled. | | Latest revision. | | | Deleted. | |
|-----------|------|------------------|------|--------|----------|------|
| Date | Name | Date | Name | Rev.no | Date | Name |
| 12.02.10 | JP | 26.07.23 | JOLU | 031 | | |

| Item no. | Description | Gram part no. | Week/year Issued | Deleted |
|----------|-------------|---------------|---------------------|---------|
|----------|-------------|---------------|---------------------|---------|

Other spare parts

| | | | | |
|----|-------------------------------|-----------|------|------|
| 50 | Drain pipe | 761221755 | 0510 | |
| 51 | Water trap | 760082891 | 0510 | |
| 52 | Drip tray, grey | 761223099 | 0510 | |
| 52 | Drip tray, white | 761223098 | 0510 | |
| 53 | Screw for fan | 420181501 | 0510 | 0811 |
| 53 | Screw for fan | 420790001 | 0811 | |
| 54 | Condenser | 761223010 | 0510 | |
| 55 | Re-evaporation pipework | 760000323 | 0510 | |
| 56 | Evaporator suspension bracket | 761223070 | 0510 | |
| 57 | Air distribution plate, alu | 761230354 | 0510 | |
| 58 | Suspension plug, grey | 765081214 | 0510 | |
| 59 | Label for controller, IIRF | 765041752 | 0510 | |
| 59 | Label for controller, RF | 765041754 | 0510 | |
| 60 | Door lock | 765080093 | 0510 | |
| 61 | Key | 761220166 | 0510 | |
| 62 | Appliance inlet | 451022002 | 0510 | |
| 63 | Tabletop upper part, grey | 761222631 | 0510 | |
| 63 | Tabletop upper part, white | 761222630 | 0510 | |
| 64 | Tabletop front, grey IIRF | 761230454 | 0510 | |
| 64 | Tabletop front, grey RF | 761234120 | 0510 | |
| 64 | Tabletop front, white IIRF | 761230455 | 0510 | |
| 64 | Tabletop front, white RF | 761234121 | 0510 | |
| 65 | Lock bracket | 761222761 | 0510 | |
| 66 | Air relief valve | 765081206 | 0510 | |
| 67 | Screw for hinge | 420090100 | 0510 | |
| 68 | Wheel bracket complete | 761223051 | 0510 | |
| 71 | Adjustment screw | 761223055 | 0510 | |
| 72 | Washer | 760250524 | 0510 | |
| 73 | Mains cable, EU | 765072630 | 0510 | |
| 73 | Mains cable, UK | 765072631 | 0510 | |
| 73 | Mains cable, DK | 765072632 | 0510 | |
| 74 | Leg H=100-130 mm | 765080118 | 0510 | |
| 75 | Castor w/brake H=125 mm | 480260050 | 0510 | |
| 76 | Castor | 480270520 | 0510 | |
| 77 | Screw M8x16 | 422715065 | 0510 | |
| 78 | Bracket for evaporator heater | 761222779 | 0510 | |
| 79 | Condenser fan unit complete | 761221780 | 0510 | |

Technical information

765041346

Description :

**Spare parts list for
BioCompact / BioCompact II RF 210**

| Compiled. | | Latest revision. | | | Deleted. | |
|-----------|------|------------------|------|--------|----------|------|
| Date | Name | Date | Name | Rev.no | Date | Name |
| 12.02.10 | JP | 26.07.23 | JOLU | 031 | | |

| Item no. | Description | Gram part no. | Week/year Issued | Deleted |
|----------|---|---------------|---------------------|---------|
| 80 | Screw M4x70 | 420178125 | 0510 | |
| 81 | Screw M4x16 | 422701019 | 0510 | |
| 82 | Fan wire | 765072656 | 0510 | |
| 83 | Heater wire incl thermal limiter | 765073327 | 0510 | |
| 84 | Insulation plug | 765080563 | 0510 | |
| 85 | Plastic cap | 501020023 | 0510 | |
| 86 | Liquid container | 765080384 | 0510 | |
| 87 | Bracket f. liquid container | 761256451 | 0510 | |
| 88 | Cap for programming cable | 765080566 | 0510 | |
| 89 | Cover plug, white | 765081247 | 0510 | |
| 89 | Cover plug, grey | 765081248 | 0510 | |
| 90 | Modular connector | 453570037 | 0510 | |
| 91 | Brace for mains cable | 761230215 | 0510 | |
| 92 | Rubber bush | 343812010 | 1110 | 0811 |
| 92 | Rubber gasket | 761223110 | 0811 | |
| 93 | Cover plug, grey | 765080501 | 0510 | |
| 93 | Cover plug, white | 765080504 | 0510 | |
| 94 | Cover bracket | 761222757 | 4410 | 1111 |
| 94 | Cover bracket, white | 761222758 | 1111 | |
| 94 | Cover bracket, grey | 761222759 | 1111 | |
| 100 | Foot pedal complete | 819581052 | 0911 | |
| 101 | Bracket for pedal | 761224006 | 0911 | |
| 102 | Pedal arm | 761224002 | 0911 | |
| 103 | Spindle | 761224007 | 0911 | |
| 104 | Spring | 761224005 | 0911 | |
| 105 | Plastic cap | 581400021 | 0911 | |
| 106 | Bush | 761224008 | 0911 | |
| 150 | Door complete, stainless | 761232751 | 0510 | |
| 150 | Door complete, white | 761232756 | 0510 | |
| 150 | Door compl., stainless, self-close, right | 761232902 | 4314 | |
| 150 | Door compl., stainless, self-close, left | 761232912 | 4314 | |
| 150 | Door compl., white, self-close, right | 761232905 | 4314 | |
| 150 | Door compl., white, self-close, left | 761232915 | 4314 | |
| 151 | Self-close device | 763251779 | 4314 | |
| 152 | Bush | 761220936 | 0510 | |

Technical information

765041346

Description :

**Spare parts list for
BioCompact / BioCompact II RF 210**

| Compiled. | | Latest revision. | | | Deleted. | |
|-----------|------|------------------|------|--------|----------|------|
| Date | Name | Date | Name | Rev.no | Date | Name |
| 12.02.10 | JP | 26.07.23 | JOLU | 031 | | |

| Item no. | Description | Gram part no. | Week/year Issued | Deleted |
|----------------------------|-----------------------------|---------------|---------------------|---------|
| <u>Interior equipment:</u> | | | | |
| 200 | Wire shelf large, grey | 818721020 | 0510 | |
| 200 | Wire shelf large, white | 818721001 | 0510 | |
| 200 | Wire shelf large, stainless | 818721006 | 0510 | |
| 201 | Wire shelf small, grey | 818721021 | 0510 | |
| 201 | Wire shelf small, white | 818721019 | 0510 | |
| 201 | Wire shelf small, stainless | 818721007 | 0510 | |
| 202 | Perforated shelf, large | 761230416 | 0510 | |
| 203 | Perforated shelf, small | 761230417 | 0510 | |
| 210 | Alu drawer complete, large | 761230456 | 0510 | |
| 211 | Set of sliding rails | 761230317 | 0510 | |
| 212 | T-profile | 761230442 | 0510 | |
| 213 | Plastic clip | 761230044 | 0510 | |
| 214 | Divider rail | 761230435 | 0510 | |
| 215 | Holder for divider rail | 761230436 | 0510 | |
| 216 | Plastic divider 1 | 761230021 | 0510 | |
| 217 | Plastic divider 2 | 761230022 | 0510 | |
| 218 | Centre screw M6x20 | 420788200 | 0510 | |
| 220 | Alu drawer complete, small | 761230457 | 0510 | |
| 221 | Set of sliding rails | 761230347 | 0510 | |
| 222 | T-profile | 761230447 | 0510 | |
| 223 | Plastic clip | 761230044 | 0510 | |
| 224 | Divider rail | 761230448 | 0510 | |
| 225 | Holder for divider rail | 761230436 | 0510 | |
| 226 | Plastic divider 1 | 761230021 | 0510 | |
| 227 | Plastic divider 2 | 761230022 | 0510 | |
| 228 | Centre screw M6x20 | 420788200 | 0510 | |
| 230 | Wire drawer, large | 761232966 | 0510 | |
| 231 | Wire drawer, small | 761232967 | 0510 | |
| 240 | Wire basket, large | 818721022 | 0510 | |
| 241 | Wire basket, small | 818721029 | 0510 | |
| 250 | Plastic drawer complete | 761230972 | 4312 | |
| 251 | Bracket for drawer, front | 761230957 | 4312 | |
| 252 | Bracket for drawer, back | 761233290 | 4312 | |
| 253 | Set of sliding rails | 761230428 | 4312 | |
| 254 | Plastic divider 1 | 761230021 | 4312 | |
| 255 | Plastic divider 2 | 761230022 | 4312 | |
| 256 | Divider rail | 761230088 | 4312 | |