

Spare part list:

BioCompact II 210

Item number: 765042574 Rev. 001

Release date: 10-11-2022

Released by: Jan B. Poulsen

Approved by: John B. S. Petersen

Gram Scientific ApS
Aage Grams Vej
6500 Vojens, Danmark
Tel: +45 73 20 13 00
Fax: +45 73 20 12 01
www.gram-bioline.com



Biostorage you can depend on

Content

| | |
|---|----|
| Content..... | 2 |
| Introduction and important notes..... | 3 |
| Introduction to BioCompact II..... | 3 |
| Important note concerning understanding spare list..... | 3 |
| Overall drawing of BioCompact II 210..... | 4 |
| Sensors and sensor positioning..... | 4 |
| Front and back view of BioCompact II 210 cabinet..... | 5 |
| Cooling parts and refrigeration diagram..... | 6 |
| BioCompact II RR..... | 6 |
| BioCompact II RR*..... | 7 |
| BioCompact II RF..... | 8 |
| BioCompact II – other common parts..... | 9 |
| Electrical parts..... | 10 |
| Controllers and tabletop..... | 10 |
| Mechanical parts..... | 12 |
| Cabinet..... | 12 |
| Solid door – RR/RF..... | 14 |
| Glass door – RR*..... | 15 |
| Accessories..... | 16 |
| Wire shelves..... | 16 |
| Perforated shelves..... | 16 |
| Wire baskets..... | 17 |
| Alu drawers..... | 17 |
| Plastic drawers..... | 18 |
| Reference container..... | 18 |
| Set of castors..... | 19 |
| Set of legs..... | 19 |
| Stacking kit with legs..... | 19 |
| Stacking kit with castors..... | 20 |
| Wall mounting kit..... | 20 |
| Anti-tilt kit..... | 21 |
| DIN kit 58345..... | 21 |
| Power failure detector (Stromausfall-Melder)..... | 21 |
| Chart recorder kit..... | 22 |
| Chart recorder parts..... | 22 |
| Log book..... | 23 |
| Notes..... | 24 |

Introduction and important notes

Introduction to BioCompact II

This spare part document is intended for the **BioCompact II 210** product series.

This is a compact refrigerator or freezer cabinet for a wide range of biostorage purposes where the prime focus is on dependability. The BioCompact II provides you with significantly better performance than any other cabinets in this segment for storing ordinary biomaterial under stable conditions.

If you need to store different biomaterials at different times, this design gives you lots of ways to deal with individual storage needs, thanks to the versatile interior layout and a comprehensive selection of fixtures and fittings. The small footprint of this design also makes it the perfect biostorage unit for use in confined spaces.

The BioCompact II range comes in sizes between 125 litres and 600 litres, as regular refrigerator with massive or with glass door +2 °C / +20 °C, or as regular freezer -25 °C / -5 °C.

Important note concerning understanding spare list

Please note that when ordering a spare part, the item number only applies to ordering one single spare part!

For this reason, there is a column in the tables with name “**Orig. used [pcs]**” that shows the amount of the spare parts that is originally used on the product. Perhaps when ordering new legs, the item number only applies to one single piece, but the column informs that 4 pieces have been used. In columns with “**Introduced**” and “**Terminated**”, a six-digit number is given, which means product release year and week (YYYY-WW).

| Item no. | Description | Orig. used (pcs) | Gram part no. | Introduced | Terminated |
|----------|---------------------------------|------------------|---------------|------------|------------|
| 117 | Fan motor gasket | 1 | 761223110 | 2022-02 | |
| 118 | Screw for fan motor (polyamide) | 2 | 420790001 | 2022-02 | |
| 119 | Leg H=100-130 mm | 4 | 765080118 | 2022-02 | |
| 119 | Leg H=134-200 mm | 4 | 765080115 | 2022-02 | |
| 119 | Leg H=180-250 mm | 4 | 765080116 | 2022-02 | |
| 120 | Fixed castor ø80/H=110 mm | 2 | 480270521 | 2022-02 | |
| 120 | Fixed castor ø100/H=128 mm | 2 | 480270520 | 2022-02 | |
| 121 | Swivel castor ø80/H=110 mm | 2 | 480270522 | 2022-02 | |

NOTE: In this document is used abbreviations or abbreviated type designations like **RR, RR* and RF**.

BioCompact II comes as a refrigerator with a solid door or with a glass door. The freezer always has a solid door. When looking for the right spare parts, some parts are common to all and the abbreviations are not shown. But if the spare parts are specifically used for perhaps freezers, or perhaps specifically used for refrigerators with glass doors, the abbreviations will be used to help ordering the right part.

The type designated abbreviations are:

RR indicates BioCompact II RR210 refrigerator with massive door

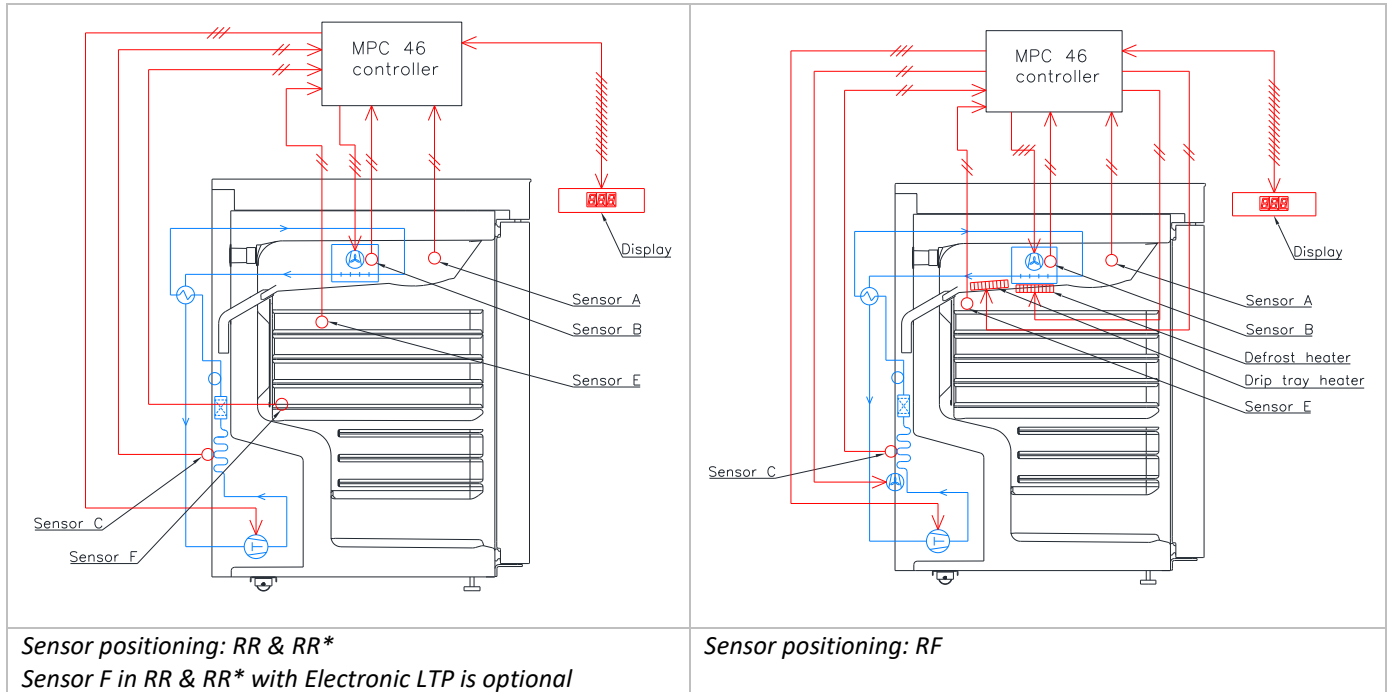
RR* indicates BioCompact II RR210 refrigerator with glass door

RF indicates BioCompact II RF210 freezer with massive door

| | | | | | |
|---------------------|----------------|---------------------|----------------|---------------|-------------|
| | | 765042574 | | | Page (of): |
| Gram Scientific ApS | | | | | 3 of (24) |
| Status: | Processed by: | Approved by: | Approval date: | Document no.: | Rev.: |
| Released ver. | Jan B. Poulsen | John B. S. Petersen | 10-11-2022 | | 001 |

Overall drawing of BioCompact II 210

Sectional drawing of BioCompact II RR/RR*/RF cabinet with Electrical and Piping system represented.



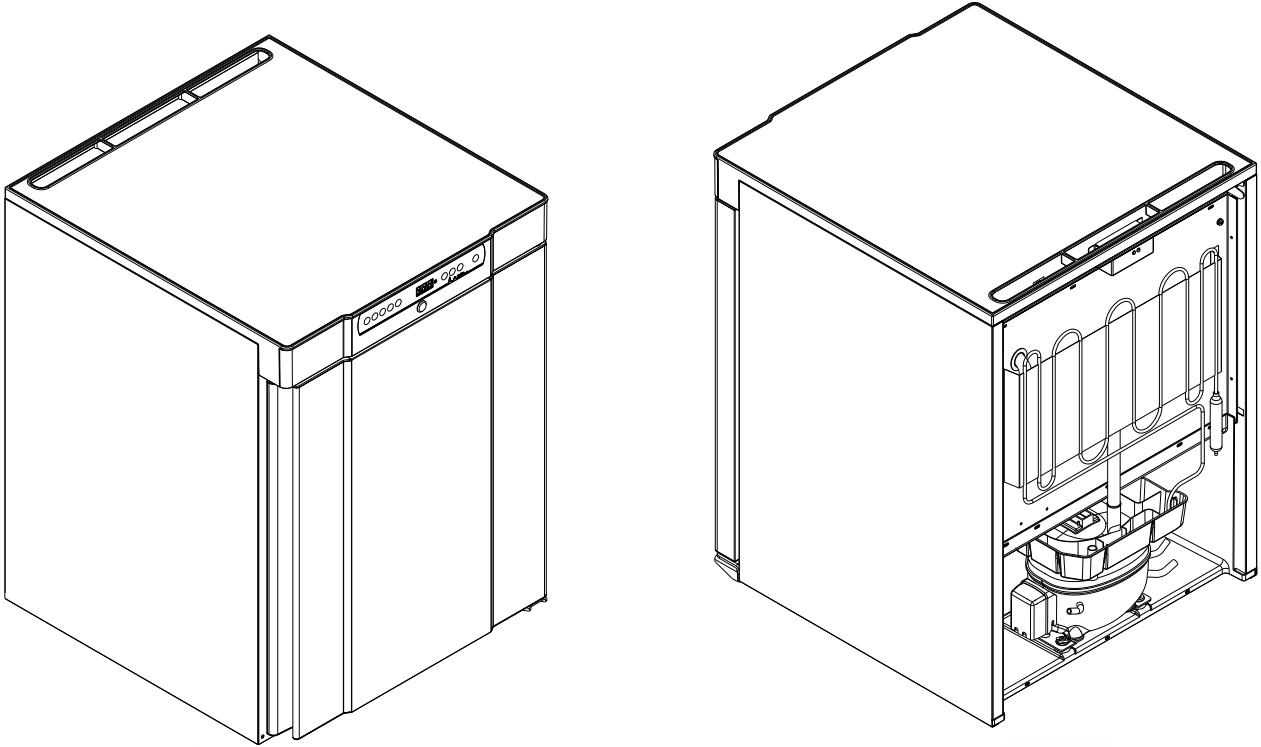
Sensors and sensor positioning

| Item no. | Description | Orig. used (pcs) | Gram part no. | Introduced | Terminated |
|----------|--|------------------|---------------|------------|------------|
| A | Room sensor (2500 mm) | 1 | 453531504 | 2022-02 | |
| B | Defrost sensor (1500 mm) | 1 | 453531501 | 2022-02 | |
| C | Condenser sensor (1000 mm) | 1 | 453531500 | 2022-02 | |
| E | Reference sensor (2500 mm) | 1 | 453531504 | 2022-02 | |
| F | Electronic LTP sensor (Optional 1040 mm) | 1 | 453531539 | 2022-02 | |

Note: For A-, E-, F-sensor, see section for Mechanical parts. For B- and C-sensor see section for Refrigeration parts.

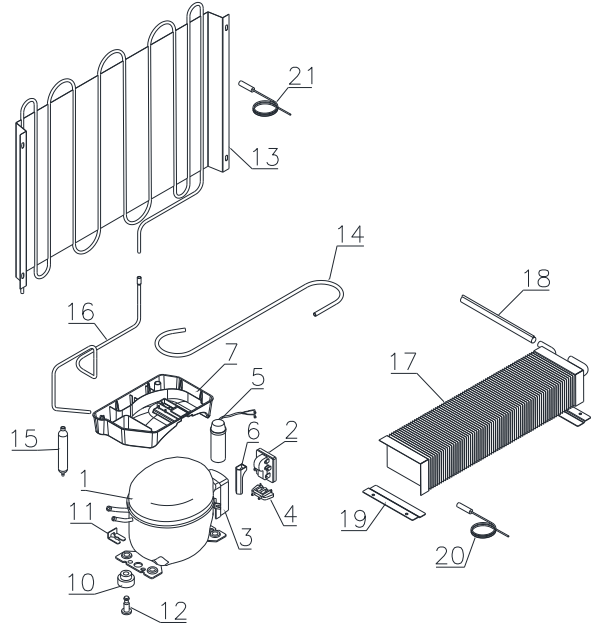
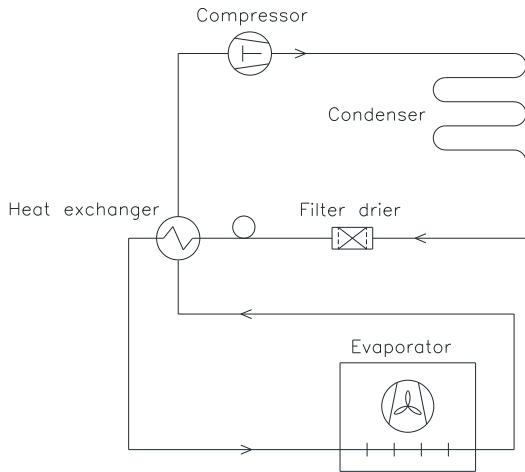
Front and back view of BioCompact II 210 cabinet

Front of cabinet (left) seen from left upper corner and down. Back of cabinet (right) seen from right upper corner and down.



Cooling parts and refrigeration diagram

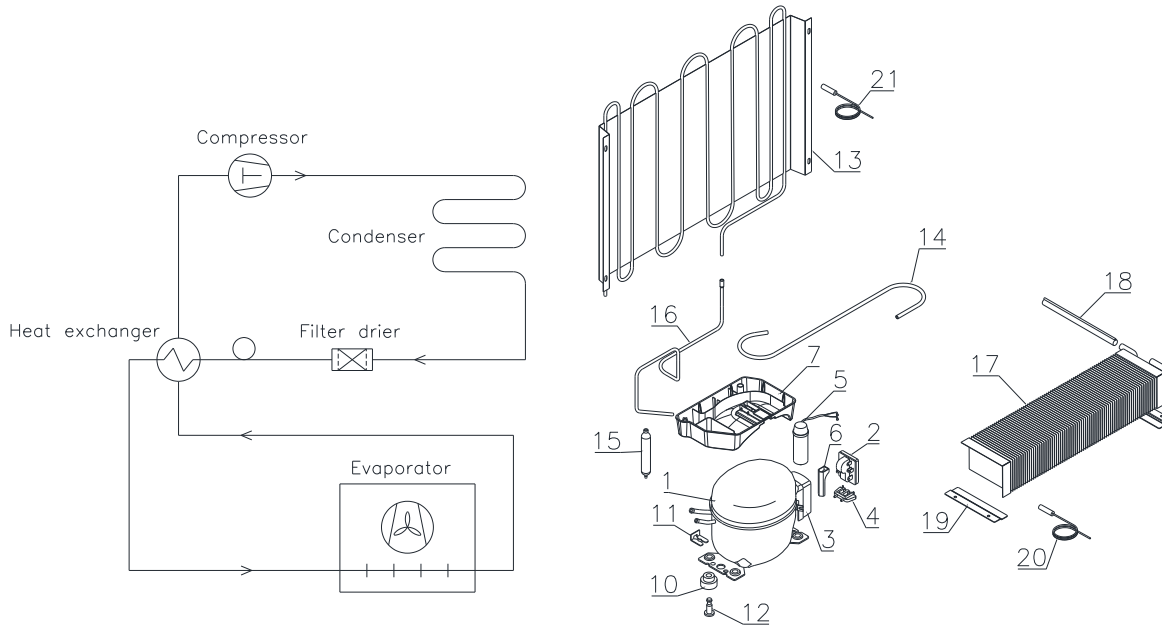
BioCompact II RR



| Item no. | Description HC (R600a) | Orig. used (pcs) | Gram part no. | Introduced | Terminated |
|----------|------------------------|------------------|---------------|------------|------------|
| 1 | Compressor TLES5KTK | 1 | 500550090 | 2022-02 | |
| 2 | Starting device | 1 | 453050178 | 2022-02 | |
| 3 | Cover | 1 | 452440293 | 2022-02 | |
| 4 | Cord relief | 1 | 452440300 | 2022-02 | |
| 5 | Run capacitor 4 µF | 1 | 451723513 | 2022-02 | |
| 6 | PTC cover | 1 | 452440290 | 2022-02 | |
| 7 | Re-evaporation tray | 1 | 410820001 | 2022-02 | |

| Item no. | Description HFC 50 Hz (R134a) | Orig. used (pcs) | Gram part no. | Introduced | Terminated |
|----------|-------------------------------|------------------|---------------|------------|------------|
| 1 | Compressor TLES3F | 1 | 500550012 | 2022-02 | |
| 2 | PTC Starting device | 1 | 453050178 | 2022-02 | |
| 3 | Cover | 1 | 452440293 | 2022-02 | |
| 4 | Cord relief | 1 | 452440300 | 2022-02 | |
| 5 | Run capacitor 4 µF | 1 | 451723513 | 2022-02 | |
| 6 | PTC cover | 1 | 452440290 | 2022-02 | |
| 7 | Re-evaporation tray | 1 | 410820001 | 2022-02 | |

| Item no. | Description HFC 60 Hz (R134a) | Orig. used (pcs) | Gram part no. | Introduced | Terminated |
|----------|-------------------------------|------------------|---------------|------------|------------|
| 1 | Compressor TL3G | 1 | 500550006 | 2022-02 | |
| 2 | PTC Starting device | 1 | 453050151 | 2022-02 | |
| 3 | Cover | 1 | 452440293 | 2022-02 | |
| 4 | Cord relief | 1 | 452440300 | 2022-02 | |
| 6 | PTC cover | 1 | 452440290 | 2022-02 | |
| 7 | Re-evaporation tray | 1 | 410820001 | 2022-02 | |



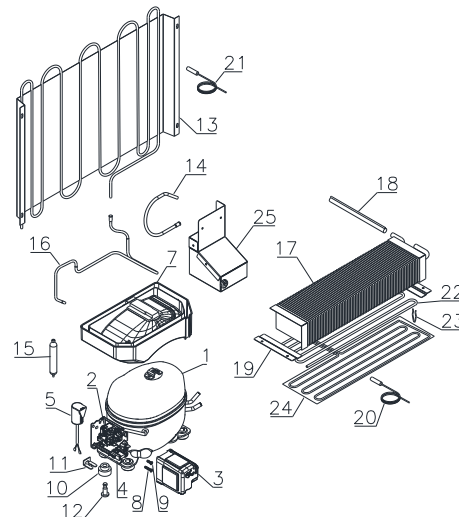
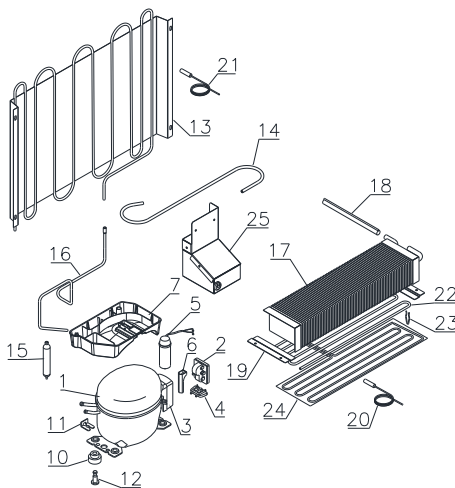
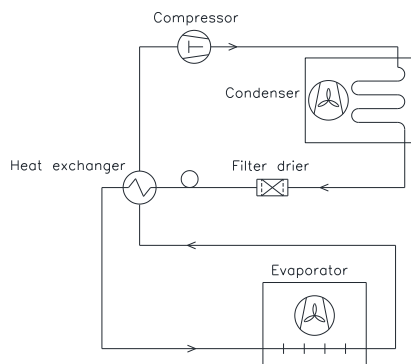
| Item no. | Description HC (R600a) | Orig. used (pcs) | Gram part no. | Introduced | Terminated |
|----------|------------------------|------------------|---------------|------------|------------|
| 1 | Compressor TLES5KTK | 1 | 500550090 | 2022-02 | |
| 2 | Starting device | 1 | 453050178 | 2022-02 | |
| 3 | Cover | 1 | 452440293 | 2022-02 | |
| 4 | Cord relief | 1 | 452440300 | 2022-02 | |
| 5 | Run capacitor 4 µF | 1 | 451723513 | 2022-02 | |
| 6 | PTC cover | 1 | 452440290 | 2022-02 | |
| 7 | Re-evaporation tray | 1 | 410820001 | 2022-02 | |

| Item no. | Description HFC 50 Hz (R134a) | Orig. used (pcs) | Gram part no. | Introduced | Terminated |
|----------|-------------------------------|------------------|---------------|------------|------------|
| 1 | Compressor TL5G | 1 | 500521100 | 2022-02 | |
| 2 | PTC Starting device | 1 | 453050151 | 2022-02 | |
| 3 | Cover | 1 | 452440293 | 2022-02 | |
| 4 | Cord relief | 1 | 452440300 | 2022-02 | |
| 6 | PTC cover | 1 | 452440290 | 2022-02 | |
| 7 | Re-evaporation tray | 1 | 410820001 | 2022-02 | |

| Item no. | Description HFC 60 Hz (R134a) | Orig. used (pcs) | Gram part no. | Introduced | Terminated |
|----------|-------------------------------|------------------|---------------|------------|------------|
| 1 | Compressor TL5G | 1 | 500521100 | 2022-02 | |
| 2 | PTC Starting device | 1 | 453050151 | 2022-02 | |
| 3 | Cover | 1 | 452440293 | 2022-02 | |
| 4 | Cord relief | 1 | 452440300 | 2022-02 | |
| 6 | PTC cover | 1 | 452440290 | 2022-02 | |
| 7 | Re-evaporation tray | 1 | 410820001 | 2022-02 | |

RF 210 HC: 2022-02 → 2022-39
 RF 210 HFC: 2022-02 →

RF 210 HC: 2022-40 →



| Item no. | Description HC (R600a) | Orig. used (pcs) | Gram part no. | Introduced | Terminated |
|----------|------------------------|------------------|---------------|------------|------------|
| 1 | Compressor TLY10.KK.3 | 1 | 500550091 | 2022-02 | 2022-39 |
| 2 | Starting device | 1 | 453050178 | 2022-02 | 2022-39 |
| 3 | Cover | 1 | 452440293 | 2022-02 | 2022-39 |
| 4 | Cord relief | 1 | 452440297 | 2022-02 | 2022-39 |
| 5 | Run capacitor 4 µF | 1 | 451723513 | 2022-02 | 2022-39 |
| 6 | PTC cover | 1 | 452440290 | 2022-02 | 2022-39 |
| 7 | Re-evaporation tray | 1 | 410820001 | 2022-02 | 2022-39 |

| Item no. | Description HC (R600a) | Orig. used (pcs) | Gram part no. | Introduced | Terminated |
|----------|------------------------------------|------------------|---------------|------------|------------|
| 1 | Compressor HXK95AT | 1 | 506000012 | 2022-40 | |
| 2 | Starting device | 1 | 453050184 | 2022-40 | |
| 3 | Cover | 1 | 452440307 | 2022-40 | |
| 4 | Cord relief | 1 | 452440306 | 2022-40 | |
| 5 | Run capacitor 4 µF | 1 | 451723523 | 2022-40 | |
| 7 | Re-evaporation tray – RF (HXK95AT) | 1 | 410820018 | 2022-40 | |
| 8 | Screw 3.9 L9.5 | 1 | 452440308 | 2022-40 | |
| 9 | Screw 3.9 L19 | 1 | 452440309 | 2022-40 | |

| Item no. | Description HFC 50 Hz (R134a) | Orig. used (pcs) | Gram part no. | Introduced | Terminated |
|----------|-------------------------------|------------------|---------------|------------|------------|
| 1 | Compressor TLES5,7.FT.3 | 1 | 500550094 | 2022-02 | |
| 2 | PTC Starting device | 1 | 453050178 | 2022-02 | |
| 3 | Cover | 1 | 452440293 | 2022-02 | |
| 4 | Cord relief | 1 | 452440297 | 2022-02 | |
| 5 | Run capacitor 4 µF | 1 | 451723513 | 2022-02 | |
| 6 | PTC cover | 1 | 452440290 | 2022-02 | |
| 7 | Re-evaporation tray | 1 | 410820001 | 2022-02 | |

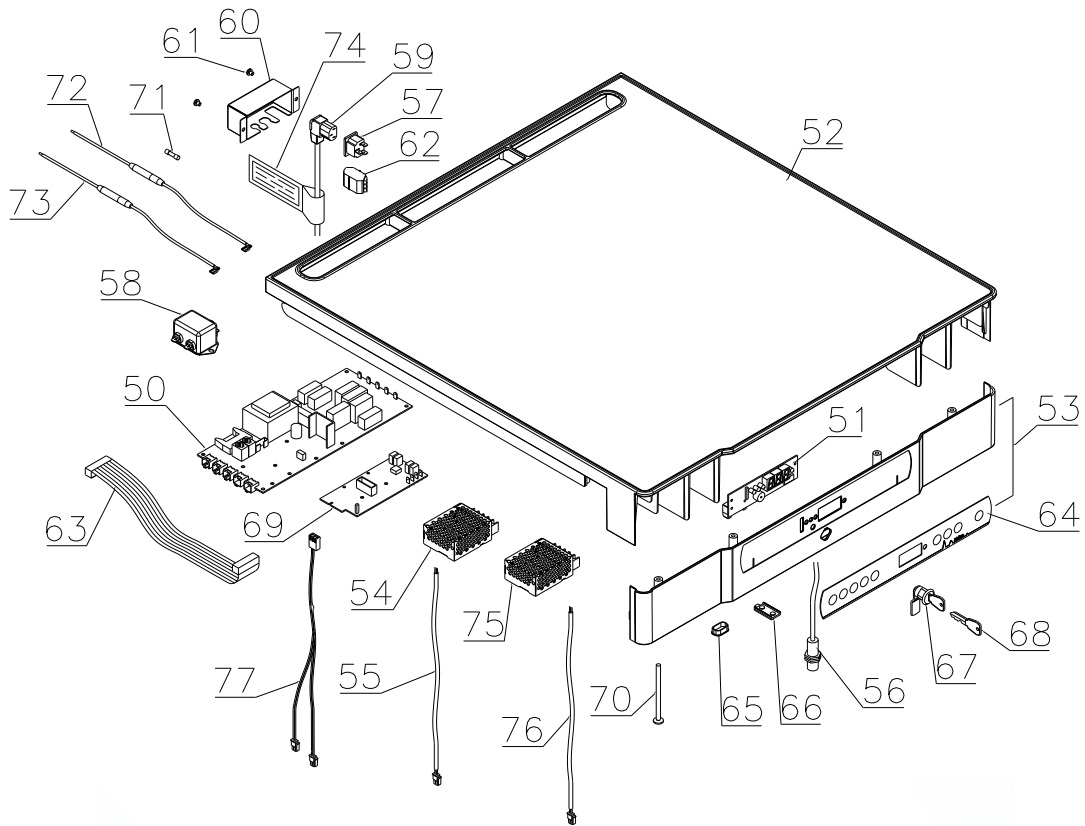
| Item no. | Description HFC 60 Hz (R134a) | Orig. used (pcs) | Gram part no. | Introduced | Terminated |
|----------|-------------------------------|------------------|---------------|------------|------------|
| 1 | Compressor NL7.3MF | 1 | 500550532 | 2022-02 | |
| 2 | PTC Starting device | 1 | 453050151 | 2022-02 | |
| 3 | Cover | 1 | 452440294 | 2022-02 | |
| 4 | Cord relief | 1 | 452440300 | 2022-02 | |
| 6 | PTC cover | 1 | 452440290 | 2022-02 | |
| 7 | Re-evaporation tray | 1 | 410820001 | 2022-02 | |

BioCompact II – other common parts

| Item no. | Description | Orig. used (pcs) | Gram part no. | Introduced | Terminated |
|----------|--|------------------|---------------|------------|------------|
| 10 | Rubber bush | 4 | 760080519 | 2022-02 | |
| 11 | Compressor clip | 2 | 760082367 | 2022-02 | |
| 12 | Compressor screw | 2 | 760082711 | 2022-02 | |
| 13 | Condenser | 1 | 761223010 | 2022-02 | 2022-39 |
| 13 | Condenser | 1 | 761223014 | 2022-40 | |
| 14 | Suction tube Ø6 – RR/RR*/RF | 1 | 760000317 | 2022-02 | 2022-39 |
| 14 | Suction tube Ø6 – RR/RR* | 1 | 760000317 | 2022-02 | |
| 14 | Suction tube Ø6 x 0,62 – RF (HXK95AT) | 1 | 760000464 | 2022-40 | |
| 15 | Filter drier 7,5 gr. Ø2,1/5,1 mm – RR/RR* | 1 | 761221321 | 2022-02 | |
| 15 | Filter drier 15 gr. Ø2,1/5,1 mm – RF | 1 | 761221322 | 2022-02 | |
| 16 | Hot gas re-evaporation pipe – RF | 1 | 760000323 | 2022-02 | 2022-39 |
| 16 | Hot gas re-evaporation pipe – RR/RR* | 1 | 760000323 | 2022-02 | |
| 16 | Hot gas re-evaporation pipe – RF (HXK95AT) | 1 | 760000462 | 2022-40 | |
| 17 | Evaporator – RR | 1 | 765080411 | 2022-02 | |
| 17 | Evaporator – RR*/RF | 1 | 765080412 | 2022-02 | |
| 18 | Heat exchanger – RR | 1 | 761221410 | 2022-02 | |
| 18 | Heat exchanger – RR* | 1 | 761221411 | 2022-02 | |
| 18 | Heat exchanger – RF | 1 | 761221412 | 2022-02 | 2022-39 |
| 18 | Heat exchanger – RF (HXK95AT) | 1 | 762231401 | 2022-40 | |
| 19 | Evaporator suspension bracket | 2 | 761223070 | 2022-02 | |
| 20 | Defrost sensor (B-sensor, 1500 mm) | 1 | 453531501 | 2022-02 | |
| 21 | Condenser sensor (C-sensor, 1000 mm) | 1 | 453531500 | 2022-02 | |
| 22 | Defrost heater – RF | 1 | 765072163 | 2022-02 | |
| 23 | Clip for heater – RF | 8 | 761222779 | 2022-02 | |
| 24 | Drip tray heater – RF | 1 | 765071199 | 2022-02 | |
| 25 | Condenser fan complete – RF | 1 | 761221780 | 2022-02 | |

Electrical parts

Controllers and tabletop

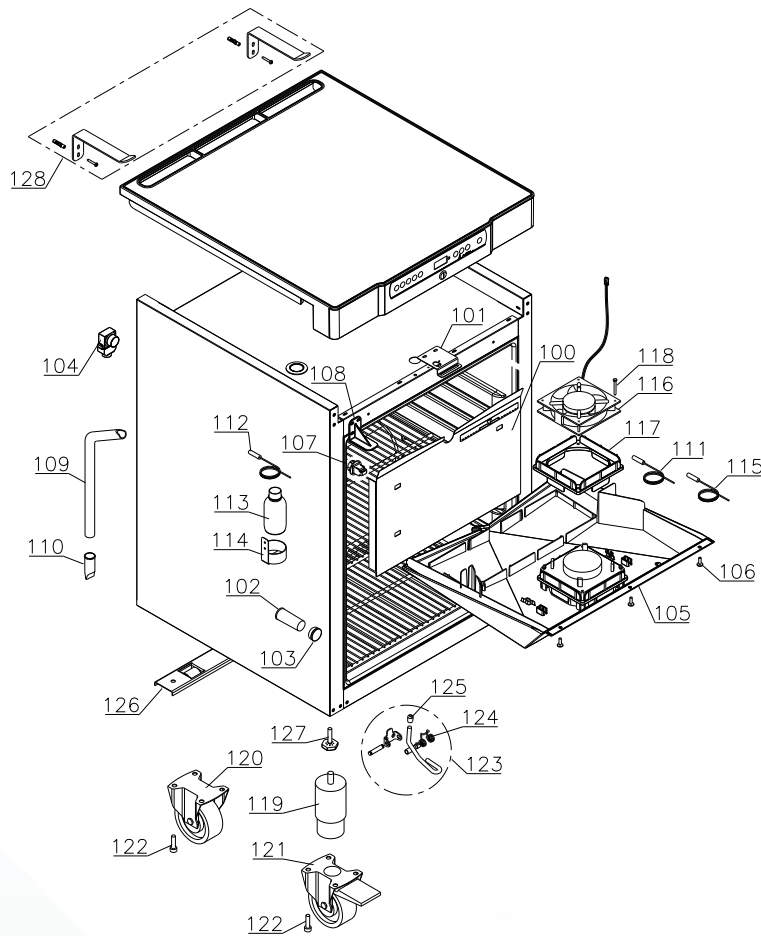


| Item no. | Description | Orig. used (pcs) | Gram part no. | Introduced | Terminated |
|----------|---------------------------------|------------------|---------------|------------|------------|
| 50 | Electronic controller K82 – RR | 1 | 761256168 | 2022-02 | |
| 50 | Electronic controller K92 – RR* | 1 | 761256169 | 2022-02 | |
| 50 | Electronic controller F52 – RF | 1 | 761256170 | 2022-02 | |
| 51 | Display PCB | 1 | 612900059 | 2022-02 | |
| 52 | Table top upper part, grey | 1 | 761234132 | 2022-02 | |
| 52 | Table top upper part, white | 1 | 761234133 | 2022-02 | |
| 53 | Table top front, grey | 1 | 761230454 | 2022-02 | |
| 53 | Table top front, white | 1 | 761230455 | 2022-02 | |
| 54 | Power Supply Unit for fan motor | 1 | 765072987 | 2022-02 | |
| 55 | Fan wire | 1 | 765072656 | 2022-02 | |
| 56 | Door switch | 1 | 450400111 | 2022-02 | |
| 57 | Appliance inlet | 1 | 451022002 | 2022-02 | |
| 58 | EMI/EMC filter | 1 | 451022004 | 2022-02 | |
| 59 | Power cord, EU | 1 | 765072566 | 2022-02 | |
| 59 | Power cord, UK | 1 | 765072567 | 2022-02 | |
| 59 | Power cord, DK | 1 | 765072568 | 2022-02 | |
| 60 | Cover for power connection | 1 | 762232110 | 2022-02 | |
| 61 | Screw M4x10 | 2 | 420340070 | 2022-02 | |
| 62 | Alarm terminal block | 1 | 765070705 | 2022-02 | |

| Item no. | Description | Orig. used (pcs) | Gram part no. | Introduced | Terminated |
|----------|--|------------------|---------------|------------|------------|
| 63 | Ribbon cable (500 mm) | 1 | 765072661 | 2022-02 | |
| 64 | Keypad – 9 buttons – RR/RF | 1 | 765041889 | 2022-02 | |
| 64 | Keypad – 9 buttons – RR* | 1 | 765042520 | 2022-02 | |
| 65 | Cap for programming cable | 1 | 765080566 | 2022-02 | |
| 66 | Cover plug, white | 1 | 765081247 | 2022-02 | |
| 66 | Cover plug, grey | 1 | 765081248 | 2022-02 | |
| 67 | Door lock | 1 | 765080093 | 2022-02 | |
| 68 | Key | 1 | 761220166 | 2022-02 | |
| 69 | Electronic LTP | 1 | 453580515 | 2022-02 | |
| 70 | Screw M4x70 | 4 | 420178125 | 2022-02 | |
| 71 | 10 A Time-delay fuses 5 x 20 mm | 2 | 765070719 | 2022-02 | |
| 72 | Wire incl. time-delay fuse, phase | 1 | 765073355 | 2022-02 | |
| 73 | Wire incl. time-delay fuse, neutral | 1 | 765073356 | 2022-02 | |
| 74 | Hangtag | 1 | 765040288 | 2022-02 | |
| 75 | Power Supply Unit to LED light in glass door – RR* | 1 | 765073350 | 2022-02 | |
| 76 | Wire to LED light in glass door – RR* | 1 | 765072682 | 2022-02 | |
| 77 | Heater wire incl. thermal limiter – RF | 1 | 765073327 | 2022-02 | |

Mechanical parts

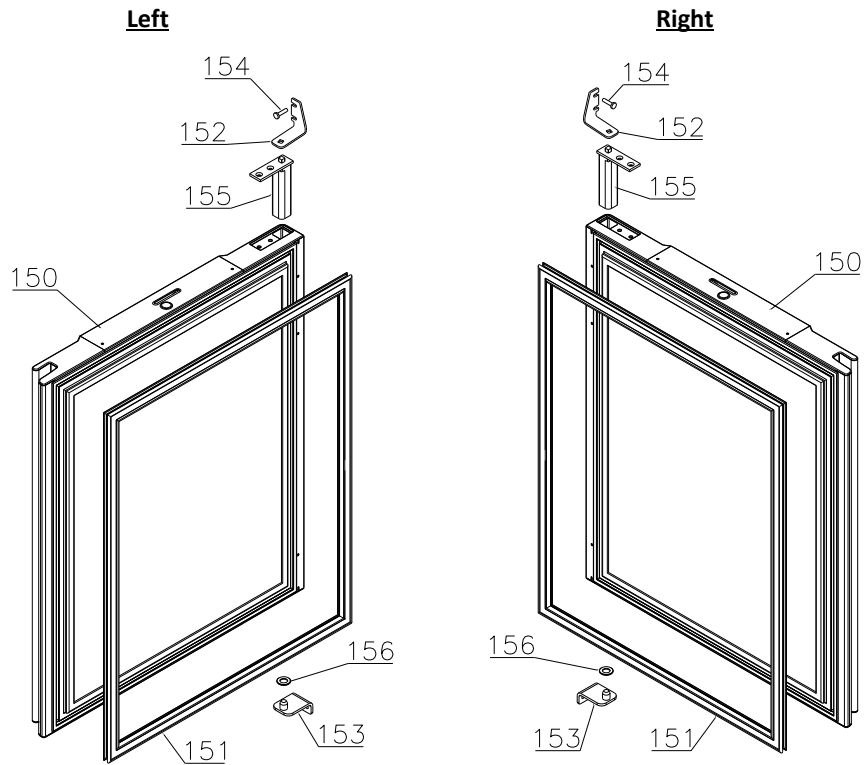
Cabinet



| Item no. | Description | Orig. used (pcs) | Gram part no. | Introduced | Terminated |
|----------|---|------------------|---------------|------------|------------|
| 100 | Air distribution plate | 1 | 761234135 | 2022-02 | |
| 101 | Lock bracket | 1 | 761222761 | 2022-02 | |
| 102 | Insulation plug for access port | 1 | 765080563 | 2022-02 | |
| 103 | Plastic cap | 1 | 501020023 | 2022-02 | |
| 104 | Air relief valve | 1 | 765081206 | 2022-02 | |
| 105 | Drip tray complete incl. fan, gasket and screws | 1 | 762223098 | 2022-02 | |
| 106 | Screw M4x16 | 3 | 422701019 | 2022-02 | |
| 107 | Suspension plug | 4 | 765081213 | 2022-02 | |
| 108 | Cover bracket, grey | 1 | 761222759 | 2022-02 | |
| 108 | Cover bracket, white | 1 | 761222758 | 2022-02 | |
| 109 | Drain pipe | 1 | 761221755 | 2022-02 | |
| 109 | Drain pipe – RF (HXK95AT) | 1 | 762230400 | 2022-40 | |
| 110 | Water trap | 1 | 760082891 | 2022-02 | |

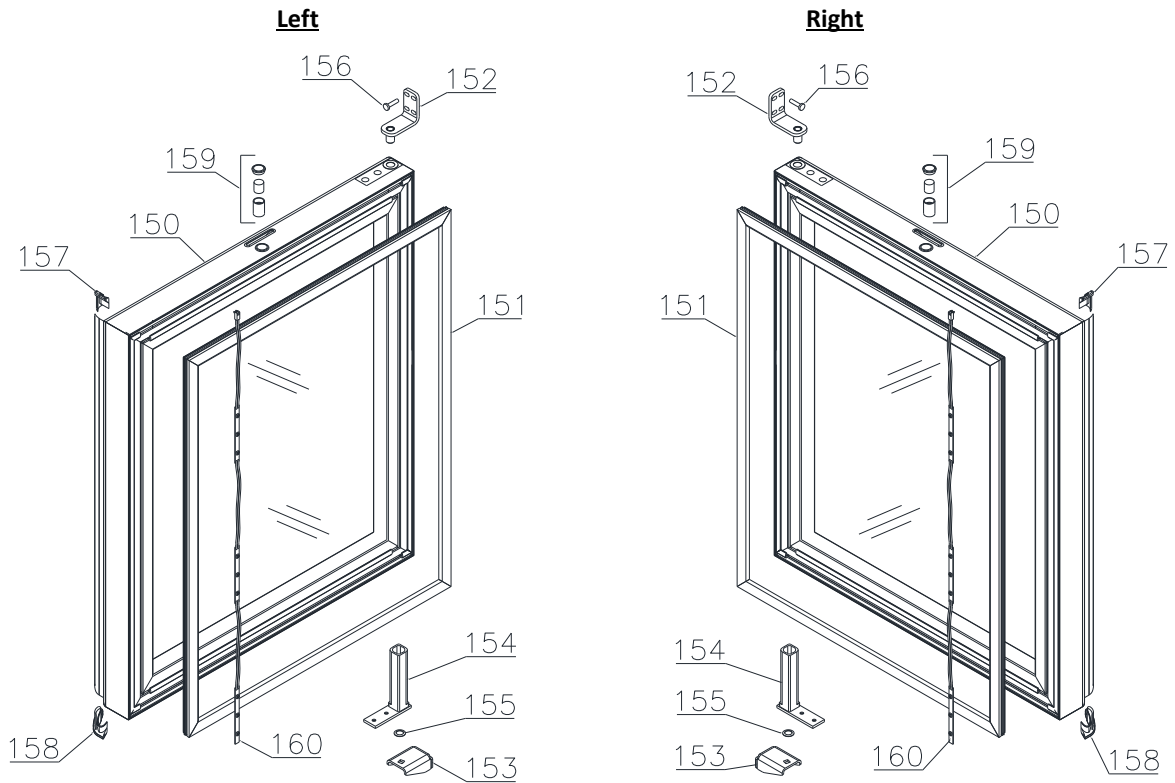
| Item no. | Description | Orig. used (pcs) | Gram part no. | Introduced | Terminated |
|----------|--|------------------|---------------|------------|------------|
| 111 | Room sensor (A-sensor, 2500 mm) | 1 | 453531504 | 2022-02 | |
| 112 | Reference sensor (E-sensor, 2500 mm) | 1 | 453531504 | 2022-02 | |
| 113 | Liquid container | 1 | 765080384 | 2022-02 | |
| 114 | Holder for liquid container | 1 | 761256451 | 2022-02 | |
| 115 | LTP sensor (F-sensor, 1040 mm) | 1 | 453531539 | 2022-02 | |
| 116 | Evaporator fan | 1 | 765071446 | 2022-02 | |
| 117 | Fan motor gasket | 1 | 761223110 | 2022-02 | |
| 118 | Screw for fan motor (polyamide) | 2 | 420790001 | 2022-02 | |
| 119 | Leg H=100-130 mm | 4 | 765080118 | 2022-02 | |
| 119 | Leg H=134-200 mm | 4 | 765080115 | 2022-02 | |
| 119 | Leg H=180-250 mm | 4 | 765080116 | 2022-02 | |
| 120 | Fixed castor \varnothing 80/H=110 mm | 2 | 480270521 | 2022-02 | |
| 120 | Fixed castor \varnothing 100/H=128 mm | 2 | 480270520 | 2022-02 | |
| 121 | Swivel castor \varnothing 80/H=110 mm | 2 | 480270522 | 2022-02 | |
| 121 | Swivel castor \varnothing 100/H=128 mm | 2 | 480260050 | 2022-02 | |
| 122 | Screw M8x12 | 8 (4x2) | 422715000 | 2022-02 | |
| 123 | Foot pedal complete | 1 | 819581052 | 2022-02 | |
| 124 | Spring | 1 | 761224005 | 2022-02 | |
| 125 | Plastic cap | 1 | 581400019 | 2022-02 | |
| 126 | Wheel bracket complete | 1 | 761223051 | 2022-02 | |
| 127 | Adjustable screw leg | 2 | 761223073 | 2022-02 | |
| 128 | Cabinet anti-tilt set | 1 | 819581051 | 2022-02 | |

Solid door – RR/RF



| Item no. | Description | Orig. used (pcs) | Gram part no. | Introduced | Terminated |
|----------|----------------------------------|------------------|---------------|------------|------------|
| 150 | Door complete, stainless - right | 1 | 761232902 | 2022-02 | |
| 150 | Door complete, stainless – left | 1 | 761232912 | 2022-02 | |
| 150 | Door complete, white - right | 1 | 761232905 | 2022-02 | |
| 150 | Door complete, white - left | 1 | 761232915 | 2022-02 | |
| 151 | Gasket | 1 | 761222727 | 2022-02 | |
| 152 | Top hinge, right | 1 | 762222806 | 2022-02 | |
| 152 | Top hinge, left | 1 | 762222808 | 2022-02 | |
| 153 | Bottom hinge | 1 | 762222805 | 2022-02 | |
| 154 | Screw M5x12 | 4 | 420182000 | 2022-02 | |
| 155 | Self-closing device | 1 | 763251779 | 2022-02 | |
| 156 | Washer | 1 | 760250524 | 2022-02 | |

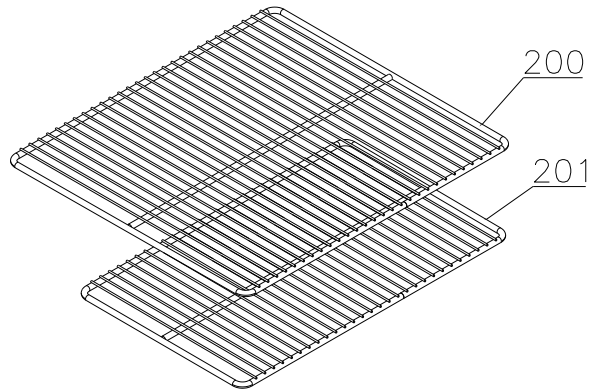
Glass door – RR*



| Item no. | Description | Orig. used (pcs) | Gram part no. | Introduced | Terminated |
|----------|----------------------------|------------------|---------------|------------|------------|
| 150 | Glass door, right | 1 | 761232962 | 2022-02 | |
| 150 | Glass door, left | 1 | 761234116 | 2022-02 | |
| 151 | Gasket | 1 | 761222704 | 2022-02 | |
| 152 | Top hinge | 1 | 761222906 | 2022-02 | |
| 153 | Bottom hinge, right | 1 | 762222829 | 2022-02 | |
| 153 | Bottom hinge, left | 1 | 762222830 | 2022-02 | |
| 154 | Self-closing device | 1 | 763251745 | 2022-02 | |
| 155 | Washer | 1 | 420178003 | 2022-02 | |
| 156 | Screw M5x12 | 4 | 420182000 | 2022-02 | |
| 157 | Top plastic end fitting | 1 | 761222724 | 2022-02 | |
| 158 | Bottom plastic end fitting | 1 | 761222725 | 2022-02 | |
| 159 | Door magnet complete | 1 | 761250786 | 2022-02 | |
| 160 | LED light strip | 1 | 761222706 | 2022-02 | |

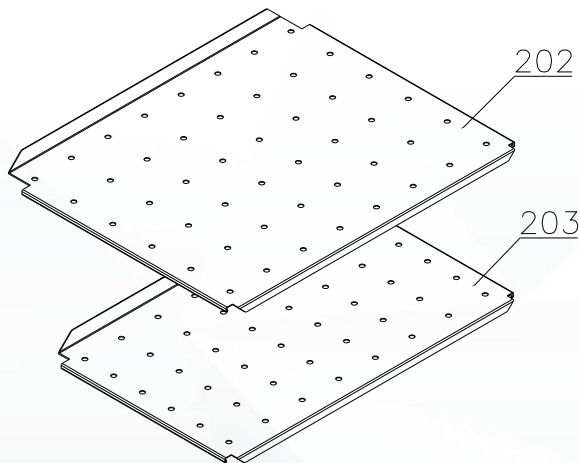
Accessories

Wire shelves



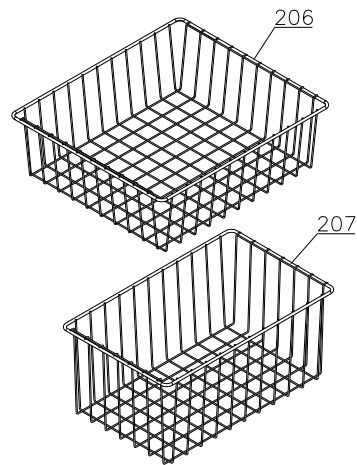
| Item no. | Description | Orig. used (pcs) | Gram part no. | Introduced | Terminated |
|----------|-------------------------------|------------------|---------------|------------|------------|
| 200 | Wire shelf, large – white | - | 818721001 | 2022-02 | |
| 200 | Wire shelf, large – stainless | - | 818721006 | 2022-02 | |
| 201 | Wire shelf, small – white | - | 818721019 | 2022-02 | |
| 201 | Wire shelf, small – stainless | - | 818721007 | 2022-02 | |

Perforated shelves



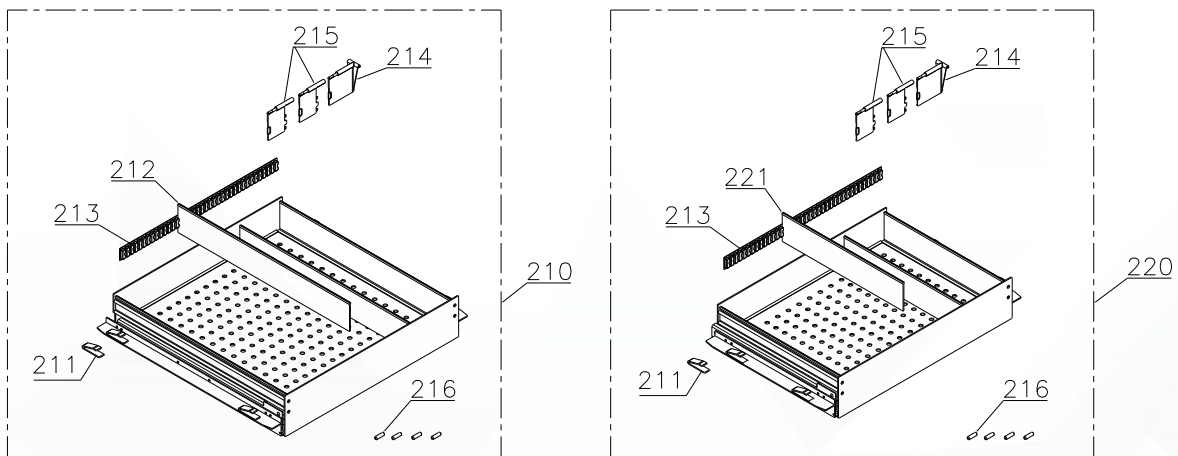
| Item no. | Description | Orig. used (pcs) | Gram part no. | Introduced | Terminated |
|----------|-------------------------|------------------|---------------|------------|------------|
| 202 | Perforated shelf, large | - | 761230416 | 2022-02 | |
| 203 | Perforated shelf, small | - | 761230417 | 2022-02 | |

Wire baskets



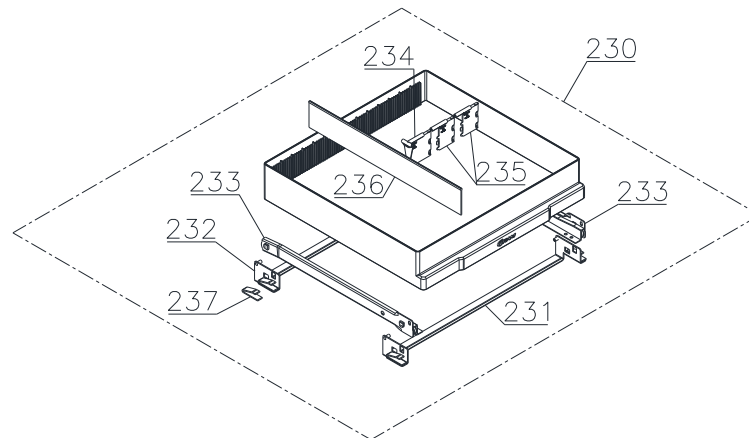
| Item no. | Description | Orig. used (pcs) | Gram part no. | Introduced | Terminated |
|----------|--------------------|------------------|---------------|------------|------------|
| 206 | Wire basket, large | - | 818721022 | 2022-02 | |
| 207 | Wire basket, small | - | 818721029 | 2022-02 | |

Alu drawers



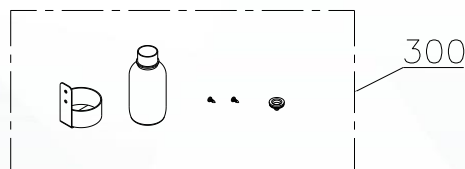
| Item no. | Description | Orig. used (pcs) | Gram part no. | Introduced | Terminated |
|----------|--------------------------------|------------------|---------------|------------|------------|
| 210 | Alu drawer complete, large | 1 | 761230456 | 2022-02 | |
| 211 | Plastic clip | 4 | 761230044 | 2022-02 | |
| 212 | Divider rail | 2 | 761230435 | 2022-02 | |
| 213 | Holder for divider rail | 2 | 761230436 | 2022-02 | |
| 214 | Plastic divider 1 | 15 | 761230021 | 2022-02 | |
| 215 | Plastic divider 2 | 30 | 761230022 | 2022-02 | |
| 216 | Centre screw M6x20 (polyamide) | 4 | 420788200 | 2022-02 | |
| 220 | Alu drawer complete, small | 1 | 761230457 | 2022-02 | |
| 221 | Divider rail | 2 | 761230448 | 2022-02 | |

Plastic drawers



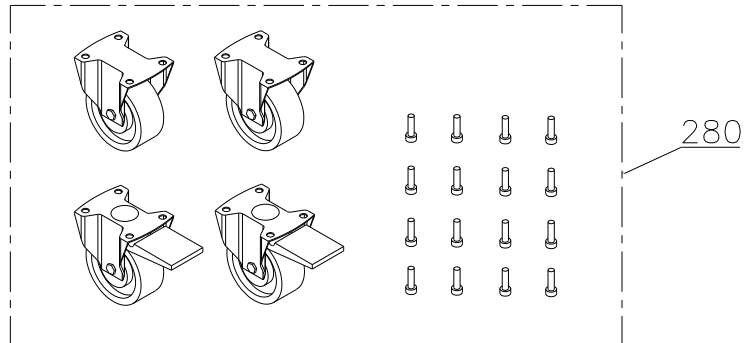
| Item no. | Description | Orig. used (pcs) | Gram part no. | Introduced | Terminated |
|----------|---------------------------|------------------|---------------|------------|------------|
| 230 | Plastic drawer complete | 1 | 761230972 | 2022-02 | |
| 231 | Bracket for drawer, front | 1 | 761230957 | 2022-02 | |
| 232 | Bracket for drawer, back | 1 | 761233290 | 2022-02 | |
| 233 | Set of sliding rails | 1 | 761230428 | 2022-02 | |
| 234 | Plastic divider 1 | 10 | 761230021 | 2022-02 | |
| 235 | Plastic divider 2 | 30 | 761230022 | 2022-02 | |
| 236 | Divider rail | 2 | 761230088 | 2022-02 | |
| 237 | Plastic clip | 4 | 761230044 | 2022-02 | |

Reference container



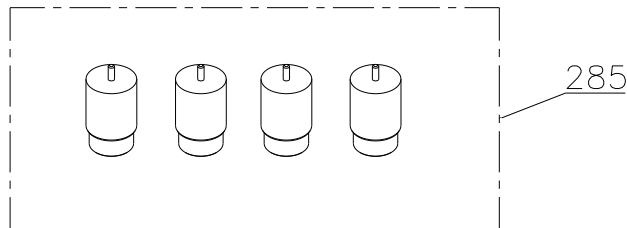
| Item no. | Description | Orig. used (pcs) | Gram part no. | Introduced | Terminated |
|----------|-------------------------|------------------|---------------|------------|------------|
| 300 | Reference container kit | 1 | 761231931 | 2022-02 | |

Set of castors



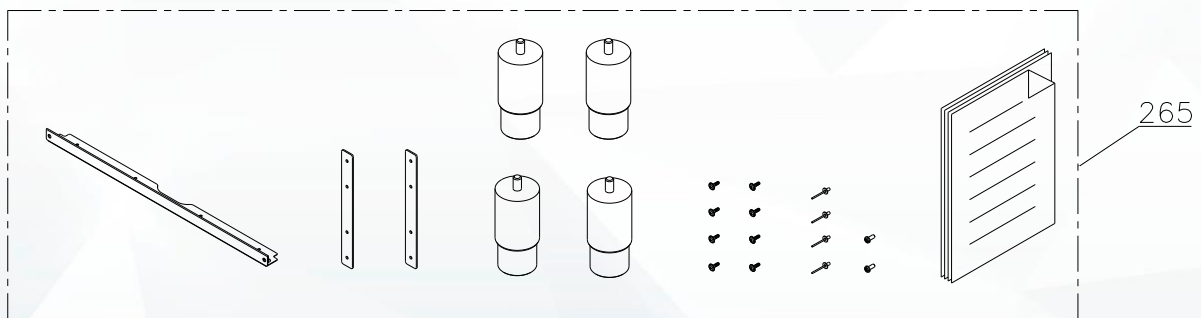
| Item no. | Description | Orig. used (pcs) | Gram part no. | Introduced | Terminated |
|----------|------------------------------|------------------|---------------|------------|------------|
| 280 | Set of castors 125 mm | 1 | 819581004 | 2022-02 | |
| 280 | Set of castors 4x360° 125 mm | 1 | 816851006 | 2022-02 | |

Set of legs



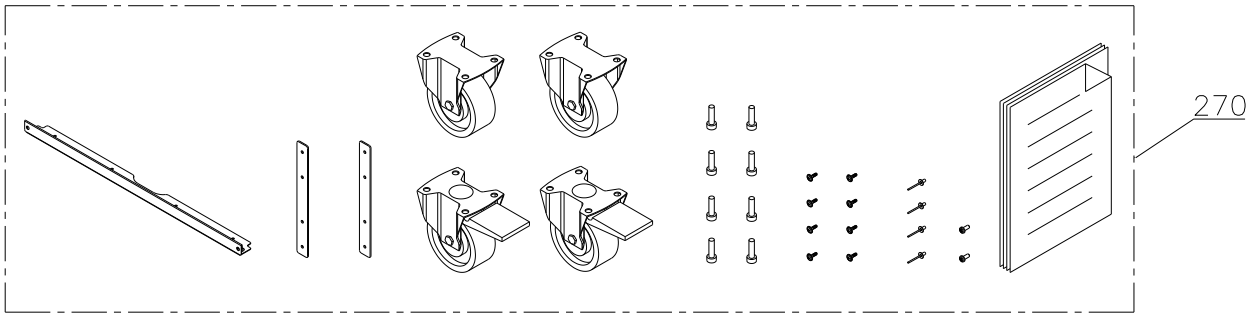
| Item no. | Description | Orig. used (pcs) | Gram part no. | Introduced | Terminated |
|----------|------------------------|------------------|---------------|------------|------------|
| 285 | Set of legs 100-130 mm | 1 | 819581011 | 2022-02 | |

Stacking kit with legs



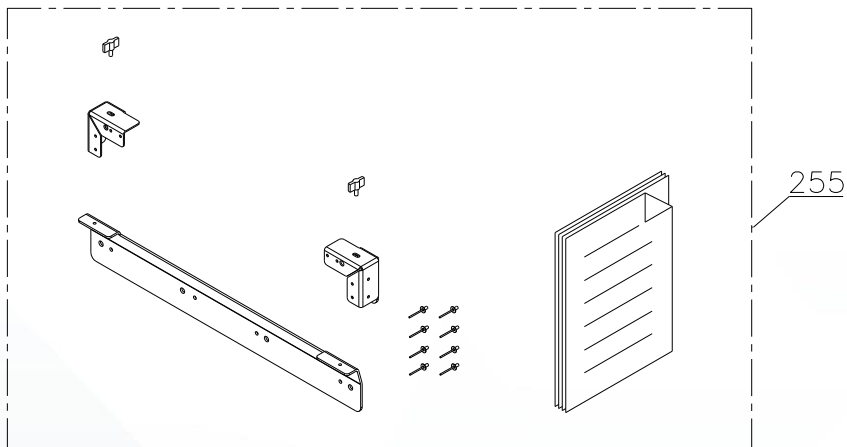
| Item no. | Description | Orig. used (pcs) | Gram part no. | Introduced | Terminated |
|----------|------------------------|------------------|---------------|------------|------------|
| 265 | Stacking kit with legs | 1 | 819581000 | 2022-02 | |

Stacking kit with castors



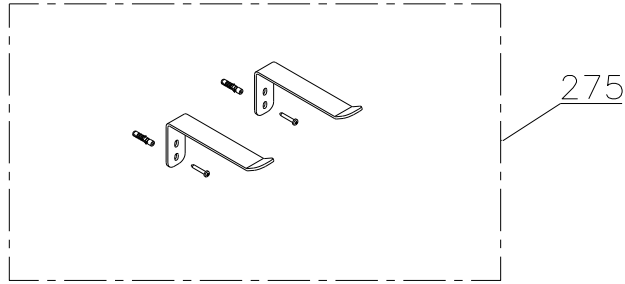
| Item no. | Description | Orig. used (pcs) | Gram part no. | Introduced | Terminated |
|----------|---------------------------|------------------|---------------|------------|------------|
| 270 | Stacking kit with castors | 1 | 819581002 | 2022-02 | |

Wall mounting kit



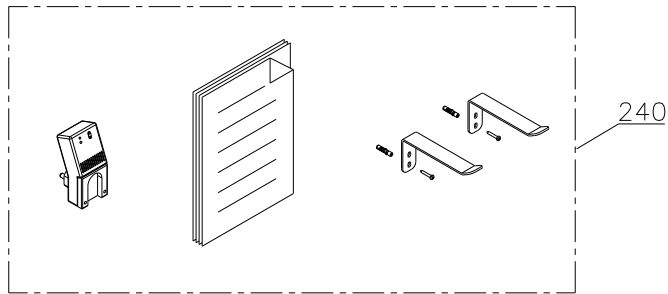
| Item no. | Description | Orig. used (pcs) | Gram part no. | Introduced | Terminated |
|----------|-------------------|------------------|---------------|------------|------------|
| 255 | Wall mounting kit | 1 | 819581003 | 2022-02 | |

Anti-tilt kit



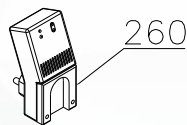
| Item no. | Description | Orig. used (pcs) | Gram part no. | Introduced | Terminated |
|----------|---------------|------------------|---------------|------------|------------|
| 275 | Anti-tilt kit | 1 | 819581051 | 2022-02 | |

DIN kit 58345



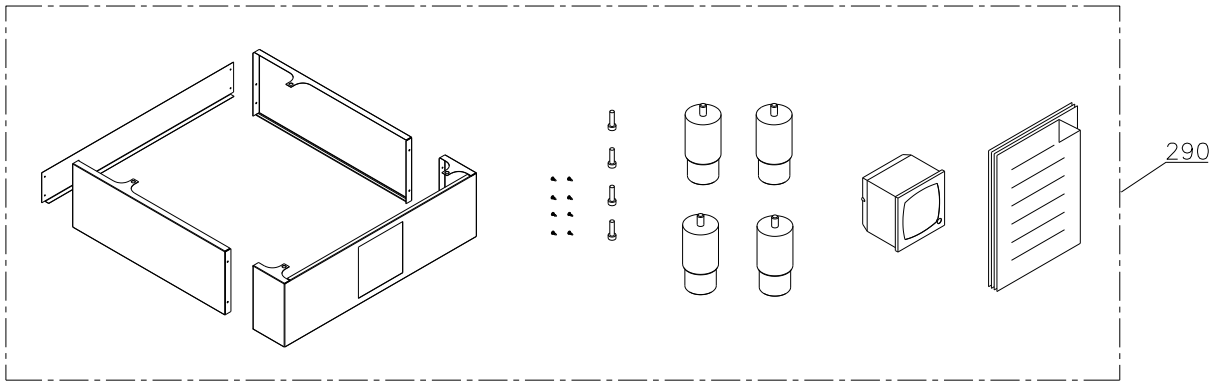
| Item no. | Description | Orig. used (pcs) | Gram part no. | Introduced | Terminated |
|----------|---|------------------|---------------|------------|------------|
| 240 | DIN kit complete (only for RR, DIN 58345 is not complete without low temp. protection). | 1 | 761234040 | 2022-02 | |

Power failure detector (Stromausfall-Melder)



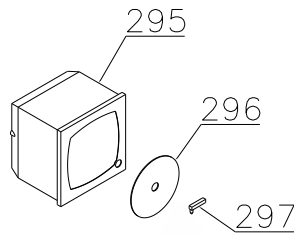
| Item no. | Description | Orig. used (pcs) | Gram part no. | Introduced | Terminated |
|----------|-----------------------------|------------------|---------------|------------|------------|
| 260 | Stromausfallmelder SAM-1000 | 1 | 765072733 | 2022-02 | |

Chart recorder kit



| Item no. | Description | Orig. used (pcs) | Gram part no. | Introduced | Terminated |
|----------|-------------------------------|------------------|---------------|------------|------------|
| 290 | Chart recorder kit, stainless | 1 | 819980028 | 2022-02 | |
| 290 | Chart recorder kit, white | 1 | 819980029 | 2022-02 | |

Chart recorder parts



| Item no. | Description | Orig. used (pcs) | Gram part no. | Introduced | Terminated |
|----------|---------------------------|------------------|---------------|------------|------------|
| 295 | Chart recorder | 1 | 761256438 | 2022-02 | |
| 296 | Chart recorder paper disc | 1 | 765080324 | 2022-02 | |
| 297 | Chart recorder pen | 1 | 765080325 | 2022-02 | |




Biostorage you can depend on

Log book

Continuous changes are introduced in the log book.

Version 001:

- **10. November 2022:** First release of this Spare Part document.

| | | | | | |
|--|---------------------------------|-------------------------------------|------------------------------|---------------|----------------------------|
|  Gram Scientific ApS | | 765042574 | | | Page (of): 23 of (24) |
| Status: Released ver. | Processed by: Jan B. Poulsen | Approved by: John B. S. Petersen | Approval date: 10-11-2022 | Document no.: | Rev.: 001 |



Biostorage you can depend on

Notes

| |
|--|
| |
| |
| |
| |
| |
| |
| |
| |
| |
| |